



P.I.T.[®]

Progressive Innovational Technology

EN

PRODUCT PASSPORT
USER'S MANUAL

RU

ПАСПОРТ ИЗДЕЛИЯ
ИНСТРУКЦИЯ ПОЛЬЗОВАТЕЛЯ

Cordless Mixer **Аккумуляторный Миксер**



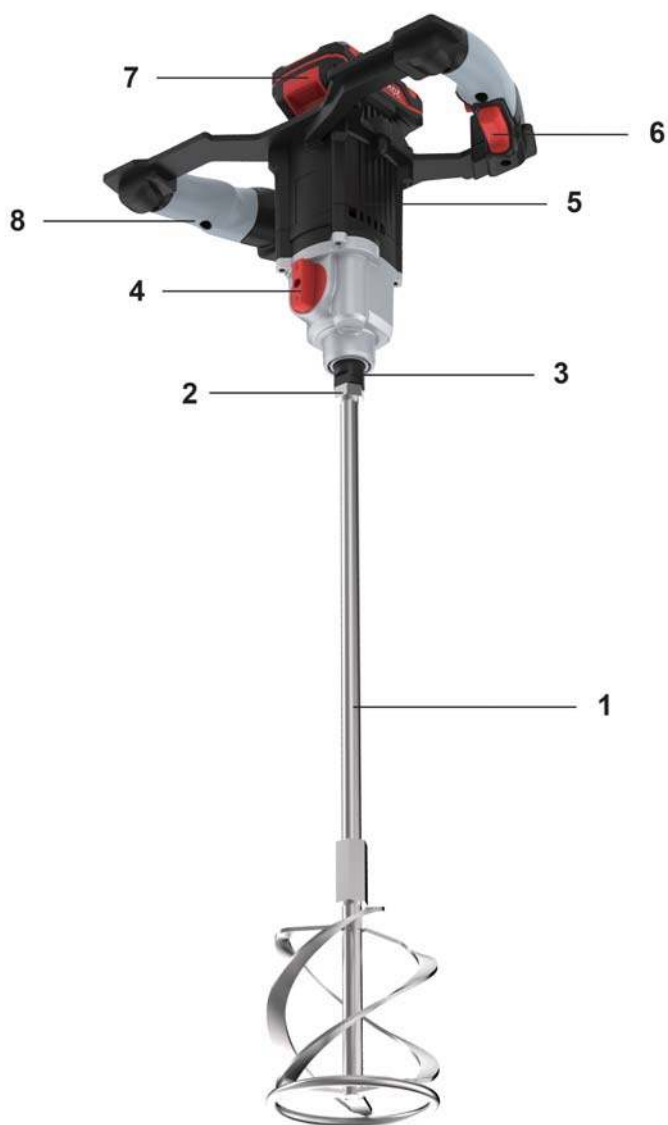
EAC

PHM20H-120A

PROGRESSIVE INNOVATIONAL TECHNOLOGY

ПРОГРЕССИВНЫЕ ИННОВАЦИОННЫЕ ТЕХНОЛОГИИ





English

Safety Notes

General Power Tool Safety Warnings

WARNING Read all safety warnings and all instructions.

Failure to follow the warnings and instructions may result in electric shock, fire and/or serious injury.

Save all warnings and instructions for future reference.

The term "power tool" in the warnings refers to your mainsoperated (corded) power tool or battery-operated (cordless) power tool.

Work area safety

- ▶ **Always hold the machine with both hands on the intended handles, take a secure stance and concentrate on the work.** Loss of control can cause personal injury.
- ▶ **Observe the maximum permitted agitator paddle diameter (see technical data).**
- ▶ **There will be reverse torque at the handle.** Always hold the machine with both hands on the intended handles, take a secure stance and concentrate on the work.
- ▶ **Secure the stirring container against turning.**
- ▶ **Always wear protective goggles, gloves, and a breathing mask when working with the machine.** Wear ear protectors when working for long periods of time. High noise levels over a prolonged period of time may affect your hearing.
- ▶ **Keep hands away from the rotating tool!**
- ▶ **Do not mix solvents or materials containing solvents with a flashpoint below 21 °c.** Hazardous vapours or explosive mixtures may form during processing.
- ▶ **Reducing dust exposure:** Some of the particles generated using this power tool may contain substances known to cause cancer, allergic reactions, respiratory diseases, birth defects or other reproductive harm. Some of these substances include: Lead (in paint containing lead), mineral dust (from bricks, concrete etc.), additives used for wood treatment (chromate, wood preservatives), some wood types (such as oak or beech dust), metals, asbestos.
- ▶ **The risk from exposure to such substances will depend on how long the user or nearby persons are being exposed.**
- ▶ **Do not let particles enter the body.**

- ▶ **Do the following to reduce exposure to these substances:** Ensure good ventilation of the workplace and wear appropriate protective equipment, such as respirators able to filter microscopically small particles.
 - ▶ **Observe the relevant guidelines for your material, staff, application and place of application (e.g. Occupational health and safety regulations, disposal).**
 - ▶ **Collect the generated particles at the source, avoid deposits in the surrounding area.**
 - ▶ **Use suitable accessories for special work.** In this way, fewer particles enter the environment in an uncontrolled manner.
 - ▶ **Use a suitable extraction unit.**
 - ▶ **Reduce dust exposure with the following measures:**
 - do not direct the escaping particles and the exhaust air stream at yourself or nearby Persons or on dust deposits.
 - use an extraction unit and/or air purifiers.
 - ensure good ventilation of the workplace and keep it clean using a vacuum cleaner. Sweeping or blowing stirs up dust.
 - vacuum or wash protective clothing. Do not blow, beat or brush.
 - ▶ **Special safety instructions for mains powered machines:** Before any adjustment, replacement of tools, maintenance or cleaning, please always remain at the switch off state. Avoid unintentional start up.
 - ▶ **Special safety instructions of cordless machines:** Remove the battery pack from the machine before making any adjustments, changing tools, maintaining or cleaning. Protect battery packs from water and moisture! Do not expose battery packs to fire! Do not use faulty or deformed battery packs!
- Do not open battery packs!**
Do not touch contacts or short-circuit battery packs!
- A slightly acidic, flammable fluid may leak from defective liion battery packs!
- If battery fluid leaks out and comes into contact with your skin, rinse immediately with plenty of water. If battery fluid leaks out and comes into contact with your eyes, wash them with clean water and seek medical attention immediately!
- Only send the battery pack if the housing is intact and no fluid is leaking. Remove the

battery pack from the machine for sending. Prevent the contacts from short-circuiting (e.g. By protecting them with adhesive tape).

Specified use

The stirrer is intended for stirring of powdery building materials such as mortar, plaster, adhesive as well as solvent-free paints, lacquer and similar substances.

Do not use for drilling!

The user bears sole responsibility for any damage caused by inappropriate use.

Generally accepted accident prevention regulations and the enclosed safety information must be observed.

Product Description and Specifications



Read all safety warnings and all instructions. Failure to follow the warnings and instructions may result in electric shock, fire and/or serious injury.

Intended Use

The electric manual mixer is designed for mixing components (dry mixture and liquid), for obtaining various building and finishing materials (concrete, plaster, tile and wallpaper adhesives, dispersed paints, etc.).

Technical Data

Model	PHM20H-120A
Voltage	DC 20 V
Rotating speed	0-420/0-710 r/min
Rotation diameter	φ100 mm
Thread specification	M14
Mixing rod length	590 mm
Compatible battery (availability varies by package)	PH20-2.0 (2 Ah) PH20-3.0 (3 Ah) PH20-4.0 (4 Ah) PH20-5.0 (5 Ah) PH20-6.0 (6 Ah)
Compatible charger (availability varies by package)	PH20-2.4 A PH20-3.0 A

Note

Since the product is constantly being improved, P.I.T. reserves the right to make changes to the specifications and product specifications specified here without prior notice.

Product Features

The numbering of the components shown refers to the representation of the power tool on the graphic pages.

1. Paddle
2. Adapter
3. Spindle
4. Thumb wheel
5. Motor housing
6. Start switch
7. Battery pack
8. Handle

Operation

Remove / insert battery

- ▶ **Warning:** Charge the battery pack before use. Before inserting the battery pack into the tool, always check to see that the on/off switch actuates properly and returns to the "off" Position when released. Operating a tool with a switch that does not actuate properly can result in loss of control and serious personal injury.
- ▶ **Remove:** Press the battery pack release button and remove battery pack.
- ▶ **To insert:** Slide the battery pack in until it engages.

Warning: If performance diminishes, recharge the battery pack. The ideal storage temperature is between 10°C and 30°C.

Battery pack

- ▶ The green light is the power indicator. When the charger is connected to ac household current, the green light is on.(-fig.4) .
- ▶ When the battery is properly inserted into the charger and charging, the green light is flash. When the battery is properly full charged, the red light is on.
- ▶ Normal charging time is 1 to 2 hours. The red light will turn off once the battery is fully charged. After the charging is completed, remove the battery pack from the charging stand immediately.
- ▶ When charging more than one battery pack, allow 15 minutes between charges.
- ▶ After many charge/discharge cycles, your battery will lose its ability to hold a charge. It should then be replaced. Dispose of batteries at an appropriate waste disposal facility. Do not throw batteries away in common trash receptacles.

Use

Tool change attach the stirrer:

- ▶ Wring the adapter(2) into the spindle(3) by hand. Remove the tool: Hold the spindle (3) using an open-ended wrench and fix the adapter using a second open-ended wrench. Load the paddle into the adapter with the hand.

- ▶ Select the gear (depending on features)
- ▶ Select the required gear by rotating the thumb wheel (4).
- ▶ Change speed when the machine is in the process of running down (briefly switch it on and off). I = 1. St gear (low speed, high torque) li = 2. Nd gear (high speed)
- ▶ Presetting the speed (depending on features)
- ▶ Select the maximum speed using the pre-selection wheel (4). Press in the trigger (6) to increase the rotational speed.
- ▶ Switching on/off, change speed
- ▶ Press locking button and keep pressed, then press the trigger (6). Press the trigger (6) to increase the rotational speed.
- ▶ To switch off release the trigger switch.

Cleaning

Remove the battery pack and the paddle. Regularly clean the machine housing with a soft cloth, preferably after each use. If the dirt does not come off, use a soft cloth moistened with soapy water. Never use solvents such as petrol, alcohol, ammonia water, etc. These solvents may damage the plastic parts.

Troubleshooting

Overload protection: The machine has shut down by itself. The device is too hot! Allow the machine to run at idle speed until it has cooled down.

The machine is not working: Check the battery pack power and charge the battery pack.

Maintenance and Service

Maintenance and Cleaning

After using for a period of time, you should check if the filter is dirty or not. If it is too dirty, you need to replace the filter with the following steps.

- ▶ Remove the battery pack, and the filter guard by screwdriver.
- ▶ Remove the dirty filter and replace it with a new one.
- ▶ reinstall the filter guard.

Never operate the spray gun without a filter! The dirt will be sucked into the appliance and cause a damage.

- ▶ **Before any work on the machine itself (e. g. maintenance, tool change, etc.) as well as during transport and storage, remove the battery from the power tool.** There is danger of injury when unintentionally actuating the On/Off switch.
- ▶ **For safe and proper working, always keep the machine and ventilation slots clean.**

When the battery is no longer operative, please refer to an authorized after-sales service agent for P.I.T. power tools.

Dispose of waste



Damaged power tools, batteries, accessories and waste packaging materials must be recycled and reused in an environmentally friendly manner.

Do not throw power tools and accumulators / batteries into general household waste!

Product serial number interpretation serial number

No.	1	7	0	7	3	0	0	3	9	5
	Year		month		day					

The first and second digits of the product serial number from left to right

Year of production, the third and fourth digits indicate the month of production, the

The fifth and sixth digits indicate the production day.

TERMS OF WARRANTY SERVICE

1. This Warranty Certificate is the only document that confirms your right to free warranty service. Without presenting this certificate, no claims are accepted. In case of loss or damage, the warranty certificate is not restored.

2. The warranty period for the electric machine is 12 months from the date of sale, during the warranty period the service department eliminates manufacturing defects and replaces parts that have failed due to the fault of the manufacturer free of charge. In the warranty repair, an equivalent operable product is not provided. Replaceable parts become property of service providers.

P.I.T is not liable for any damage that may be caused by operation of the electric machine.

3. Only clean tool accompanied with the following duly executed documents: this Warranty Certificate, Warranty Card, with all fields filled out, bearing the stamp of the trade organization and the signature of the buyer, shall be accepted for warranty repair.

4. Warranty repair is not performed in the following cases:

- in the absence of a Warranty Certificate and a Warranty Card or their incorrect execution;
- with failure of both a rotor and a stator of the electric engine, charring or melting of primary

winding of the welding machine transformer, charging or starting-charging device, with internal parts melting, burn down of electronic circuit boards;

- if a Warranty Certificate or a Warranty Card does not correspond to this electric machine or to the form established by the supplier;

- upon expiration of the warranty period;

- at attempts of opening or repair of the electric machine outside the warranty workshop; making constructive changes and lubrication of the tool during the warranty period, as evidenced, for example, by the creases on the spline parts of the fasteners of non-rotational parts.

- when using electric tools for production or other purposes connected with making a profit, as well as in case of malfunctions related to instability of the power network parameters exceeding the norms established by GOST;

- in the events of improper operation (use the electric machine for other than intended purposes, attachments to the electric machine of attachments, accessories, etc. not provided by the manufacturer);

- with mechanical damage to the case, power cord and in case of damages caused by aggressive agents and high and low temperatures, ingress of foreign objects in the ventilation grids of the electric machine, as well as in case of damage resulting from improper storage (corrosion of metal parts);

- natural wear and tear on the parts of the electric machine, as a result of long-term operation (determined on the basis of the signs of full or partial depletion of the specified mean life, great contamination, presence of rust outside and inside the electric machine, waste lubricant in the gearbox);

- use of the tool the purposes for other than specified in the operating instructions.

- mechanical damages to the tool;

- in the event of damages due to non-observance of the operating conditions specified in the instruction (see chapter "Safety Precautions" of the Manual).

- damage to the product due to non-observance of the rules of storage and transportation.

Preventive maintenance of electric machines (cleaning, washing, lubrication, replacement of anthers, piston and sealing rings) during the warranty period is a paid service.

The service life of the product is determined by the manufacturer and is 2 years from the date of manufacture.

The owner is notified of any possible violations of the above terms of warranty service upon completion of diagnostics in the service center.

The owner of the tool entrusts the diagnostic procedure to be conducted in the service center in his absence.

Do not operate the electric machine when there are signs of excessive heat, sparking, or noise in the gearbox. To determine the cause of the malfunction, the buyer should contact the warranty service center.

Malfunctions caused by late replacement of carbon brushes of the engine are eliminated at the expense of the buyer.

5. The warranty does not cover:

- replacement accessories (accessories and components), for example: batteries, discs, blades, drill bits, borers, chucks, chains, sprockets, collet clamps, guide rails, tension and fastening elements, trimming device heads, base of grinding and belt sander machines, hexagonal heads, etc.,

- fast wearing parts, for example: carbon brushes, drive belts, seals, protective covers, guiding rollers, guides, rubber seals, bearings, toothed belts and wheels, shanks, brake belts, starter ratchets and ropes, piston rings, etc. Their replacement during the warranty period is a paid service;

- power cords, in case of damage to the insulation, power cords are subject to mandatory replacement without the consent of the owner (paid service);

- tool case.

Русский**Общие указания по технике безопасности для электроинструментов**

! **ПРЕДУПРЕЖДЕНИЕ** Прочтите все указания и инструкции по технике безопасности. Несоблюдение указаний и инструкций по технике безопасности может стать причиной поражения электрическим током, пожара и тяжелых травм.

Сохраняйте эти инструкции и указания для будущего использования.

Использованное в настоящих инструкциях и указаниях понятие «электроинструмент» распространяется на электроинструмент с питанием от сети (с сетевым шнуром) и на аккумуляторный электроинструмент (без сетевого шнура).

Безопасность рабочего места

- ▶ **Всегда держите машину обеими руками за рукоятки.** Примите устойчивую позу и сосредоточьтесь на работе. Потеря управления может привести к травмам.
- ▶ **Соблюдайте максимально допустимый диаметр** насадки (см. Технические данные).
- ▶ **На рукоятке будет обратный крутящий момент**, поэтому ее нужно крепко держать обеими руками.
- ▶ **Зафиксируйте емкость с раствором от переворачивания.**
- ▶ **При работе с машиной всегда надевайте защитные очки, перчатки и дыхательную маску.** При длительной работе надевайте средства защиты органов слуха. Высокий уровень шума в течение длительного периода времени может повлиять на ваш слух.
- ▶ **Держите руки подальше** от вращающегося инструмента!
- ▶ **Не смешивайте растворители или материалы**, содержащие растворители с температурой воспламенения ниже 21 °С. Во время обработки могут образоваться опасные пары или взрывоопасные смеси.
- ▶ **Снижение воздействия пыли:** некоторые частицы, образующиеся при использовании этого электроинструмента, могут содержать вещества, которые вызывают рак, аллергические реакции, респираторные заболевания, врожденные дефекты или другие нарушения репродуктивной функции.
- ▶ **К некоторым из этих веществ отно-**

сятся: свинец (в краске, содержащей свинец), минеральная пыль (из кирпича, бетона и т. д.). Добавки, используемые для обработки древесины (хромат, консерванты для древесины), некоторые виды древесины (дубовая или буковая пыль), металлы, асбест.

- ▶ **Риск от воздействия таких веществ будет зависеть от того, как долго пользователь или другие люди взаимодействуют с ними.**
- ▶ **Не допускайте попадания частиц внутрь тела.**
- ▶ **Чтобы снизить воздействие этих веществ, выполните следующие действия:** Обеспечьте хорошую вентиляцию рабочего места и используйте соответствующие средства защиты. Например, респираторы, фильтрующие микроскопически мелкие частицы.
- ▶ **Соблюдайте соответствующие инструкции для персонала, области применения и места применения (например, правила техники безопасности и гигиены труда, утилизации).** Также соблюдайте меры предосторожности при работе с определенным материалом.
- ▶ **Собирайте образующиеся частицы у источника, избегайте отложений в окрестностях.**
- ▶ **Используйте подходящие принадлежности для специальных работ.** Таким образом, меньше частиц бесконтрольно попадает в окружающую среду.
- ▶ **Используйте подходящий вытяжной блок.**
- ▶ **Уменьшить воздействие пыли можно с помощью следующих мер:**
 - Не направлять выходящие частицы и поток отработанного воздуха на себя или находящихся рядом людей, а также на отложения пыли.
 - Использовать вытяжку и / или очистители воздуха.
 - Обеспечить хорошую вентиляцию рабочего места и держать его в чистоте, с помощью пылесоса. - Подметать или выдувать поднимающуюся пыль.
 - Стирать защитную одежду. Не использовать сухую чистку.
- ▶ **Особые инструкции по безопасности для электроинструментов:** перед любой регулировкой, заменой инструментов, техническим обслуживанием или очисткой всегда держите инструмент в

выключенном состоянии. Избегайте непреднамеренного запуска.

- ▶ **Особые инструкции по безопасности при работе с аккумуляторным инструментом:** снимите аккумуляторную батарею с инструмента перед выполнением любых регулировок, сменой инструментов, обслуживанием или чисткой. Берегите аккумуляторные блоки от воды и влаги!
- ▶ **Не подвергайте аккумуляторные батареи воздействию огня!**
- ▶ **Не используйте неисправные или деформированные аккумуляторные батареи!**
- ▶ **Не вскрывайте аккумуляторные батареи!**
- ▶ **Не прикасайтесь к контактам и не допускайте короткого замыкания аккумуляторных блоков!**
- ▶ Из поврежденных литий-ионных аккумуляторных батарей может вытекать слабокислая легковоспламеняющаяся жидкость!
- ▶ Если жидкость из аккумулятора вытекла и попала на кожу, немедленно промойте кожу большим количеством воды.
- ▶ Если жидкость из аккумулятора вытекла и попала в глаза, промойте их чистой водой и немедленно обратитесь за медицинской помощью!
- ▶ Перевозите аккумуляторную батарею только в том случае, если корпус не поврежден и жидкость не протекает. Для отправки снимите аккумулятор с инструмента.
- ▶ Не допускайте короткого замыкания контактов (например, защитив их липкой лентой).

Использование по назначению

Миксер предназначен для смешивания порошкообразных строительных материалов, таких как: строительный раствор, штукатурка, клей, не содержащие растворителей краски, лаки и подобные вещества. Не использовать для сверления!

Пользователь несет исключительную ответственность за любой ущерб, вызванный ненадлежащим использованием.

Необходимо соблюдать общепринятые правила техники безопасности и прилагаемую информацию по технике безопасности.

Описание и технические характеристики



Прочтите все предупреждения

по технике безопасности и все инструкции. Несоблюдение предупреждений и инструкций может привести к поражению электрическим током, возгоранию и / или серьезным травмам.

Рекомендуемое использование

Миксер ручной электрический предназначен для перемешивания компонентов (сухой смеси и жидкости), для получения различных строительных и отделочных материалов (бетона, штукатурки, плиточных и обойных клеев, дисперсных красок и т.д.).

Технические характеристики

Модель	RHM20H-120A
Напряжение	20 В
Скорость вращения	0-420/0-710 об/мин
Диаметр насадки	φ100 мм
Присоединительная резьба шпинделя	M14
Длина насадки	590 мм
Совместимый аккумулятор (наличие зависит от комплектации)	RH20-2.0 (2 Ач) RH20-3.0 (3 Ач) RH20-4.0 (4 Ач) RH20-5.0 (5 Ач) RH20-6.0 (6 Ач)
Совместимое зарядное устройство (доступность зависит от комплектации)	RH20-2.4 А RH20-3.0 А

Обратите внимание

Поскольку инструмент P.I.T. постоянно совершенствуется, компания оставляет за собой право вносить изменения в указанные здесь технические характеристики и технические характеристики продукции без предварительного уведомления.

Характеристики инструмента

Нумерация показанных компонентов относится к изображению электроинструмента на картинках.

1. Насадка
2. Адаптер
3. Шпиндель
4. Регулятор скорости
5. Корпус двигателя
6. Выключатель

7. Аккумулятор

8. Рукоять

Рабочий процесс

Извлечь / вставить аккумулятор

► **Предупреждение:** зарядите аккумулятор перед использованием. Перед тем, как вставить аккумуляторную батарею в инструмент, всегда проверяйте, что переключатель включения / выключения работает правильно и возвращается в положение «выключено» при отпускании. Работа с переключателем, который не срабатывает должным образом, может привести к потере управления и серьезным травмам.

► **Снятие батареи:** нажмите кнопку фиксатора на аккумуляторной батарее и извлеките аккумулятор.

► **Установка батареи:** вставьте аккумуляторную батарею до фиксации (щелчка).

Предупреждение: если производительность ухудшится, зарядите аккумулятор. Идеальная температура хранения аккумулятора от 10 ° C до 30 ° C.

Зарядка аккумуляторной батареи

► Зеленый свет - индикатор питания. Когда зарядное устройство подключено к сети переменного тока, горит зеленый свет.

► Когда аккумулятор правильно вставлен в зарядное устройство и заряжается, зеленый свет мигает. Когда аккумулятор полностью заряжен, горит красный индикатор.

► Нормальное время зарядки составляет от 1 до 2 часов.

► Красный индикатор погаснет, когда аккумулятор будет полностью заряжен. После завершения зарядки немедленно снимите аккумуляторную батарею с зарядной подставки.

► При зарядке нескольких аккумуляторных блоков подождите 15 минут между зарядками.

► После многих циклов зарядки / разрядки аккумулятор теряет способность удерживать заряд. Затем его следует заменить.

► Утилизируйте батареи на соответствующем предприятии по утилизации отходов в соответствии с местными нормами по утилизации. Не выбрасывайте батареи в обычные мусорные баки.

Использование

► **Присоединение венчика:** Вверните адаптер (2) в шпindel (3).

► **Снятие венчика:** удерживайте шпindel (3) с помощью гаечного ключа, а вторым гаечным ключом выкрутите насадку.

► **Выбор скорости** (в зависимости от цели): Установите нужную скорость, вращая переключатель скорости (4).

► Меняйте скорость после того, как инструмент полностью остановится. I - 1 передача (низкая скорость, высокий крутящий момент). II - 2 передача (высокая скорость).

► **Установка скорости (в зависимости от задач):** Установите необходимую скорость, вращая колесо регулировки (4). Нажмите на выключатель (6) для работы на выбранной скорости.

► **Включение / выключение, изменение скорости:** Нажмите и удерживайте кнопку блокировки, затем нажмите выключатель (6). Чем сильнее нажатие на выключатель, тем больше скорость вращения.

► Чтобы выключить инструмент, отпустите выключатель.

Чистка

Снимите аккумулятор и венчик. Регулярно очищайте корпус инструмента мягкой тканью, желательно после каждого использования. Если грязь не удаляется, используйте мягкую ткань, смоченную мыльной водой. Никогда не используйте растворители, такие как бензин, спирт, нашатырный спирт и т. Д. Эти растворители могут повредить пластиковые детали.

Возможные неисправности

Защита от перегрузки: машина отключилась во время работы. Аппарат слишком горячий! Дайте машине поработать на холостом ходу, пока она не остынет.

Машина не работает: проверьте зарядку аккумуляторной батареи, зарядите при необходимости.

Техобслуживание и сервис

Уход и чистка

Перед любыми работами (например, техническое обслуживание, смена инструмента и т.д.), а также во время транспортировки и хранения, снимите аккумулятор с электроинструмента. При непреднамеренном нажатии выключателя возникает опасность травмы.

Для безопасной и правильной работы всегда содержите машину и вентиляционные отверстия в чистоте.

Если аккумулятор больше не работает, обратитесь в авторизованный сервисный центр.

Утилизация

Отслужившие свой срок электроинструменты, принадлежности и упаковку следует сдавать на экологически чистую переработку отходов.



Утилизируйте электроинструмент

отдельно от бытового мусора!

РАСШИФРОВКА ДАТЫ ИЗГОТОВЛЕНИЯ ИЗДЕЛИЯ

№.

1	7	0	7	3	0	0	3	9	5
---	---	---	---	---	---	---	---	---	---

год месяц день

Дата изготовления изделия зашифрована в серийном номере, напечатанном на корпусе инструмента. Первые 2 цифры обозначают год выпуска, следующие 2 цифры – месяц и следующие 2 цифры – день.

УСЛОВИЯ ГАРАНТИЙНОГО ОБСЛУЖИВАНИЯ

1. Настоящее гарантийное свидетельство является единственным документом, подтверждающим ваше право на бесплатное гарантийное обслуживание. Без предъявления данного свидетельства претензии не принимаются. В случае утери или порчи гарантийное свидетельство не восстанавливается.

2. Гарантийный срок на электроинструмент, а также зарядные устройства и аккумуляторные батареи серии OnePower составляет 12 месяцев со дня продажи, в течение гарантийного срока сервисная служба бесплатно устраняет производственные дефекты и производит замену деталей, вышедших из строя по вине изготовителя. На период гарантийного ремонта эквивалентный исправный инструмент не предоставляется. Заменяемые детали переходят в собственность служб сервиса.

Компания P.I.T. не несет ответственности за вред, который может быть причинен при работе с электроинструментом.

3. В гарантийный ремонт инструмент принимается в чистом виде, при обязательном наличии надлежащим образом оформленных документов: настоящего гарантийного свидетельства, гарантийного талона, с полностью заполненными полями, штампом торговой организации и подписью покупателя.

4. Гарантийный ремонт не производится в следующих случаях:

- при отсутствии гарантийного свидетельства и гарантийного талона или неправильном их оформлении;
- при совместном выходе из строя якоря и статора электродвигателя, при обугливание или оплавлении первичной обмотки трансформатора сварочного аппарата, зарядного или пуско-зарядного устройства, при оплавлении внутренних деталей, прожиге электронных плат;
- если гарантийное свидетельство или талон не принадлежат данному электроинструменту или не соответствует установленному поставщиком образцу;
- по истечении срока гарантии;
- при попытках самостоятельного вскрытия или ремонта электроинструмента вне гарантийной мастерской;
- внесения конструктивных изменений и смазки инструмента в гарантийный период, о чем свидетельствуют, например, заломы на шлицевых частях крепежа корпусных деталей.
- при использовании электроинструмента в производственных или иных целях, связанных с получением прибыли, а также при возникновении неисправностей связанных с нестабильностью параметров электросети, превышающих нормы, установленные ГОСТ;
- при неправильной эксплуатации (использование электроинструмента не по назначению, установки на электроинструмент не предназначенных заводом-изготовителем насадок, дополнительных приспособлений и т.п.;
- при механических повреждениях корпуса, сетевого шнура и при повреждениях, вызванных воздействиями агрессивных средств и высоких и низких температур, попадании инородных предметов в вентиляционные решетки электроинструмента, а также при повреждениях, наступивших в результате неправильного хранения (коррозия металлических частей);
- при естественном износе деталей элек-

троинструмента, в результате длительной эксплуатации (определяется по признакам полной или частичной выработки ресурса, сильного загрязнения, ржавчины снаружи и внутри электроинструмента, отработанной смазки в редукторе);

- использование инструмента не по назначению, указанному в инструкции по эксплуатации.

- при механических повреждениях инструмента;

- при возникновении повреждений в связи с несоблюдением предусмотренных инструкцией условий эксплуатации (см. главу «Указание по технике безопасности» в инструкции).

- повреждение изделия вследствие несоблюдения правил хранения и транспортировки.

Профилактическое обслуживание электроинструмента (чистка, промывка, смазка, замена пыльников, поршневых и уплотнительных колец) в гарантийный период является платной услугой.

Срок службы изделия установлен изготовителем и составляет 2 года со дня изготовления.

О возможных нарушениях, изложенных выше условий гарантийного обслуживания, владельцу сообщается после проведения диагностики в сервисном центре.

Владелец инструмента доверяет проведение диагностики в сервисном центре в свое отсутствие.

Запрещается эксплуатация электроинструмента при проявлении признаков повышенного нагрева, искрения, а также шума в редукторной части. Для выяснения причин неисправности покупателю следует обратиться в гарантийную мастерскую.

Неисправности, вызванные несвоевременной заменой угольных щеток двигателя, устраняются за счет покупателя.

5.Гарантия не распространяется на:

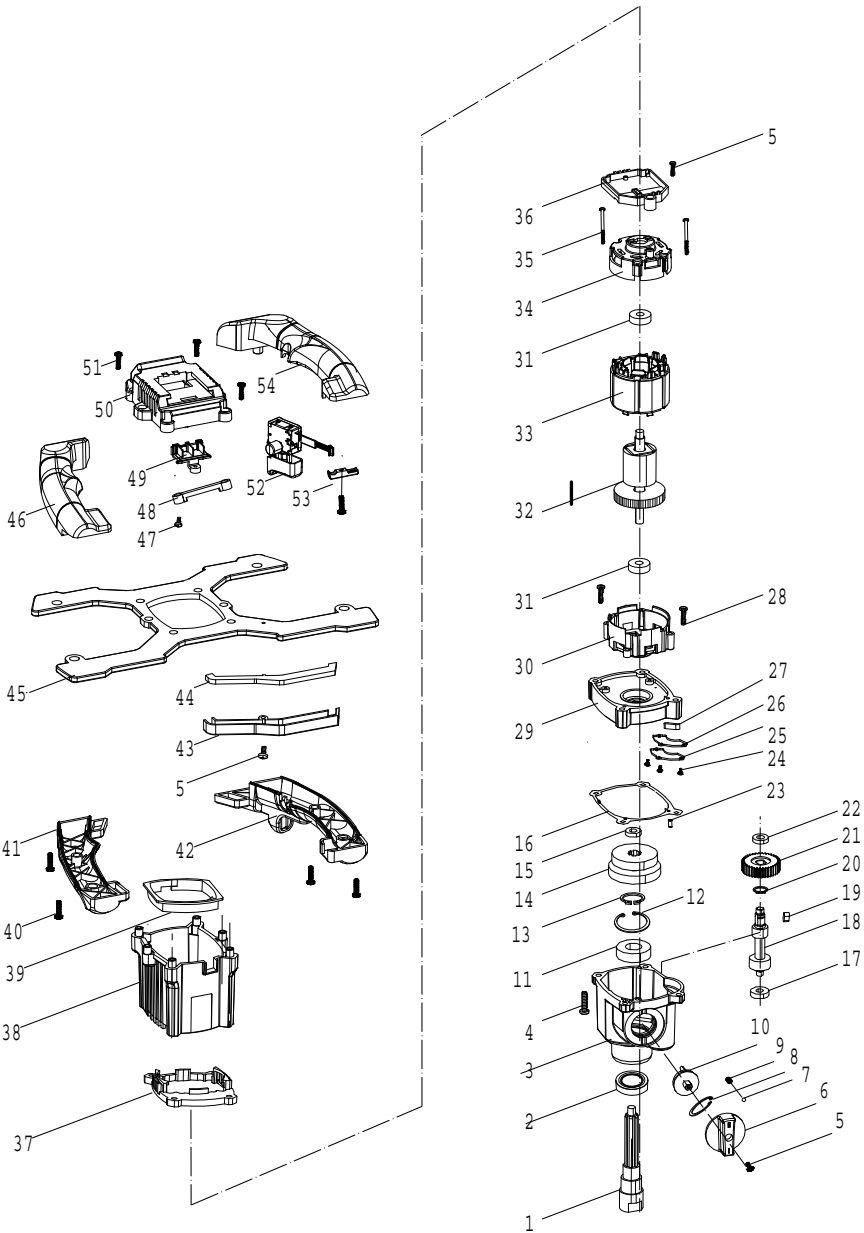
- сменные принадлежности (аксессуары и оснастка), например: аккумуляторы, диски, ножи, сверла, буры, патроны, цепи, звездочки, цанговые зажимы, шины, элементы натяжения и крепления, головки триммеров, подошвы шлифовальных и ленточных машин, фильтры, головки шестигранные и т.п.

- быстроизнашивающиеся детали, например: угольные щетки, приводные ремни, сальники, защитные кожухи, направляющие ролики, направляющие, резиновые

уплотнения, подшипники, зубчатые ремни и колеса, стволы, ленты тормоза, храповики и тросы стартеров, поршневые кольца и т.п.

Замена их в течение гарантийного срока является платной услугой.

-шнуры питания, в случае повреждения изоляции, шнуры питания подлежат обязательной замене без согласия владельца (услуга платная), в т.ч. корпуса инструмента.



ГАРАНТИЙНОЕ СВИДЕТЕЛЬСТВО НА ИНСТРУМЕНТ P.I.T.

Наименование изделия _____

Серийный номер изделия Серийный номер аккумулятора Серийный номер зарядного устройства

Дата продажи « ____ » _____

Наименование торговой организации _____

Уважаемый покупатель!

М.П.

Благодарим Вас за покупку инструмента P.I.T. и надеемся, что Вы останетесь довольны своим выбором.

При необходимости обслуживания Вашего изделия обращайтесь в авторизованные сервисные центры P.I.T. Все сервисные центры представлены на сайте www.pittools.ru

Внимание!

При покупке требуйте у продавца проверки работоспособности инструмента и его комплектности, а также заполнения гарантийного свидетельства, гарантийного талона (графы «Заполняются продавцом») и простановки печати торговой организации в гарантийном свидетельстве и гарантийных талонах.

Гарантия

На основании данного гарантийного свидетельства компания P.I.T. гарантирует отсутствие дефектов производственного характера.

Если в течение гарантийного срока в Вашем изделии обнаружатся указанные дефекты, то специализированные сервисные центры P.I.T. бесплатно отремонтируют изделие и заменят дефектные запасные части.

Гарантийный срок на электроинструменты P.I.T. составляет 12 месяцев со дня продажи.

«С условиями гарантийного обслуживания ознакомлен(а). Работоспособность и комплектность изделия проверены в моем присутствии. Претензий к качеству и внешнему виду не имею».

Подпись покупателя _____ Фамилия (разборчиво) _____

Телефон _____

P.I.T. WARRANTY CARD

Name _____ Product Serial Number _____ Battery Serial Number _____ Charger Serial Number _____ Sale Date _____ 20____ Date of Receipt from Repair _____ 20____	P.I.T. [®]	№ 1
	Name _____	_____
	Product Serial Number _____	_____
	Battery Serial Number _____	_____
	Charger Serial Number _____	_____
	Sale Date _____ 20____	_____
	(Filled out by a Seller)	Place of Seal
	WARRANTY REPAIR CARD	
	Date of Acceptance for Repair _____ 20____	_____
	Application for Repair _____	_____
Customer _____	_____	
Phone (Address) _____	_____	
Cause of Application _____	_____	
Date of Receipt from Repair _____ 20____	_____	
The Tool is checked in my presence _____	_____	
(The Order shall be performed in a Service Center) (Signature)	_____	
Name _____ Product Serial Number _____ Battery Serial Number _____ Charger Serial Number _____ Sale Date _____ 20____ Date of Receipt from Repair _____ 20____	P.I.T. [®]	№ 2
	Name _____	_____
	Product Serial Number _____	_____
	Battery Serial Number _____	_____
	Charger Serial Number _____	_____
	Sale Date _____ 20____	_____
	(Filled out by a Seller)	Place of Seal
	WARRANTY REPAIR CARD	
	Date of Acceptance for Repair _____ 20____	_____
	Application for Repair _____	_____
Customer _____	_____	
Phone (Address) _____	_____	
Cause of Application _____	_____	
Date of Receipt from Repair _____ 20____	_____	
The Tool is checked in my presence _____	_____	
(The Order shall be performed in a Service Center) (Signature)	_____	
Name _____ Product Serial Number _____ Battery Serial Number _____ Charger Serial Number _____ Sale Date _____ 20____ Date of Receipt from Repair _____ 20____	P.I.T. [®]	№ 3
	Name _____	_____
	Product Serial Number _____	_____
	Battery Serial Number _____	_____
	Charger Serial Number _____	_____
	Sale Date _____ 20____	_____
	(Filled out by a Seller)	Place of Seal
	WARRANTY REPAIR CARD	
	Date of Acceptance for Repair _____ 20____	_____
	Application for Repair _____	_____
Customer _____	_____	
Phone (Address) _____	_____	
Cause of Application _____	_____	
Date of Receipt from Repair _____ 20____	_____	
The Tool is checked in my presence _____	_____	
(The Order shall be performed in a Service Center) (Signature)	_____	

ГАРАНТИЙНЫЙ ТАЛОН P.I.T.

P.I.T. Талон № 1

Наименование _____
 Серийный номер изделия _____
 Серийный номер аккумулятора _____
 Серийный номер зарядного устройства _____
 Дата продажи « _____ » _____ 20__

МП

(Заполняется продавцом)
КАРТА ГАРАНТИЙНОГО РЕМОНА
 Дата приема ремонт _____ 20__
 Заявка на ремонт _____
 Заказчик _____
 Телефон (адрес) _____
 Причина обращения _____
 Дата получения от ремонта _____ 20__
 Инструмент проверен в моем присутствии _____
 (Заполняется в Сервисном центре) (Подпись) _____

Наименование _____
 Серийный номер изделия _____
 Серийный номер аккумулятора _____
 Серийный номер зарядного устройства _____
 Дата продажи _____ 20__
 Дата получения от ремонта _____ 20__

P.I.T. Талон № 2

Наименование _____
 Серийный номер изделия _____
 Серийный номер аккумулятора _____
 Серийный номер зарядного устройства _____
 Дата продажи « _____ » _____ 20__

МП

(Заполняется продавцом)
КАРТА ГАРАНТИЙНОГО РЕМОНА
 Дата приема ремонт _____ 20__
 Заявка на ремонт _____
 Заказчик _____
 Телефон (адрес) _____
 Причина обращения _____
 Дата получения от ремонта _____ 20__
 Инструмент проверен в моем присутствии _____
 (Заполняется в Сервисном центре) (Подпись) _____

Наименование _____
 Серийный номер изделия _____
 Серийный номер аккумулятора _____
 Серийный номер зарядного устройства _____
 Дата продажи _____ 20__
 Дата получения от ремонта _____ 20__

P.I.T. Талон № 3

Наименование _____
 Серийный номер изделия _____
 Серийный номер аккумулятора _____
 Серийный номер зарядного устройства _____
 Дата продажи « _____ » _____ 20__

МП

(Заполняется продавцом)
КАРТА ГАРАНТИЙНОГО РЕМОНА
 Дата приема ремонт _____ 20__
 Заявка на ремонт _____
 Заказчик _____
 Телефон (адрес) _____
 Причина обращения _____
 Дата получения от ремонта _____ 20__
 Инструмент проверен в моем присутствии _____
 (Заполняется в Сервисном центре) (Подпись) _____

Наименование _____
 Серийный номер изделия _____
 Серийный номер аккумулятора _____
 Серийный номер зарядного устройства _____
 Дата продажи _____ 20__
 Дата получения от ремонта _____ 20__



Поставщик / производитель: Xinjiang Longbo Industrial Co., Ltd./Синзянь Лонгбо Индастриал Ко., Лтд.

Адрес производства: Rm. 602, 6th Floor, No. 531, Weixing Road, Economic And Technological Development Zone, Urumqi, Xinjiang, China / Оф.602, 6 этаж, №531, Вейшинг Рoad, Экономик Энд Технолджикал Девелопмент Зон, Урумчи, Синзянь, Китай

Импортер/ организация, уполномоченная принимать претензии: ООО «Турбо-Тулс»

Юридический адрес: 614058, Пермский край, г. Пермь, ул. Фоминская, 36
info@pittools.ru

Сделано в КНР / Made in China

