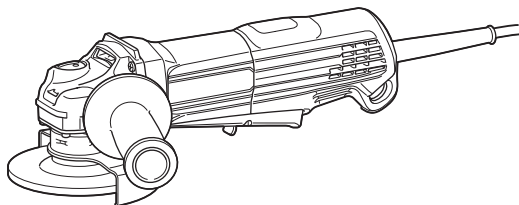
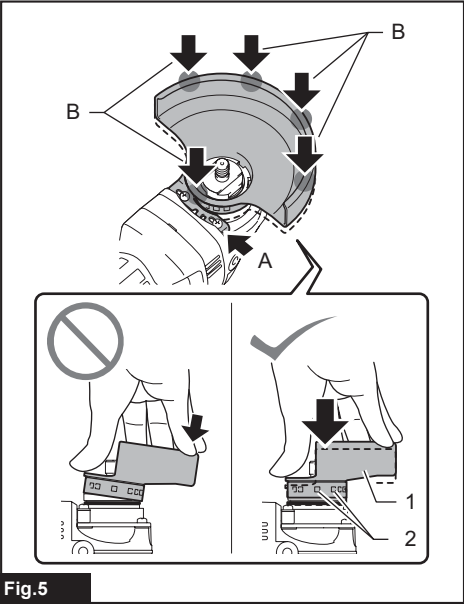
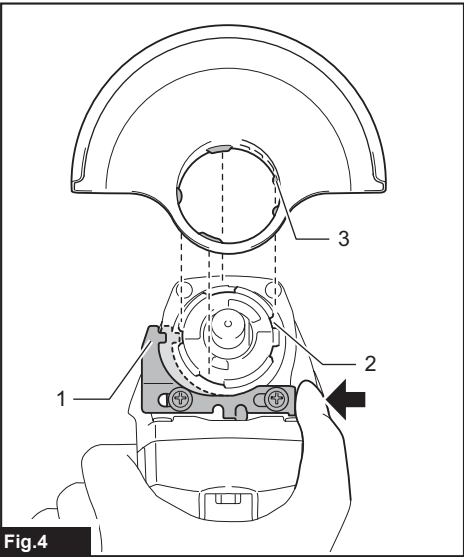
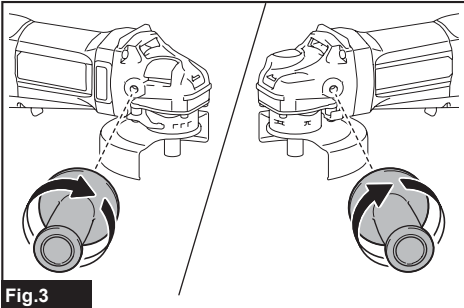
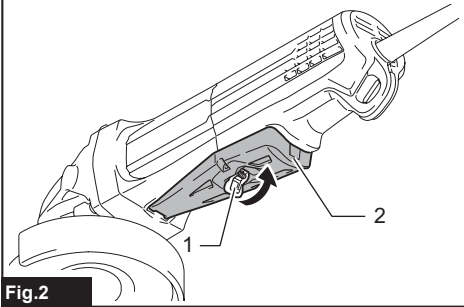
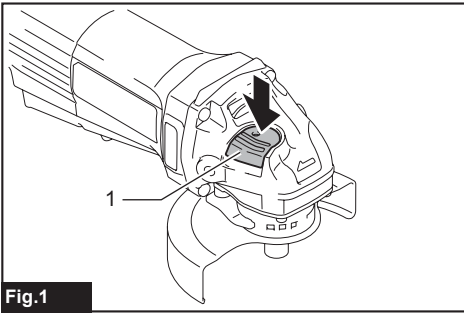




EN	Angle Grinder	INSTRUCTION MANUAL	6
SL	Kotni brusilnik	NAVODILA ZA UPORABO	15
SQ	Lëmues këndesh	MANUALI I PËRDORIMIT	24
BG	Ъглошлайф	РЪКОВОДСТВО ЗА ЕКСПЛОАТАЦИЯ	33
HR	Kutna brusilica	PRIRUČNIK S UPUTAMA	43
MK	Аголна брусилка	УПАТСТВО ЗА УПОТРЕБА	52
SR	Угаона брусаница	УПУТСТВО ЗА УПОТРЕБУ	62
RO	Polizor unghiular	MANUAL DE INSTRUCȚIUNI	72
UK	Кутова шліфувальна машина	ІНСТРУКЦІЯ З ЕКСПЛУАТАЦІЇ	82
RU	Угловая шлифмашина	РУКОВОДСТВО ПО ЭКСПЛУАТАЦИИ	93

GA4050
GA4050R
GA4550
GA4550R
GA5050
GA5050R





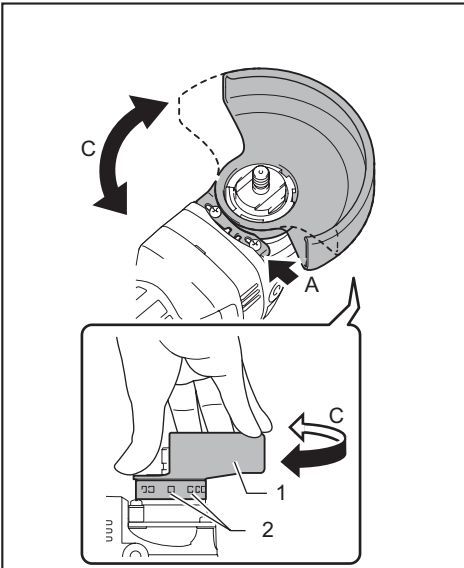


Fig.6

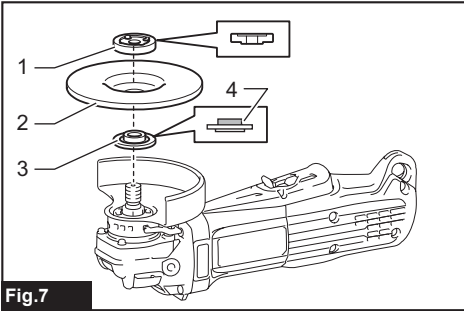


Fig.7

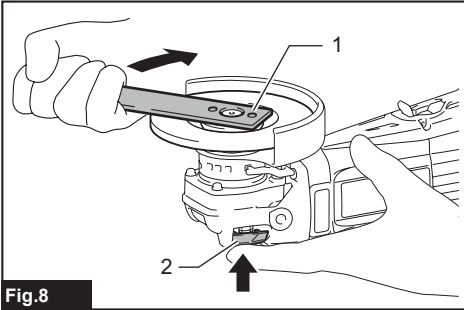


Fig.8

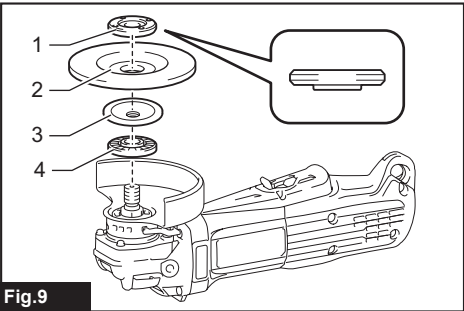


Fig.9

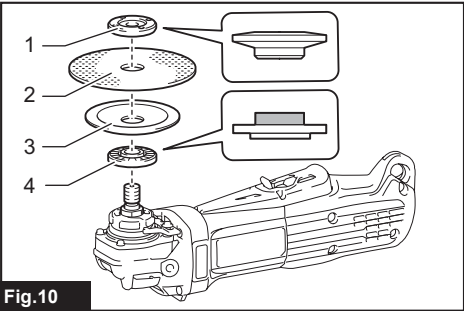


Fig.10

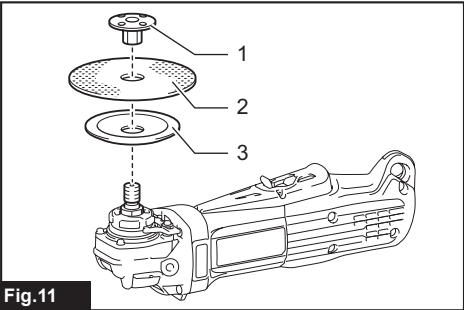


Fig.11

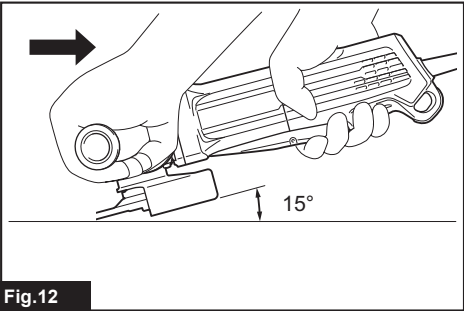


Fig.12

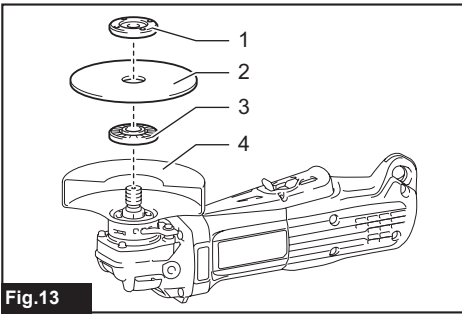


Fig. 13

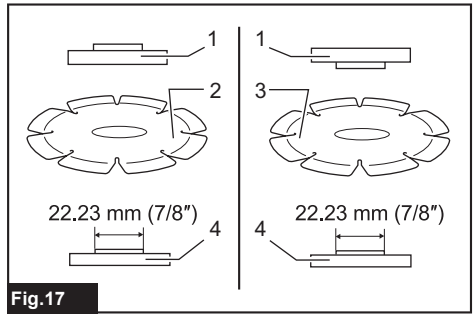


Fig. 17

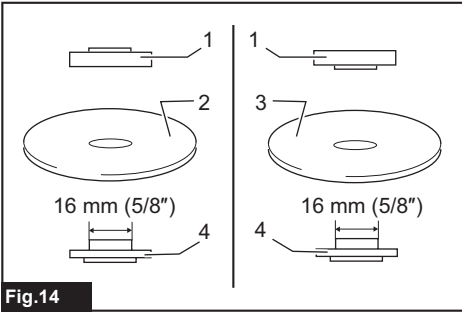


Fig. 14

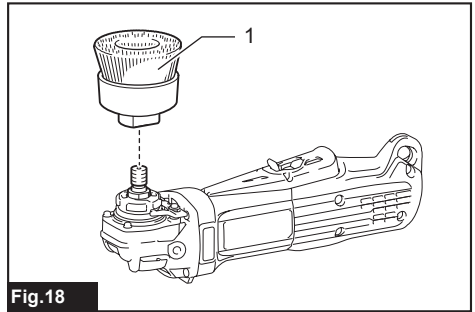


Fig. 18

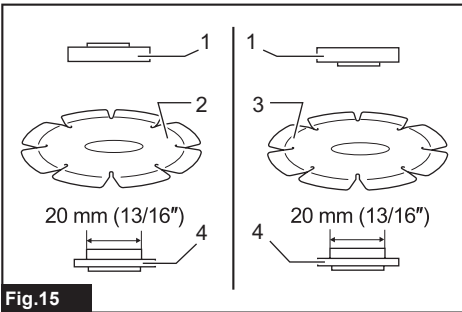


Fig. 15

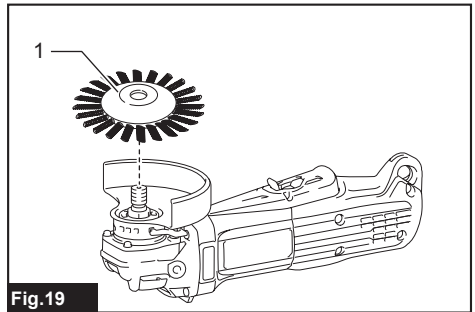


Fig. 19

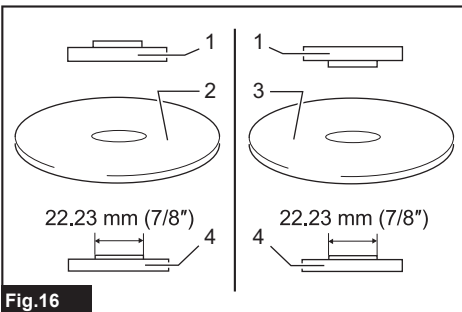


Fig. 16

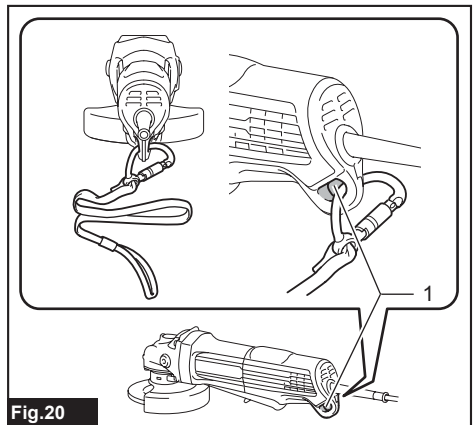


Fig. 20

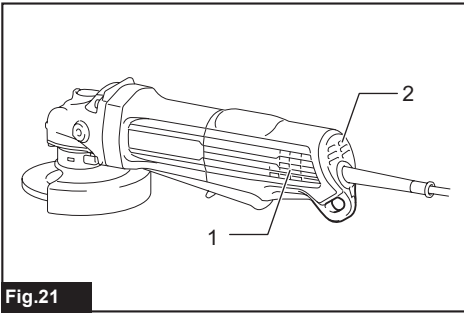


Fig.21

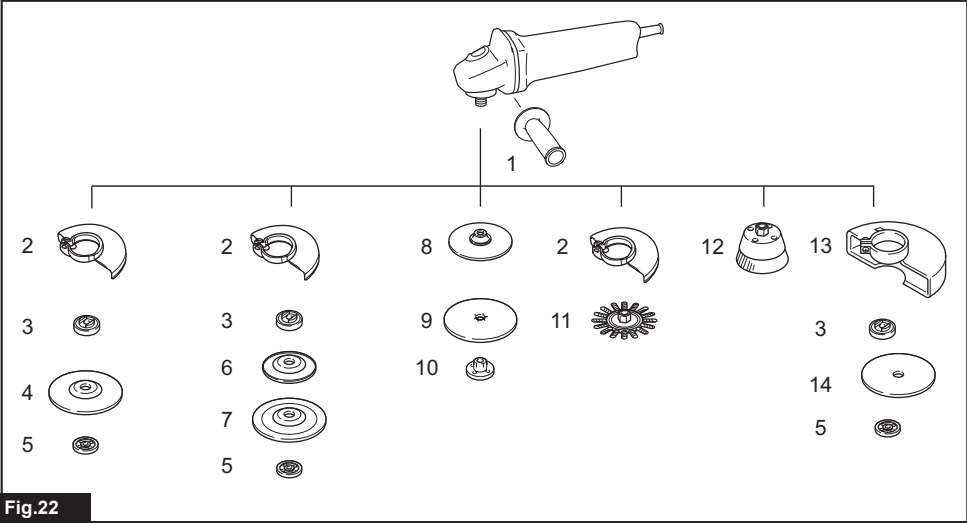


Fig.22

SPECIFICATIONS

Model:	GA4050	GA4050R	GA4550	GA4550R	GA5050	GA5050R
Wheel diameter	100 mm (4")		115 mm (4-1/2")		125 mm (5")	
Max. wheel thickness	6.4 mm (1/4")		7.2 mm (9/32")			
Spindle thread	M10		M14 or 5/8"			
Rated speed (n)	11,000 min ⁻¹					
Overall length	325 mm					
Net weight	2.3 - 2.6 kg		2.4 - 2.8 kg		2.5 - 2.8 kg	
Safety class	□/II					

- Due to our continuing program of research and development, the specifications herein are subject to change without notice.
- Specifications may differ from country to country.
- The weight may differ depending on the attachment(s). The lightest and heaviest combination, according to EPTA-Procedure 01/2014, are shown in the table.

Intended use

The tool is intended for grinding, sanding and cutting of metal and stone materials without the use of water.

Power supply

The tool should be connected only to a power supply of the same voltage as indicated on the nameplate, and can only be operated on single-phase AC supply. They are double-insulated and can, therefore, also be used from sockets without earth wire.

Noise

The typical A-weighted noise level determined according to EN60745-2-3:

Model	Sound pressure level (L _{pa}) : (dB(A))	Sound power level (L _{wa}) : (dB(A))	Uncertainty (K) : (dB(A))
GA4050	91	102	3
GA4050R	91	102	3
GA4550	91	102	3
GA4550R	91	102	3
GA5050	91	102	3
GA5050R	91	102	3

NOTE: The declared noise emission value(s) has been measured in accordance with a standard test method and may be used for comparing one tool with another.

NOTE: The declared noise emission value(s) may also be used in a preliminary assessment of exposure.

⚠ WARNING: Wear ear protection.

⚠ WARNING: The noise emission during actual use of the power tool can differ from the declared value(s) depending on the ways in which the tool is used especially what kind of workpiece is processed.

⚠ WARNING: Be sure to identify safety measures to protect the operator that are based on an estimation of exposure in the actual conditions of use (taking account of all parts of the operating cycle such as the times when the tool is switched off and when it is running idle in addition to the trigger time).

Vibration

The vibration total value (tri-axial vector sum) determined according to EN60745-2-3:

Work mode: surface grinding with normal side grip

Model	Vibration emission ($a_{hv, AG}$) : (m/s ²)	Uncertainty (K) : (m/s ²)
GA4050	6.5	1.5
GA4050R	6.5	1.5
GA4550	7.0	1.5
GA4550R	7.0	1.5
GA5050	7.5	1.5
GA5050R	7.5	1.5

Work mode: surface grinding with anti vibration side grip

Model	Vibration emission ($a_{hv, AG}$) : (m/s ²)	Uncertainty (K) : (m/s ²)
GA4050	5.5	1.5
GA4050R	5.5	1.5
GA4550	7.0	1.5
GA4550R	7.0	1.5
GA5050	8.5	1.5
GA5050R	8.5	1.5

Work mode: disc sanding with normal side grip

Model	Vibration emission ($a_{hv, AG}$) : (m/s ²)	Uncertainty (K) : (m/s ²)
GA4050	2.5 m/s ² or less	1.5
GA4050R	2.5 m/s ² or less	1.5
GA4550	2.5	1.5
GA4550R	2.5	1.5
GA5050	2.5 m/s ² or less	1.5
GA5050R	2.5 m/s ² or less	1.5

Work mode: disc sanding with anti vibration side grip

Model	Vibration emission ($a_{hv, AG}$) : (m/s ²)	Uncertainty (K) : (m/s ²)
GA4050	2.5 m/s ² or less	1.5
GA4050R	2.5 m/s ² or less	1.5
GA4550	2.5 m/s ² or less	1.5
GA4550R	2.5 m/s ² or less	1.5
GA5050	2.5 m/s ² or less	1.5
GA5050R	2.5 m/s ² or less	1.5

NOTE: The declared vibration total value(s) has been measured in accordance with a standard test method and may be used for comparing one tool with another.

NOTE: The declared vibration total value(s) may also be used in a preliminary assessment of exposure.

⚠ WARNING: The vibration emission during actual use of the power tool can differ from the declared value(s) depending on the ways in which the tool is used especially what kind of workpiece is processed.

⚠ WARNING: Be sure to identify safety measures to protect the operator that are based on an estimation of exposure in the actual conditions of use (taking account of all parts of the operating cycle such as the times when the tool is switched off and when it is running idle in addition to the trigger time).

⚠ WARNING: The declared vibration emission value is used for main applications of the power tool. However if the power tool is used for other applications, the vibration emission value may be different.

EC Declaration of Conformity

For European countries only

The EC declaration of conformity is included as Annex A to this instruction manual.

SAFETY WARNINGS

General power tool safety warnings

⚠ WARNING: Read all safety warnings, instructions, illustrations and specifications provided with this power tool. Failure to follow all instructions listed below may result in electric shock, fire and/or serious injury.

Save all warnings and instructions for future reference.

The term "power tool" in the warnings refers to your mains-operated (corded) power tool or battery-operated (cordless) power tool.

Grinder safety warnings

Safety Warnings Common for Grinding, Sanding, Wire Brushing, or Abrasive Cutting-Off Operations:

- 1. This power tool is intended to function as a grinder, sander, wire brush or cut-off tool. Read all safety warnings, instructions, illustrations and specifications provided with this power tool.** Failure to follow all instructions listed below may result in electric shock, fire and/or serious injury.
- 2. Operations such as polishing are not recommended to be performed with this power tool.** Operations for which the power tool was not designed may create a hazard and cause personal injury.
- 3. Do not use accessories which are not specifically designed and recommended by the tool manufacturer.** Just because the accessory can be attached to your power tool, it does not assure safe operation.
- 4. The rated speed of the accessory must be at least equal to the maximum speed marked on the power tool.** Accessories running faster than their rated speed can break and fly apart.
- 5. The outside diameter and the thickness of your accessory must be within the capacity rating of your power tool.** Incorrectly sized accessories cannot be adequately guarded or controlled.
- 6. Threaded mounting of accessories must match the grinder spindle thread. For accessories mounted by flanges, the arbour hole of the accessory must fit the locating diameter of the flange.** Accessories that do not match the mounting hardware of the power tool will run out of balance, vibrate excessively and may cause loss of control.
- 7. Do not use a damaged accessory. Before each use inspect the accessory such as abrasive wheels for chips and cracks, backing pad for cracks, tear or excess wear, wire brush for loose or cracked wires. If power tool or accessory is dropped, inspect for damage or install an undamaged accessory. After inspecting and installing an accessory, position yourself and bystanders away from the plane of the rotating accessory and run the power tool at maximum no-load speed for one minute.** Damaged accessories will normally break apart during this test time.
- 8. Wear personal protective equipment. Depending on application, use face shield, safety goggles or safety glasses. As appropriate, wear dust mask, hearing protectors, gloves and workshop apron capable of stopping small abrasive or workpiece fragments.** The eye protection must be capable of stopping flying debris generated by various operations. The dust mask or respirator must be capable of filtrating particles generated by your operation. Prolonged exposure to high intensity noise may cause hearing loss.
- 9. Keep bystanders a safe distance away from work area. Anyone entering the work area must wear personal protective equipment.** Fragments of workpiece or of a broken accessory may fly away and cause injury beyond immediate area of operation.
- 10. Hold the power tool by insulated gripping surfaces only, when performing an operation where the cutting accessory may contact hidden wiring or its own cord.** Cutting accessory contacting a "live" wire may make exposed metal parts of the power tool "live" and could give the operator an electric shock.
- 11. Position the cord clear of the spinning accessory.** If you lose control, the cord may be cut or snagged and your hand or arm may be pulled into the spinning accessory.
- 12. Never lay the power tool down until the accessory has come to a complete stop.** The spinning accessory may grab the surface and pull the power tool out of your control.
- 13. Do not run the power tool while carrying it at your side.** Accidental contact with the spinning accessory could snag your clothing, pulling the accessory into your body.
- 14. Regularly clean the power tool's air vents.** The motor's fan will draw the dust inside the housing and excessive accumulation of powdered metal may cause electrical hazards.
- 15. Do not operate the power tool near flammable materials.** Sparks could ignite these materials.
- 16. Do not use accessories that require liquid coolants.** Using water or other liquid coolants may result in electrocution or shock.

Kickback and Related Warnings

Kickback is a sudden reaction to a pinched or snagged rotating wheel, backing pad, brush or any other accessory. Pinching or snagging causes rapid stalling of the rotating accessory which in turn causes the uncontrolled power tool to be forced in the direction opposite of the accessory's rotation at the point of the binding.

For example, if an abrasive wheel is snagged or pinched by the workpiece, the edge of the wheel that is entering into the pinch point can dig into the surface of the material causing the wheel to climb out or kick out. The wheel may either jump toward or away from the operator, depending on direction of the wheel's movement at the point of pinching. Abrasive wheels may also break under these conditions. Kickback is the result of power tool misuse and/or incorrect operating procedures or conditions and can be avoided by taking proper precautions as given below.

1. **Maintain a firm grip on the power tool and position your body and arm to allow you to resist kickback forces. Always use auxiliary handle, if provided, for maximum control over kickback or torque reaction during start-up.** The operator can control torque reactions or kickback forces, if proper precautions are taken.
2. **Never place your hand near the rotating accessory.** Accessory may kickback over your hand.
3. **Do not position your body in the area where power tool will move if kickback occurs.** Kickback will propel the tool in direction opposite to the wheel's movement at the point of snagging.
4. **Use special care when working corners, sharp edges etc. Avoid bouncing and snagging the accessory.** Corners, sharp edges or bouncing have a tendency to snag the rotating accessory and cause loss of control or kickback.
5. **Do not attach a saw chain woodcarving blade or toothed saw blade.** Such blades create frequent kickback and loss of control.

Safety Warnings Specific for Grinding and Abrasive Cutting-Off Operations:

1. **Use only wheel types that are recommended for your power tool and the specific guard designed for the selected wheel.** Wheels for which the power tool was not designed cannot be adequately guarded and are unsafe.
2. **The grinding surface of centre depressed wheels must be mounted below the plane of the guard lip.** An improperly mounted wheel that projects through the plane of the guard lip cannot be adequately protected.
3. **The guard must be securely attached to the power tool and positioned for maximum safety, so the least amount of wheel is exposed towards the operator.** The guard helps to protect the operator from broken wheel fragments, accidental contact with wheel and sparks that could ignite clothing.
4. **Wheels must be used only for recommended applications. For example: do not grind with the side of cut-off wheel.** Abrasive cut-off wheels are intended for peripheral grinding, side forces applied to these wheels may cause them to shatter.
5. **Always use undamaged wheel flanges that are of correct size and shape for your selected wheel.** Proper wheel flanges support the wheel thus reducing the possibility of wheel breakage. Flanges for cut-off wheels may be different from grinding wheel flanges.
6. **Do not use worn down wheels from larger power tools.** Wheel intended for larger power tool is not suitable for the higher speed of a smaller tool and may burst.

Additional Safety Warnings Specific for Abrasive Cutting-Off Operations:

1. **Do not "jam" the cut-off wheel or apply excessive pressure. Do not attempt to make an excessive depth of cut.** Overstressing the wheel increases the loading and susceptibility to twisting or binding of the wheel in the cut and the possibility of kickback or wheel breakage.
2. **Do not position your body in line with and behind the rotating wheel.** When the wheel, at the point of operation, is moving away from your body, the possible kickback may propel the spinning wheel and the power tool directly at you.
3. **When wheel is binding or when interrupting a cut for any reason, switch off the power tool and hold the power tool motionless until the wheel comes to a complete stop. Never attempt to remove the cut-off wheel from the cut while the wheel is in motion otherwise kickback may occur.** Investigate and take corrective action to eliminate the cause of wheel binding.
4. **Do not restart the cutting operation in the workpiece. Let the wheel reach full speed and carefully re-enter the cut.** The wheel may bind, walk up or kickback if the power tool is restarted in the workpiece.
5. **Support panels or any oversized workpiece to minimize the risk of wheel pinching and kickback.** Large workpieces tend to sag under their own weight. Supports must be placed under the workpiece near the line of cut and near the edge of the workpiece on both sides of the wheel.
6. **Use extra caution when making a "pocket cut" into existing walls or other blind areas.** The protruding wheel may cut gas or water pipes, electrical wiring or objects that can cause kickback.

Safety Warnings Specific for Sanding Operations:

1. **Do not use excessively oversized sanding disc paper. Follow manufacturers recommendations, when selecting sanding paper.** Larger sanding paper extending beyond the sanding pad presents a laceration hazard and may cause snagging, tearing of the disc or kickback.

Safety Warnings Specific for Wire Brushing Operations:

1. **Be aware that wire bristles are thrown by the brush even during ordinary operation. Do not overstress the wires by applying excessive load to the brush.** The wire bristles can easily penetrate light clothing and/or skin.
2. **If the use of a guard is recommended for wire brushing, do not allow any interference of the wire wheel or brush with the guard.** Wire wheel or brush may expand in diameter due to work load and centrifugal forces.

Additional Safety Warnings:

1. **When using depressed centre grinding wheels, be sure to use only fiberglass-reinforced wheels.**
2. **NEVER USE Stone Cup type wheels with this grinder.** This grinder is not designed for these types of wheels and the use of such a product may result in serious personal injury.

3. Be careful not to damage the spindle, the flange (especially the installing surface) or the lock nut. Damage to these parts could result in wheel breakage.
4. Make sure the wheel is not contacting the workpiece before the switch is turned on.
5. Before using the tool on an actual workpiece, let it run for a while. Watch for vibration or wobbling that could indicate poor installation or a poorly balanced wheel.
6. Use the specified surface of the wheel to perform the grinding.
7. Do not leave the tool running. Operate the tool only when hand-held.
8. Do not touch the workpiece immediately after operation; it may be extremely hot and could burn your skin.
9. Do not touch accessories immediately after operation; it may be extremely hot and could burn your skin.
10. Observe the instructions of the manufacturer for correct mounting and use of wheels. Handle and store wheels with care.
11. Do not use separate reducing bushings or adaptors to adapt large hole abrasive wheels.
12. Use only flanges specified for this tool.
13. For tools intended to be fitted with threaded hole wheel, ensure that the thread in the wheel is long enough to accept the spindle length.
14. Check that the workpiece is properly supported.
15. Pay attention that the wheel continues to rotate after the tool is switched off.
16. If working place is extremely hot and humid, or badly polluted by conductive dust, use a short-circuit breaker (30 mA) to assure operator safety.
17. Do not use the tool on any materials containing asbestos.
18. When use cut-off wheel, always work with the dust collecting wheel guard required by domestic regulation.
19. Cutting discs must not be subjected to any lateral pressure.
20. Do not use cloth work gloves during operation. Fibers from cloth gloves may enter the tool, which causes tool breakage.

SAVE THESE INSTRUCTIONS.

⚠WARNING: DO NOT let comfort or familiarity with product (gained from repeated use) replace strict adherence to safety rules for the subject product. MISUSE or failure to follow the safety rules stated in this instruction manual may cause serious personal injury.

FUNCTIONAL DESCRIPTION

⚠CAUTION: Always be sure that the tool is switched off and unplugged before adjusting or checking function on the tool.

Shaft lock

Press the shaft lock to prevent spindle rotation when installing or removing accessories.

► Fig.1: 1. Shaft lock

NOTICE: Never actuate the shaft lock when the spindle is moving. The tool may be damaged.

Switch action

⚠CAUTION: Before plugging in the tool, always check to see that the switch trigger actuates properly and returns to the "OFF" position when released.

⚠CAUTION: Do not pull the switch lever forcibly without pressing the lock-off button. The switch may break.

To prevent the switch lever from accidentally pulled, a lock-off lever is provided. To start the tool, pull the lock-off lever toward the operator, and then pull the switch lever. Release the switch lever to stop.

► Fig.2: 1. Lock-off lever 2. Switch lever

Unintentional restart proof

Only for model GA4050R / GA4550R / GA5050R

The tool does not start while pulling the switch lever even when the tool is plugged. To start the tool, first release the switch lever. Then pull the lock-off lever, and pull the switch lever.

NOTE: Wait more than one second before restarting the tool when unintentional restart proof functions.

Soft start feature

Only for model GA4050R / GA4550R / GA5050R

Soft start feature reduces starting reaction.

ASSEMBLY

⚠CAUTION: Always be sure that the tool is switched off and unplugged before carrying out any work on the tool.

Installing side grip (handle)

⚠CAUTION: Always be sure that the side grip is installed securely before operation.

Screw the side grip securely on the position of the tool as shown in the figure.

► Fig.3

Installing or removing wheel guard

⚠ WARNING: When using a depressed center wheel, flap disc, flex wheel or wire wheel brush, the wheel guard must be fitted on the tool so that the closed side of the guard always points toward the operator.

⚠ WARNING: Make sure that the wheel guard is securely locked by the lock lever with one of the holes on the wheel guard.

⚠ WARNING: When using an abrasive cut-off / diamond wheel, be sure to use only the special wheel guard designed for use with cut-off wheels. (In some European countries, when using a diamond wheel, the ordinary guard can be used. Follow the regulations in your country.)

For depressed center wheel, flap disc, flex wheel, wire wheel brush / abrasive cut-off wheel, diamond wheel

1. While pushing the lock lever, mount the wheel guard with the protrusions on the wheel guard aligned with the notches on the bearing box.

► Fig.4: 1. Lock lever 2. Notch 3. Protrusion

2. While pushing the lock lever toward A, hold down the portions B of the wheel guard as shown in the figure.

► Fig.5: 1. Wheel guard 2. Hole

NOTE: Push down the wheel guard straight. Otherwise, you cannot secure the wheel guard.

3. While pushing the lock lever, rotate the wheel guard toward C, and then, change the angle of the wheel guard according to the work so that the operator can be protected. Align the lock lever with one of the holes in the wheel guard, and then release the lock lever to lock the wheel guard.

► Fig.6: 1. Wheel guard 2. Hole

To remove wheel guard, follow the installation procedure in reverse.

Installing or removing depressed center wheel or flap disc

Optional accessory

⚠ WARNING: When using a depressed center wheel or flap disc, the wheel guard must be fitted on the tool so that the closed side of the guard always points toward the operator.

⚠ CAUTION: Make sure that the mounting part of the inner flange fits into the inner diameter of the depressed center wheel / flap disc perfectly. Mounting the inner flange on the wrong side may result in the dangerous vibration.

Mount the inner flange onto the spindle. Make sure to fit the dented part of the inner flange onto the straight part at the bottom of the spindle.

Fit the depressed center wheel / flap disc on the inner flange and screw the lock nut onto the spindle.

► Fig.7: 1. Lock nut 2. Depressed center wheel 3. Inner flange 4. Mounting part

To tighten the lock nut, press the shaft lock firmly so that the spindle cannot revolve, then use the lock nut wrench and securely tighten clockwise.

► Fig.8: 1. Lock nut wrench 2. Shaft lock

To remove the wheel, follow the installation procedure in reverse.

Installing or removing flex wheel

Optional accessory

⚠ WARNING: Always use supplied guard when flex wheel is on tool. Wheel can shatter during use and guard helps to reduce chances of personal injury.

► Fig.9: 1. Lock nut 2. Flex wheel 3. Back up pad 4. Inner flange

Follow instructions for depressed center wheel but also use back up pad over wheel. See order of assembly on accessories page in this manual.

Installing or removing abrasive disc

Optional accessory

For 100 mm (4") model

► Fig.10: 1. Sanding lock nut 2. Abrasive disc 3. Rubber pad 4. Inner flange

1. Mount the inner flange onto the spindle.
2. Mount the rubber pad onto the spindle.
3. Fit the disc on the rubber pad and screw the sanding lock nut onto the spindle.
4. Hold the spindle with the shaft lock, and securely tighten the sanding lock nut clockwise with the lock nut wrench.

For 115 mm (4 - 1/2") / 125 mm (5") model

► Fig.11: 1. Sanding lock nut 2. Abrasive disc 3. Rubber pad

1. Mount the rubber pad onto the spindle.
2. Fit the disc on the rubber pad and screw the sanding lock nut onto the spindle.
3. Hold the spindle with the shaft lock, and securely tighten the sanding lock nut clockwise with the lock nut wrench.

To remove the disc, follow the installation procedure in reverse.

NOTE: Use sander accessories specified in this manual. These must be purchased separately.

OPERATION

⚠ WARNING: It should never be necessary to force the tool. The weight of the tool applies adequate pressure. Forcing and excessive pressure could cause dangerous wheel breakage.

⚠ WARNING: ALWAYS replace wheel if tool is dropped while grinding.

⚠ WARNING: NEVER bang or hit grinding disc or wheel onto work.

⚠ WARNING: Avoid bouncing and snagging the wheel, especially when working corners, sharp edges etc. This can cause loss of control and kickback.

⚠ WARNING: NEVER use tool with wood cutting blades and other saw blades. Such blades when used on a grinder frequently kick and cause loss of control leading to personal injury.

⚠ WARNING: Continued use of a worn-out wheel may result in wheel explosion and serious personal injury.

⚠ CAUTION: Never switch on the tool when it is in contact with the workpiece, it may cause an injury to operator.

⚠ CAUTION: Always wear safety goggles or a face shield during operation.

⚠ CAUTION: After operation, always switch off the tool and wait until the wheel has come to a complete stop before putting the tool down.

⚠ CAUTION: ALWAYS hold the tool firmly with one hand on housing and the other on the side grip (handle).

Operation with wheel/disc

► Fig.12

Turn the tool on and then apply the wheel or disc to the workpiece.

In general, keep the edge of the wheel or disc at an angle of about 15° to the workpiece surface.

During the break-in period with a new wheel, do not work the grinder in forward direction or it may cut into the workpiece. Once the edge of the wheel has been rounded off by use, the wheel may be worked in both forward and backward direction.

Operation with abrasive cut-off / diamond wheel

Optional accessory

⚠ WARNING: When using an abrasive cut-off / diamond wheel, be sure to use only the special wheel guard designed for use with cut-off wheels.

(In some European countries, when using a diamond wheel, the ordinary guard can be used. Follow the regulations in your country.)

⚠ WARNING: NEVER use cut-off wheel for side grinding.

⚠ WARNING: Do not "jam" the wheel or apply excessive pressure. Do not attempt to make an excessive depth of cut. Overstressing the wheel increases the loading and susceptibility to twisting or binding of the wheel in the cut and the possibility of kickback, wheel breakage and overheating of the motor may occur.

⚠ WARNING: Do not start the cutting operation in the workpiece. Let the wheel reach full speed and carefully enter into the cut moving the tool forward over the workpiece surface. The wheel may bind, walk up or kickback if the power tool is started in the workpiece.

⚠ WARNING: During cutting operations, never change the angle of the wheel. Placing side pressure on the cut-off wheel (as in grinding) will cause the wheel to crack and break, causing serious personal injury.

⚠ WARNING: A diamond wheel shall be operated perpendicular to the material being cut.

► Fig.13: 1. Lock nut 2. Abrasive cut-off wheel / diamond wheel 3. Inner flange 4. Wheel guard for abrasive cut-off wheel / diamond wheel

As for the installation, follow the instructions for depressed center wheel.

The direction for mounting the lock nut and the inner flange varies by wheel type and thickness. Refer to the following figures.

For 100 mm (4") model

When installing the abrasive cut-off wheel:

► Fig.14: 1. Lock nut 2. Abrasive cut-off wheel (Thinner than 4 mm (5/32")) 3. Abrasive cut-off wheel (4 mm (5/32") or thicker) 4. Inner flange

When installing the diamond wheel:

► Fig.15: 1. Lock nut 2. Diamond wheel (Thinner than 4 mm (5/32")) 3. Diamond wheel (4 mm (5/32") or thicker) 4. Inner flange

For 115 mm (4 - 1/2") / 125 mm (5") model

When installing the abrasive cut-off wheel:

► Fig.16: 1. Lock nut 2. Abrasive cut-off wheel (Thinner than 4 mm (5/32")) 3. Abrasive cut-off wheel (4 mm (5/32") or thicker) 4. Inner flange

When installing the diamond wheel:

► Fig.17: 1. Lock nut 2. Diamond wheel (Thinner than 4 mm (5/32")) 3. Diamond wheel (4 mm (5/32") or thicker) 4. Inner flange

Operation with wire cup brush

Optional accessory

CAUTION: Check operation of brush by running tool with no load, insuring that no one is in front of or in line with brush.

CAUTION: Do not use brush that is damaged, or which is out of balance. Use of damaged brush could increase potential for injury from contact with broken brush wires.

► **Fig.18:** 1. Wire cup brush

Unplug tool and place it upside down allowing easy access to spindle.

Remove any accessories on spindle. Thread wire cup brush onto spindle and tighten with supplied wrench.

NOTICE: Avoid applying too much pressure which causes over bending of wires when using brush. It may lead to premature breakage.

Operation with wire wheel brush

Optional accessory

CAUTION: Check operation of wire wheel brush by running tool with no load, insuring that no one is in front of or in line with the wire wheel brush.

CAUTION: Do not use wire wheel brush that is damaged, or which is out of balance. Use of damaged wire wheel brush could increase potential for injury from contact with broken wires.

CAUTION: ALWAYS use guard with wire wheel brushes, assuring diameter of wheel fits inside guard. Wheel can shatter during use and guard helps to reduce chances of personal injury.

► **Fig.19:** 1. Wire wheel brush

Unplug tool and place it upside down allowing easy access to spindle.

Remove any accessories on spindle. Thread wire wheel brush onto spindle and tighten with the wrenches.

NOTICE: Avoid applying too much pressure which causes over bending of wires when using wire wheel brush. It may lead to premature breakage.

Lanyard (tether strap) connection

SAFETY warnings specific for use at height
Read all safety warnings and instructions. Failure to follow the warnings and instructions may result in serious injury.

1. Always keep the tool tethered when working "at height". Maximum lanyard length is 2 m. The maximum permissible fall height for lanyard (tether strap) must not exceed 2 m.
2. Use only with lanyards appropriate for this tool type and rated for at least 4.0 kg.
3. Do not anchor the tool lanyard to anything on your body or on movable components. Anchor the tool lanyard to a rigid structure that can withstand the forces of a dropped tool.

4. Make sure the lanyard is properly secured at each end prior to use.
5. Inspect the tool and lanyard before each use for damage and proper function (including fabric and stitching). Do not use if damaged or not functioning properly. The tool must be repaired especially when a crack or a red line appears around the hole for the lanyard.
6. Do not wrap lanyards around or allow them to come in contact with sharp or rough edges.
7. Fasten the other end of the lanyard outside the working area so that a falling tool is held securely.
8. Attach the lanyard so that the tool will move away from the operator if it falls. Dropped tools will swing on the lanyard, which could cause injury or loss of balance.
9. Do not use near moving parts or running machinery. Failure to do so may result in a crush or entanglement hazard.
10. Do not carry the tool by the attachment device or the lanyard.
11. Only transfer the tool between your hands while you are properly balanced.
12. Do not attach lanyards to the tool in a way that keeps guards, switches or lock-offs from operating properly.
13. Avoid getting tangled in the lanyard.
14. Keep lanyard away from the cutting area of the tool.
15. Use a locking carabiner (multi-action and screw gate type). Do not use single action spring clip carabiners.
16. In the event the tool is dropped, it must be tagged and removed from service, and should be inspected by a Makita Factory or Authorized Service Center.
17. Only attach the lanyard with a locking carabiner. Do not attach the lanyard by looping or knotting the lanyard. Do not use ropes or cords.

► **Fig.20:** 1. Hole for lanyard (tether strap)

MAINTENANCE

CAUTION: Always be sure that the tool is switched off and unplugged before attempting to perform inspection or maintenance.

NOTICE: Never use gasoline, benzine, thinner, alcohol or the like. Discoloration, deformation or cracks may result.

To maintain product SAFETY and RELIABILITY, repairs, any other maintenance or adjustment should be performed by Makita Authorized or Factory Service Centers, always using Makita replacement parts.

Air vent cleaning

The tool and its air vents have to be kept clean. Regularly clean the tool's air vents or whenever the vents start to become obstructed.

► **Fig.21:** 1. Exhaust vent 2. Inhalation vent

OPTIONAL ACCESSORIES

⚠ CAUTION: These accessories or attachments are recommended for use with your Makita tool specified in this manual. The use of any other accessories or attachments might present a risk of injury to persons. Only use accessory or attachment for its stated purpose.

If you need any assistance for more details regarding these accessories, ask your local Makita Service Center.

► Fig.22

-	100 mm (4") model	115 mm (4-1/2") model	125 mm (5") model
1	Side grip		
2	Wheel Guard (for grinding wheel)		
3	Inner flange	Inner flange / Super flange	
4	Depressed center wheel / Flap disc		
5	Lock nut		
6	Back up pad		
7	Flex wheel		
8	Rubber pad 76	Rubber pad 100	Rubber pad 115
9	Abrasive disc		
10	Sanding lock nut		
11	Wire wheel brush		
12	Wire cup brush		
13	Wheel Guard (for cut-off wheel) *1		
14	Abrasive cut-off wheel / Diamond wheel		
-	Lock nut wrench		
-	Dust cover attachment		

NOTE: *1 In some European countries, when using a diamond wheel, the ordinary guard can be used instead of the special guard covering the both side of the wheel. Follow the regulations in your country.

NOTE: Some items in the list may be included in the tool package as standard accessories. They may differ from country to country.

TEHNIČNI PODATKI

Model:	GA4050	GA4050R	GA4550	GA4550R	GA5050	GA5050R
Premer rezalne plošče	100 mm (4")		115 mm (4-1/2")		125 mm (5")	
Največja debelina plošče	6,4 mm (1/4")		7,2 mm (9/32")			
Navoj vretena	M10		M14 ali 5/8"			
Nazivna hitrost (n)	11.000 min ⁻¹					
Celotna dolžina	325 mm					
Neto teža	2,3 – 2,6 kg		2,4 – 2,8 kg		2,5 – 2,8 kg	
Razred zaščite	□/II					

- Ker nenehno opravljamo raziskave in razvijamo svoje izdelke, se lahko tehnični podatki v tem dokumentu spremenijo brez obvestila.
- Tehnični podatki se lahko razlikujejo od države do države.
- Teža se lahko razlikuje glede na priključke. Najlažja in najtežja kombinacija v skladu s postopkom EPTA 01/2014 sta prikazani v preglednici.

Predvidena uporaba

Stroj je namenjen za brušenje, glajenje in rezanje kovine in kamna brez uporabe vode.

Priključitev na električno omrežje

Napetost električnega omrežja se mora ujemati s podatki na tipski ploščici. Stroj deluje samo z enofazno izmenično napetostjo. Stroj je po evropskih smernicah dvojno zaščitno izoliran, zato se ga lahko priključi tudi v vtičnice brez ozemljitvenega voda.

Hrup

Običajna A-ovrednotena raven hrupa v skladu z EN60745-2-3:

Model	Raven zvočnega tlaka (L _{pA}) : (dB(A))	Raven zvočne moči (L _{WA}) : (dB(A))	Odstopanje (K): (dB(A))
GA4050	91	102	3
GA4050R	91	102	3
GA4550	91	102	3
GA4550R	91	102	3
GA5050	91	102	3
GA5050R	91	102	3

OPOMBA: Navedene vrednosti oddajanja hrupa so bile izmerjene v skladu s standardnimi metodami testiranja in se lahko uporabljajo za primerjavo orodij.

OPOMBA: Navedene vrednosti oddajanja hrupa se lahko uporabljajo tudi pri predhodni oceni izpostavljenosti.

⚠ OPOZORILO: Uporabljajte zaščito za sluh.

⚠ OPOZORILO: Oddajanje hrupa med dejansko uporabo električnega orodja se lahko razlikuje od navedenih vrednosti, odvisno od načina uporabe orodja in predvsem vrste obdelovanca.

⚠ OPOZORILO: Upravljalavec mora za lastno zaščito poznati varnostne ukrepe, ki temeljijo na oceni izpostavljenosti v dejanskih pogojih uporabe (poleg časa proženja je treba upoštevati celoten delovni cikel, vključno s časom, ko je orodje izklopljeno, in časom, ko deluje v prostem teku).

Vibracije

Skupne vrednosti vibracij (vektorska vsota treh osi) v skladu z EN60745-2-3:

Način dela: brušenje površin z uporabo običajnega stranskega ročaja

Model	Oddajanje tresljajev ($a_{hv, AG}$): (m/s^2)	Odstopanje (K): (m/s^2)
GA4050	6,5	1,5
GA4050R	6,5	1,5
GA4550	7,0	1,5
GA4550R	7,0	1,5
GA5050	7,5	1,5
GA5050R	7,5	1,5

Način dela: brušenje površin z uporabo antivibracijskega stranskega ročaja

Model	Oddajanje tresljajev ($a_{hv, AG}$): (m/s^2)	Odstopanje (K): (m/s^2)
GA4050	5,5	1,5
GA4050R	5,5	1,5
GA4550	7,0	1,5
GA4550R	7,0	1,5
GA5050	8,5	1,5
GA5050R	8,5	1,5

Način dela: peskanje s ploščo z uporabo običajnega stranskega ročaja

Model	Oddajanje tresljajev ($a_{hv, AG}$): (m/s^2)	Odstopanje (K): (m/s^2)
GA4050	2,5 m/s^2 ali manj	1,5
GA4050R	2,5 m/s^2 ali manj	1,5
GA4550	2,5	1,5
GA4550R	2,5	1,5
GA5050	2,5 m/s^2 ali manj	1,5
GA5050R	2,5 m/s^2 ali manj	1,5

Način dela: peskanje s ploščo z uporabo antivibracijskega stranskega ročaja

Model	Oddajanje tresljajev ($a_{hv, AG}$): (m/s^2)	Odstopanje (K): (m/s^2)
GA4050	2,5 m/s^2 ali manj	1,5
GA4050R	2,5 m/s^2 ali manj	1,5
GA4550	2,5 m/s^2 ali manj	1,5
GA4550R	2,5 m/s^2 ali manj	1,5
GA5050	2,5 m/s^2 ali manj	1,5
GA5050R	2,5 m/s^2 ali manj	1,5

OPOMBA: Navedene skupne vrednosti oddajanja vibracij so bile izmerjene v skladu s standardnimi metodami testiranja in se lahko uporabljajo za primerjavo orodij.

OPOMBA: Navedene skupne vrednosti oddajanja vibracij se lahko uporabljajo tudi pri predhodni oceni izpostavljenosti.

⚠ OPOZORILO: Oddajanje vibracij med dejansko uporabo električnega orodja se lahko razlikuje od navedenih vrednosti, odvisno od načina uporabe orodja in predvsem vrste obdelovanca.

⚠ OPOZORILO: Upravljevec mora za lastno zaščito poznati varnostne ukrepe, ki temeljijo na oceni izpostavljenosti v dejanskih pogojih uporabe (poleg časa proženja je treba upoštevati celoten delovni cikel, vključno s časom, ko je orodje izklopljeno, in časom, ko deluje v prostem teku).

⚠ OPOZORILO: Navedena vrednost oddajanja vibracij se uporablja za glavno uporabo električnega orodja. Vendar če električno orodje uporabljate za druge namene, se lahko vrednosti oddajanja vibracij razlikujejo.

Izjava o skladnosti ES

Samo za evropske države

Izjava ES o skladnosti je vključena v dodatku A, ki je priložen tem navodilom za uporabo.

VARNOSTNA OPOZORILA

Splošna varnostna opozorila za električno orodje

⚠ OPOZORILO: Preberite vsa varnostna opozorila in navodila s slikami in tehničnimi podatki, ki so dobavljeni skupaj z električnim orodjem.

Ob neupoštevanju spodaj navedenih navodil obstaja nevarnost električnega udara, požara in/ali hudih telesnih poškodb.

Shranite vsa opozorila in navodila za poznejšo uporabo.

Izraz „električno orodje“ v opozorilih se nanaša na vaše električno orodje (s kablom) ali baterijsko električno orodje (brez kabla).

Varnostna opozorila pri uporabi brusilnika

Varnostna opozorila za brušenje, glajenje, žično ščetkanje ali rezanje:

- Kotni brusilnik je namenjen za brušenje, glajenje, žično ščetkanje ali rezanje. Preberite vsa varnostna opozorila in navodila s slikami in tehničnimi podatki, ki so dobavljeni skupaj z električnim orodjem.** Ob neupoštevanju spodaj navedenih navodil obstaja nevarnost električnega udara, požara in/ali hudih telesnih poškodb.
- Kotni brusilnik ni primeren za poliranje.** Izvajanje opravil, za katere električno orodje ni bilo zasnovano, je nevarno in lahko povzroči hude telesne poškodbe.
- Uporabljajte le nastavke, ki jih je posebej za to orodje zasnoval oz. jih priporoča proizvajalec.** Če je nastavek mogoče pritrčiti na električno orodje, to še ne pomeni, da je uporaba tega nastavka varna.
- Nazivno število vrtljajev nastavka mora ustrezati vsaj največjemu številu vrtljajev, ki je označeno na električnem orodju.** Nastavek, ki se vrti hitreje od nazivnega števila vrtljajev, se lahko zlomi in razleti.
- Zunanji premer in debelina nastavka morata ustrezati nazivni moči električnega orodja.** Nastavka neustrezne velikosti ni mogoče pravilno zavarovati s ščitniki ali ga povsem nadzorovati.
- Pritrditev nastavkov z navoji se mora prilegati navojem vretena brusilnika. Pri nastavkih, nameščenih s prirobnicami, se morajo osne luknje nastavkov natančno prilegati premeru prirobnice.** Nastavkov, ki se ne ujemajo, ni mogoče ustrezno namestiti na električno orodje, kar lahko povzroči neuravnoteženost, čezmerno vibriranje in izgubo nadzora.

- Ne uporabljajte poškodovanih nastavkov.** Pred vsako uporabo preverite nastavke (npr. plošče), če se morda niso odkrušile, če brusilni krožniki niso počeni, pretrgani ali čezmerno obrabljeni ali če so na žičnih ščetkah ohlapne ali počene žice. Če pade električno orodje ali nastavek na tla, preverite, če so nastale poškodbe, in po potrebi namestite nepoškodovani nastavek. Po pregledu in namestitvi nastavka se postavite izven ravnine vrtenja nastavka in opozorite osebe v vaši bližini, naj se oddaljijo, ter vključite orodje in ga pustite teči eno minuto brez obremenitve. Med tem preizkusom poškodovani nastavki običajno počijo.
- Uporabljajte osebna zaščitna sredstva. Odvisno od dela, ki ga opravljate, uporabljajte zaščitno masko za obraz in oči ali zaščitna očala. Če je potrebno, uporabljajte zaščitno masko proti prahu, glušnike, rokavice ali predpasnik za zaščito pred drobcami materiala.** Zaščita za oči mora zadržati leteče drobce, ki so prisotni pri različnih načinih dela. Protiprašna maska ali maska za zaščito dihal mora zadržati prah, ki nastaja med delom. Izpostavljanje hrupu lahko povzroči izgubo sluha.
- Pri delu poskrbite, da bodo druge osebe varno oddaljene od delovnega območja. V delovno območje lahko vstopajo samo osebe z ustrezno osebno zaščitno opremo.** Leteči drobcami materiala obdelovanca ali počenega nastavka so nevarni in lahko povzročijo poškodbe tudi izven delovnega območja.
- Če obstaja nevarnost, da bi z rezalnim orodjem prerezali skrito električno napeljavo ali lasten kabel, držite električno orodje samo na izoliranih držalnih površinah.** Ob stiku z vodniki pod napetostjo dobijo napetost vsi neizolirani kovinski deli električnega orodja, zaradi česar lahko uporabnik utrpi električni udar.
- Pazite, da z vrtečimi se deli orodja ne poškodujete električnega kabla.** V primeru izgube nadzora nad električnim orodjem se lahko kabel prereže ali zatakne, dlan ali roko pa vam lahko potegne v vrteči se nastavek.
- Ne odlagajte električnega orodja iz rok, dokler se nameščeni nastavek ne neha vrteti.** Nastavek, ki se še vedno vrtil, lahko pride v stik z odlagalno površino in povzroči izgubo nadzora nad električnim orodjem.
- Ne puščajte električnega orodja vključenega brez nadzora.** Vrteči se nastavek se lahko nepričakovano zaplete v vašo obleko in vas poškoduje.
- Redno čistite hladilne reže električnega orodja.** Ventilator motorja vsesava v ohišje prah, ki povzroča škodljivo kopičenje prahu in s tem nevarnost električne okvare.
- Ne uporabljajte električnega orodja v bližini gorljivih snovi.** Gorljive snovi se lahko vnamejo zaradi iskenja.
- Ne uporabljajte nastavkov, ki so predvideni za uporabo s tekočim hladilnim sredstvom.** Uporaba vode ali drugih tekočin za hlajenje lahko povzroči električni udar.

Opozorila v zvezi s povratnim udarcem

Povratni udarec je nenadna reakcija, če se stisne ali zagodži vrteča se plošča, brusilni krožnik, ščetka ali drug nastavek.

Blokada ali zagodjenje namreč povzroči hitro zaustavitev vrtečih se delov orodja, pri čemer električno orodje sune v obratno smer od smeri gibanja vrtečih se delov.

Če pride na primer do blokade abrazivne plošče v obdelovancu, lahko rob v točki zagodjenja zareže v površino, pri tem pa nastala sila rezalno ploščo odbije od materiala. Rezalna plošča lahko odskoči bodisi proti vam ali v nasprotni smeri, kar je odvisno od smeri vodenja rezalne plošče v točki zagodjenja. Abrazivna plošča se lahko pod temi pogoji tudi zlomi.

Povratni udarec je posledica nestrokovnega ravnanja z električnim orodjem ali neugodnih okoliščin. Preprečite ga lahko z upoštevanjem spodaj navedenih opozoril.

- Električno orodje držite s trdnim prijemom in se postavite v takšen položaj, da lahko prestrezete sile povratnega udarca.** Če je na električno orodje mogoče namestiti dodatni ročaj, ga tudi uporabljajte, saj vam omogoča najboljši nadzor nad povratnimi udarci ali reakcijskim vrtilnim momentom. Reakcijske vrtilne momente ali povratne udarce je mogoče učinkovito preprečiti z upoštevanjem previdnostnih ukrepov.
- Ne približujte rok vrtečim se delom električnega orodja.** Nameščeni nastavek lahko udari nazaj prek vaše roke.
- S telesom se postavite stran od smeri, v katero orodje lahko skoči v primeru, da pride do povratnega udarca.** Povratni udarec sunkovito potisne orodje v nasprotni smeri vrtenja rezalne plošče v točki zagodjenja.
- Pri obdelavi vogalov, ostrih robov ipd. je potrebna večja previdnost. Izogibajte se položajem, v katerih lahko orodje odskoči iz obdelovanca ali se zagodzi.** V vogalih in na ostrih robovih obstaja povečana nevarnost povratnega sunka ali zagodjenja nastavka. Posledica tega je lahko izguba nadzora ali povratni udarec.
- Ne uporabljajte verižnih ali nazobčanih žaginskih listov.** Tovrstna orodja pogosto povzročijo povratni udarec ali izgubo nadzora nad električnim orodjem.

Varnostna opozorila pri izvajanju brušenja in rezanja:

- Uporabljajte samo plošče, ki jih za vaše orodje in ščitnik posebej priporoča proizvajalec.** Plošče, ki niso posebej namenjene za delo z vašim orodjem, ni možno ustrezno namestiti, zato je njihova uporaba lahko nevarna.
- Površino za brušenje plošč z ugreznjenim centrom je treba namestiti pod ploskovno ščitnika.** Nepravilno nameščene plošče, ki gleda prek ravnine ščitnika, ni mogoče zadostno zaščititi.
- Za zagotavljanje maksimalne varnosti pri delu mora biti ščitnik rezila pravilno nameščen in tako ustrezno zakrivati kar največ plošče na delu, obrnjenem proti uporabniku.** Ščitnik varuje uporabnika pred izmetom odlomljenih delcev in stikom s ploščo ter iskenja, ki lahko povzročijo vžig oblačil.
- Rezalne plošče se lahko uporabljajo le za priporočene naprave. Primer: ne uporabljajte jih za brušenje s stransko ploskvijo.** Namenjene so brušenju z robom rezila. Pri izvajanju bočne sile na rezalno ploščo lahko ta poči.

- Uporabljajte samo nepoškodovane prirobnice plošč, ki po dimenziji in obliki ustrezajo uporabljeni plošči.** Ustrezne prirobnice podpirajo ploščo in zmanjšujejo nevarnost zloma plošče. Prirobnice za rezalne plošče se lahko razlikujejo od prirobnic plošč.
- Ne uporabljajte izrabljenih rezalnih plošč, ki ste jih predhodno uporabljali na večjih električnih orodjih.** Plošče večjih električnih orodij niso primerne za višje število obratov na manjših orodjih in lahko zato počijo.

Dodatna varnostna opozorila pri izvajanju brušenja in rezanja:

- Rezalne plošče ne „blokirate“ ali preobremenjujte.** Ne skušajte narediti preglobokih rezov. Preobremenjevanje plošče povečuje možnost zvijanja ali zagodjenja plošče v obdelovancu ter s tem možnost povratnega udarca ali zloma plošče.
- Ne postavljajte se v položaje, v katerih ste v primeru povratnega udarca lahko izpostavljeni sunku električnega orodja.** Ko se plošča med delovanjem premika stran od vašega telesa, lahko eventualni povratni udarec potisne vrtečo se ploščo in električno orodje neposredno v upravljalca.
- Če je rezalna plošča ovirana ali če iz katerega koli razloga rezanje prekinete, držite električno orodje pri miru, dokler se rezalna plošča popolnoma ne ustavi. Nikoli ne skušajte odstraniti rezalne plošče iz obdelovanca, dokler se plošča še vrti.** Preverite in odpravite vzrok oviranja rezalne plošče.
- Rezanja ne začnite ponovno v obdelovancu. Najprej počakajte, da plošča doseže polno hitrost, nato pa pazljivo začnite ponovno rezati.** Če začnete z rezanjem v obdelovancu, se lahko rezalna plošča zagodzi, lahko pa pride tudi do povratnega udarca.
- Pod plošče in velike obdelovance postavite podporo, da zmanjšate možnost zagodjenja rezalne plošče ali povratnega udarca.** Veliki obdelovanci se lahko zaradi lastne teže povesijo. Pod obdelovance je treba poleg linije reza in poleg roba obdelovanca na obeh straneh plošče postaviti podporo.
- Bodite še posebej pozorni, ko v obstoječe zidove ali druge slepe točke izvajate „slepe reze“.** Rezalna plošča lahko zadene v plinske, vodovodne ali električne napeljave ali predmete, ki lahko povzročijo povratni udarec.

Varnostna opozorila za brušenje:

- Ne uporabljajte prevelikega brusnega papirja. Pri izbiri brusnega papirja upoštevajte priporočile proizvajalca.** Večji brusni papir, ki sega prek brusilne blazinice, predstavlja nevarnost pretrga in lahko povzroči zagoditev, trganje ali povratni udarec rezalne plošče.

Varnostna opozorila za žično ščetkanje:

- Žice ščetke lahko med delovanjem odpadajo. Ne izvajajte čezmernega pritiska na žice, da jih ne preobremenite.** Žice ščetke enostavno prodrejo v lahka oblačila in/ali kožo.
- Če je za žično ščetkanje priporočena uporaba ščitnika zagotovite, da se žična plošča ali ščetka ne dotika ščitnika.** Zaradi obremenitev in centrifugalnih sil se lahko poveča premer žične plošče ali ščetke.

Dodatna varnostna opozorila:

1. Pri uporabi brusilne plošče z ugreznjenim centrom vedno uporabljajte samo posebej ojačene plošče s steklenimi vlakni.
2. S tem brusilnikom NIKOLI NE UPORABLJAJTE plošč za rezanje kamna. Ta brusilnik ni namenjen za uporabo s temi vrstami plošč, saj lahko povzroči hude telesne poškodbe.
3. Pazite, da ne poškodujete vretena, prirobnice (še posebej na delu, kjer se stika z orodjem) ali zaskočne matice. Poškodba teh delov lahko povzroči zlom plošče.
4. Ko zaženete napravo, brusni nastavek ne sme biti v stiku z obdelovancem.
5. Pred začetkom dela na obdelovancu pustite orodje delovati nekaj časa v prostem teku. Bodite pozorni na morebitne vibracije ali tresljaje, ki bi lahko nakazovali na nepravilno nameščen oziroma slabo centrirano ploščo.
6. Za brušenje uporabljajte brusni nastavek z ustrezno brusilno površino.
7. Orodja ne pustite delovati brez nadzora. Dovoljeno ga je uporabljati samo ročno.
8. Takoj po končani obdelavi se ne dotikajte obdelovanca; ta je lahko zelo vroč in lahko povzroči opekline kože.
9. Ne dotikajte se dodatne opreme takoj po koncu obdelave, saj je lahko zelo vroča in vas lahko opeče.
10. Za pravilno namestitvev in uporabo plošč sledite navodilom proizvajalca. Skrbno ravnajte s ploščami in jih pravilno shranjujte.
11. Ne uporabljajte puš ali adapterjev za prilagoditev velikosti lukenj plošč.
12. Uporabljajte samo prirobnice, ki jih posebej za vaše orodje priporoča proizvajalec.
13. Pri orodjih z navojem preverite, če je navoj plošče primerno dolg, da zajame celotno dolžino vretena.
14. Poskrbite za ustrezno podporo obdelovanca.
15. Preverite, če se plošča vrti tudi potem, ko ste orodje že izklopili.
16. Če je v delovnem prostoru zelo vroče in vlažno ali pa je ta poln prevodnega prahu, uporabite stikalo za diferenčni tok (30 mA) in tako zagotovite varnost upravljavca.
17. Orodja ne uporabljajte na materialih, ki vsebujejo azbest.
18. Ko uporabljate rezalne plošče, jih vedno uporabljajte s ščitnikom za zbiranje prahu, kot zahtevajo lokalni predpisi.
19. Na rezalne plošče ne izvajajte bočnega pritiska.
20. Pri delu ne uporabljajte tekstilnih delovnih rokavic. Vlakna iz tekstilnih rokavic lahko prodrejo v orodje, zaradi česar se lahko orodje poškoduje.

SHRANITE TA NAVODILA.

⚠ OPOZORILO: NE dovolite, da bi zaradi udobnejšega dela ali znanja o uporabi izdelka (pridobljenega z večkratno uporabo) opustili strogo upoštevanje varnostnih zahtev v okviru pravilne uporabe orodja. ZLORABA ali neupoštevanje varnostnih zahtev v teh navodilih za uporabo lahko povzroči resne telesne poškodbe.

OPIS DELOVANJA

⚠ POZOR: Pred vsako nastavitvijo ali pregledom nastavitvev orodja se prepričajte, da je orodje izklopljeno in izključeno z električnega omrežja.

Zapora vretena

Pritisnite zaporo vretena, da preprečite vrtenje med nameščanjem ali odstranjevanjem nastavka.

► SI.1: 1. Zapora vretena

OBVESTILO: Nikoli ne sprožite zapore vretena, ko se to premika. Orodje se lahko poškoduje.

Delovanje stikala

⚠ POZOR: Pred priključitvijo orodja na električno omrežje se vedno prepričajte, da je stikalo brezhibno in se vrača v položaj za izklop (OFF), ko ga spustite.

⚠ POZOR: Ne pritisčajte prekladne ročice s silo, ne da bi pri tem pritisnili sprostilni gumb. Stikalo se lahko zlomi.

Za preprečevanje nenamerne sprožitve prekladne ročice je nameščena sprostilna ročica. Za zagon orodja hkrati povlecite sprostilno ročico proti upravljavcu, nato pa povlecite prekladno ročico. Za izklop orodja spustite prekladno ročico.

► SI.2: 1. Ročica za zaklep 2. Prekladna ročica

Zaščita pred nenamernim vklopom

Samo za model GA4050R/GA4550R/GA5050R

Orodje se ne vklopi, ko povlečete prekladno ročico, tudi ko je orodje priključeno na električno omrežje. Za zagon orodja najprej spustite prekladno ročico. Potem povlecite ročico za zaklep in nato še prekladno ročico.

OPOMBA: Ko je vključena zaščita pred nenamernim vklopom, pred ponovnim zagonom orodja počakajte več kot eno sekundo.

Funkcija mehkega zagona

Samo za model GA4050R/GA4550R/GA5050R

Funkcija mehkega zagona omili reakcijo pri vžigu.

MONTAŽA

⚠ POZOR: Pred vsakim posegom v orodje se prepričajte, da je orodje izklopljeno in izključeno z električnega omrežja.

Nameščanje stranskega ročaja (ročaj)

⚠ POZOR: Pred uporabo se vedno prepričajte, da je stranski ročaj varno nameščen.

Trdno privijte stranski ročaj na orodje, kot je prikazano na sliki.

► SI.3

Namestitev ali odstranitev ščitnika za plošče

⚠ OPOZORILO: Kadar uporabljate rezalno ploščo z ugreznjenim centrom, zaporno ploščo, mehko rezalno ploščo ali ploščato žično ščetko, je treba ščitnik namestiti na orodje tako, da je zaprta stran ščitnika vedno obrnjena proti upravljavcu.

⚠ OPOZORILO: Preverite, ali je ščitnik za plošče trdno zaklenjen, tako da je zaklepna ročica v eni od lukenj na ščitniku za plošče.

⚠ OPOZORILO: Ko uporabljate abrazivne rezalne/diamantne plošče, uporabljajte samo posebni ščitnik, narejeno za uporabo z rezalnimi ploščami.

(V nekaterih evropskih državah lahko med uporabo diamantne rezalne plošče uporabljate običajni ščitnik. Upošteвайте predpise v vaši državi.)

Za plošče z ugreznjenim centrom, zaporne plošče, mehke rezalne plošče, ploščate žične ščetke/ abrazivne rezalne plošče, diamantne rezalne plošče

1. Ko pritisnete zaklepno ročico, namestite ščitnik za plošče tako, da so izbokline na ščitniku za plošče poravnane z zarezi na ležajnem ohišju.

► **SI.4:** 1. Zaklepna ročica 2. Zareza 3. Izboklina

2. Med potiskanjem zaklepne ročice proti točki A zadržite dele točke B ščitnika za plošče tako, kot je prikazano na sliki.

► **SI.5:** 1. Ščitnik za plošče 2. Odprtina

OPOMBA: Ščitnik za plošče potisnite naravnost navzdol. V nasprotnem primeru ščitnika za plošče ne morete potisniti do konca.

3. Med potiskanjem zaklepne ročice zavrtite ščitnik za ploščo proti točki C in nato spremenite kot ščitnika za ploščo glede na vrsto dela, da omogočite zaščito za upravljavca. Zaklepno ročico poravnajte z eno od odprtin na ščitniku za ploščo in nato izpustite zaklepno ročico, da zablokirate ščitnik za ploščo.

► **SI.6:** 1. Ščitnik za plošče 2. Odprtina

Za odstranjevanje ščitnika za plošče izvedite postopek namestitve v obratnem vrstnem redu.

Nameščanje ali odstranjevanje rezalne plošče z ugreznjenim centrom ali zaporne plošče

Dodatna oprema

⚠ OPOZORILO: Kadar uporabljate rezalno ploščo z ugreznjenim centrom ali zaporno ploščo, je treba ščitnik namestiti na orodje tako, da je zaprta stran ščitnika vedno obrnjena proti upravljavcu.

⚠ POZOR: Nastavek notranje prirobnice se mora povsem ujemati z notranjim premerom plošče z ugreznjenim centrom ali zaporno ploščo. Namestitev notranje prirobnice na napačno stran lahko povzroči nevarne vibracije.

Notranjo prirobnico namestite na vreteno.

Pazite, da pritrdite udrti del notranje prirobnice na ravni del na dnu vretena.

Namestite ploščo z ugreznjenim centrom ali zaporno ploščo na notranjo prirobnico in privijte zaskočno matico na vreteno.

► **SI.7:** 1. Zaskočna matica 2. Plošča z ugreznjenim centrom 3. Notranja prirobnica 4. Nastavek

Za zategovanje zaskočne matice trdno pritisnite zaporo vretena, da se vreteno ne more vrteti, nato pa uporabite ključ za zaskočno matico in trdno privijte v smeri urnega kazalca.

► **SI.8:** 1. Ključ za zaskočno matico 2. Zapora vretena

Za odstranjevanje plošče izvedite postopek namestitve v obratnem vrstnem redu.

Namestitev ali odstranitev mehke rezalne plošče

Dodatna oprema

⚠ OPOZORILO: Kadar je na orodju mehka rezalna plošča, vedno uporabljajte priloženi ščitnik. Ščitnik uporabnika varuje pred rezalno ploščo, ki se lahko med delom razleti.

► **SI.9:** 1. Zaskočna matica 2. Mehka rezalna plošča 3. Podporna blazinica 4. Notranja prirobnica

Upošteвайте navodila za rezalne plošče z ugreznjenim centrom, vendar na ploščo namestite tudi podporno blazinico. Vrstni red sestavljanja najdete na strani s priborom v tem priročniku.

Namestitev ali odstranitev brusne plošče

Dodatna oprema

Za model 100 mm

► **SI.10:** 1. Zaskočna matica za brušenje 2. Brusna plošča 3. Gumeni nastavek 4. Notranja prirobnica

1. Notranjo prirobnico namestite na vreteno.

2. Namestite gumeni nastavek na vreteno.

3. Namestite ploščo na gumeni nastavek in privijte zaskočno matico na vreteno.

4. Zadržite vreteno z zaporo vretena in čvrsto privijte zaskočno matico za brušenje v smeri urnega kazalca s ključem za zaskočno matico.

Za model 115 mm/125 mm

► **SI.11:** 1. Zaskočna matica za brušenje 2. Brusna plošča 3. Gumeni nastavek

1. Namestite gumeni nastavek na vreteno.

2. Namestite ploščo na gumeni nastavek in privijte zaskočno matico na vreteno.

3. Zadržite vreteno z zaporo vretena in čvrsto privijte zaskočno matico za brušenje v smeri urnega kazalca s ključem za zaskočno matico.

Za odstranjevanje plošče izvedite postopek namestitve v obratnem vrstnem redu.

OPOMBA: Uporabite ustrezeni komplet za glajenje, naveden v navodilih za uporabo. Komplet ni priložen orodju, temveč ga je treba dokupiti.

UPRAVLJANJE

⚠ OPOZORILO: Nikoli ne potrebno pritiskati orodja. Teža orodja zagotavlja zadosten pritisk. Prisilno in čezmerno pritiskanje lahko povzroči nevaren zlom plošče.

⚠ OPOZORILO: VEDNO zamenjajte ploščo, če vam orodje med brušenjem pade na tla.

⚠ OPOZORILO: NIKOLI ne udarjajte s ploščo po obdelovancu.

⚠ OPOZORILO: Preprečite poskakovanje in zagozdenje plošče, zlasti med obdelovanjem kotov, ostrih robov itd. To lahko povzroči izgubo nadzora in povratni udarec.

⚠ OPOZORILO: NIKOLI ne uporabljajte orodja z rezili za rezanje lesa in drugimi rezili. Takšna rezila lahko pri uporabi s brusilnikom pogosto odskakujejo in povzročijo izgubo nadzora, ki povzroči telesne poškodbe.

⚠ OPOZORILO: Če uporabljate izrabljeno ploščo, lahko ta počni in vas poškoduje.

⚠ POZOR: Nikoli ne vključite orodja, ko je v stiku z obdelovancem, saj lahko poškoduje upravljavca.

⚠ POZOR: Med delovanjem vedno nosite varovalna očala ali ščitnik obraza.

⚠ POZOR: Po uporabi vedno izklopite orodje in počakajte, da se plošča popolnoma ustavi, preden orodje odložite.

⚠ POZOR: VEDNO trdno držite orodje z eno roko za ohišje in z drugo za stranski ročaj.

Uporaba z rezalno ploščo/ploščo

► SI.12

Vklopite stroj in položite rezalno ploščo ali ploščo na obdelovanca.

Na splošno držite rob plošče pod kotom približno 15° na površino obdelovanca.

V času preboja z novo rezalno ploščo brusilnika ne uporabljajte v smeri naprej, saj lahko zareže v obdelovanca. Ko je rob plošče zaobljen zaradi obrabe, lahko ploščo premikate tako v smeri naprej kot tudi v smeri nazaj.

Uporaba z abrazivnimi rezalnimi/diamantnimi ploščami

Dodatna oprema

⚠ OPOZORILO: Ko uporabljate abrazivne rezalne/diamantne plošče, uporabljajte samo posebni ščitnik, narejeno za uporabo z rezalnimi ploščami.

(V nekaterih evropskih državah lahko med uporabo diamantne rezalne plošče uporabljate običajni ščitnik. Upoštevajte predpise v vaši državi.)

⚠ OPOZORILO: NIKOLI ne uporabljajte rezalne plošče za bočno brušenje.

⚠ OPOZORILO: Rezalne plošče ne „zagozdite“ ali preobremenite. Ne skušajte narediti preglobokih rezov. Preobremenjevanje plošče povečuje možnost zvijanja ali zagozdenja plošče v obdelovancu ter s tem možnost povratnega udara ali zloma plošče in pregrevanja motorja.

⚠ OPOZORILO: Rezanja ne začnite v obdelovancu. Najprej počakajte, da plošča doseže polno hitrost, in potem pomaknite orodje naprej po površini obdelovanca. Če začnete z rezanjem v obdelovancu, se lahko plošča zagozdi, lahko pa nastane tudi povratni udarec.

⚠ OPOZORILO: Med rezanjem ne spreminjajte kota plošče. Bočni pritisk na rezalne ploščo (kot pri brušenju) bo povzročil razpoke in zlom plošče in s tem hude telesne poškodbe.

⚠ OPOZORILO: Diamantne rezalne plošče uporabljajte pravokotno na rezani material.

► **SI.13:** 1. Zaskočna matica 2. Abrazivna rezalna plošča/diamantna plošča 3. Notranja prirobnica 4. Ščitnik za abrazivno/diamantno rezalno ploščo

Kot pri nameščanju tudi tukaj upoštevajte navodila za rezalno ploščo z ugrezjenim centrom.

Smer za namestitev zaskočne matice in notranje prirobnice se razlikuje glede na tip in debelino plošče. Glejte spodaj navedene številke.

Za model 100 mm

Pri nameščanju abrazivne rezalne plošče:

► **SI.14:** 1. Zaskočna matica 2. Abrazivna rezalna plošča (tanjša od 4 mm) 3. Abrazivna rezalna plošča (debelina 4 mm ali več) 4. Notranja prirobnica

Pri nameščanju diamantne rezalne plošče:

► **SI.15:** 1. Zaskočna matica 2. Diamantna rezalna plošča (tanjša od 4 mm) 3. Diamantna rezalna plošča (debelina 4 mm ali več) 4. Notranja prirobnica

Za model 115 mm/125 mm

Pri nameščanju abrazivne rezalne plošče:

► **SI.16:** 1. Zaskočna matica 2. Abrazivna rezalna plošča (tanjša od 4 mm) 3. Abrazivna rezalna plošča (debelina 4 mm ali več) 4. Notranja prirobnica

Pri nameščanju diamantne rezalne plošče:

► **SI.17:** 1. Zaskočna matica 2. Diamantna rezalna plošča (tanjša od 4 mm) 3. Diamantna rezalna plošča (debelina 4 mm ali več) 4. Notranja prirobnica

Uporaba lončaste žične ščetke

Dodatna oprema

▲POZOR: Preden pričnete z uporabo lončaste žične ščetke, orodje najprej pustite nekaj trenutkov delovati v prostem teku, ob tem pa orodje obrnite stran od morebitnih prisotnih.

▲POZOR: Ne uporabljajte poškodovane ali izrabljene lončaste žične ščetke. Uporaba poškodovane ščetke predstavlja nevarnost poškodb, ki lahko nastanejo zaradi stika z zlomljenimi žicami.

► **SI.18:** 1. Lončasta žična ščetka

Orodje izključite in ga obrnite na glavo, da bo tako vreteno lažje dosegljivo.

Z vretena nato odstranite vse nastavke. Na vreteno namestite lončasto žično ščetko in jo privijte s priloženim ključem.

OBVESTILO: Ne uporabljajte prekomerne sile, saj lahko v tem primeru pri uporabi ščetke pride do pretiranega upogibanja žic. To lahko povzroči predčasen prelom.

Uporaba ploščate žične ščetke

Dodatna oprema

▲POZOR: Preden pričnete z uporabo ploščate žične ščetke, orodje najprej pustite nekaj trenutkov delovati v prostem teku, ob tem pa orodje obrnite stran od morebitnih prisotnih.

▲POZOR: Ne uporabljajte poškodovane ali izrabljene ploščate žične ščetke. Uporaba poškodovane ploščate žične ščetke predstavlja nevarnost poškodb, ki lahko nastanejo zaradi stika z zlomljenimi žicami.

▲POZOR: Pri uporabi ploščatih žičnih ščetk **VEDNO** namestite ustrezen ščitnik in pri tem nastavite primerno oddaljenost. Ščitnik uporabnika varuje pred rezalno ploščo, ki se lahko med delom razleti.

► **SI.19:** 1. Ploščata žična ščetka

Orodje izključite in ga obrnite na glavo, da bo tako vreteno lažje dosegljivo.

Z vretena nato odstranite vse nastavke. Na vreteno namestite ploščato žično ščetko in jo privijte s priloženim ključem.

OBVESTILO: Ne uporabljajte prekomerne sile, saj lahko v tem primeru pri uporabi ploščate žične ščetke pride do pretiranega upogibanja žic. To lahko povzroči predčasen prelom.

Namestitev traku z vponko (pritrditveni trak)

▲ Posebna varnostna opozorila za uporabo na višini

Preberite vsa varnostna opozorila in navodila.

Neupoštevanje opozoril in navodil lahko privede do hudih telesnih poškodb.

1. **Ko delate „na višini“, mora biti orodje vedno pritrjeno s trakom. Maksimalna dolžina traku z vponko je 2 m. Največja dovoljena višina padca za trak z vponko (pritrditveni trak) ne sme presežati 2 m.**
2. **Uporabljajte samo trakove z vponko, ustrezne za to vrsto orodja, z nosilnostjo vsaj 4,0 kg.**
3. **Traku z vponko za orodje na noben način ne pripnite na kar koli na svojem telesu ali na premične predmete. Trak z vponko pripnite na trdno konstrukcijo, ki zdrži silo padca orodja.**
4. **Pred uporabo se prepričajte, da je trak z vponko ustrezno pritrjen na obeh straneh.**
5. **Pred vsako uporabo preglejte orodje in trak z vponko zaradi morebitnih poškodb in preverite delovanje (vključno s tkanino in šivi). V primeru poškodb ali nepravilnega delovanja ju ne uporabljajte. Orodje je treba popraviti zlasti, ko okoli odprtine za trak z vponko nastanejo razpoke ali se prikaže rdeča črta.**
6. **Traku z vponko ne ovijajte okoli ostrih ali grobih robov in poskrbite, da ne pride v stik z njimi.**
7. **Drugi konec traku z vponko pritrдите izven delovnega področja, da je padajoče orodje čvrsto pritrjeno.**
8. **Trak z vponko pritrдите tako, da bo orodje v primeru padca zanihalo stran od upravljavca. Orodja, ki padejo, zanihajo na traku z vponko, kar lahko povzroči poškodbe ali izgubo ravnotežja.**
9. **Orodja ne uporabljajte v bližini premičnih delov ali delujočih strojev. V nasprotnem primeru lahko pride do zmečkanin ali zapletanja v trak.**
10. **Orodja ne prenašajte tako, da visi s priključka ali traku z vponko.**
11. **Orodje vedno držite z rokami in poskrbite, da imate dobro ravnotežje.**
12. **Traku z vponko ne pripnite tako, da ovira pravilno delovanje ščitnikov, sprožilcev ali ročic za zaklep.**
13. **Pazite, da se ne zapletete v trak z vponko.**
14. **Traku z vponko ne približujte območju rezanja.**
15. **Uporabljajte vpenjalno vponko (večnamensko z varovalom). Ne uporabljajte samo enojnih vzmetnih vponk.**
16. **Če vam orodje pade, ga morate označiti in prenehati uporabljati ter odnesti v pregled v tovarno Makita ali pooblaščenemu serviserju.**
17. **Trak z vponko pritrjuje samo z vponko. Traku z vponko ne pritrjujte tako, da ga ovijete ali zavozlate. Ne uporabljajte vrvi ali kablov.**

► **SI.20:** 1. Odprtina za trak z vponko (pritrditveni trak)

VZDRŽEVANJE

⚠ POZOR: Preden se lotite pregledovanja ali vzdrževanja orodja, se vedno prepričajte, da je orodje izklopljeno in vtič izvlečen iz vtičnice.

OBVESTILO: Nikoli ne uporabljajte bencina, razredčila, alkohola ali podobnega sredstva. V tem primeru se lahko orodje razbarva ali deformira oziroma lahko nastanejo razpoke.

VARNO in ZANESLJIVO delovanje tega izdelka bo zagotovljeno le, če boste popravila, vzdrževanje in nastavitve prepustili pooblaščenemu servisu za orodja Makita ali tovarniškemu osebju, ki vgrajuje izključno originalne nadomestne dele.

Čiščenje prezračevalnih rež

Orodje in prezračevalne reže morajo biti čiste. Prezračevalne reže orodja čistite redno ali ko so ovirane.

► **SI.21:** 1. Izpustna reža 2. Vhodna reža

DODATNA OPREMA

⚠ POZOR: Ta dodatni pribor ali pripomočki so predvideni za uporabo z orodjem Makita, ki je opisano v teh navodilih za uporabo. Pri uporabi drugega pribora ali pripomočkov obstaja nevarnost telesnih poškodb. Dodatni pribor ali pripomočke uporabljajte samo za navedeni namen.

Za več informacij o dodatni opremi se obrnite na najbližji pooblaščen servis za orodja Makita.

► **SI.22**

-	Model 100 mm	Model 115 mm	Model 125 mm
1	Stranski ročaj		
2	Ščitnik (za brusilno ploščo)		
3	Notranja prirobnica	Notranja prirobnica/super prirobnica	
4	Rezalna plošča z ugreznjenim centrom/zaporna plošča		
5	Zaskočna matica		
6	Podporna blazinica		
7	Mehka rezalna plošča		
8	Gumeni nastavek 76	Gumeni nastavek 100	Gumeni nastavek 115
9	Brusna plošča		
10	Zaskočna matica za brušenje		
11	Ploščata žična ščetka		
12	Lončasta žična ščetka		
13	Ščitnik (za rezalno ploščo) *1		
14	Abrazivna rezalna plošča/diamantna plošča		
-	Ključ za zaskočno matico		
-	Komplet za zbiralnik prahu		

OPOMBA: *1 V nekaterih evropskih državah lahko pri uporabi diamantnega rezila uporabite običajni ščitnik namesto posebnega, ki pokriva obe strani plošče. Upoštevajte predpise v svoji državi.

OPOMBA: Nekateri predmeti na seznamu so lahko priloženi orodju kot standardna dodatna oprema. Lahko se razlikujejo od države do države.

SPECIFIKIMET

Modeli:	GA4050	GA4050R	GA4550	GA4550R	GA5050	GA5050R
Diametri i diskut	100 mm (4")		115 mm (4-1/2")		125 mm (5")	
Trashësia maks. e diskut	6,4 mm (1/4")		7,2 mm (9/32")			
Filetimi i boshtit	M10		M14 ose 5/8"			
Shpejtësia nominale (n)	11 000 min ⁻¹					
Gjatësia totale	325 mm					
Pesha neto	2,3 - 2,6 kg		2,4 - 2,8 kg		2,5 - 2,8 kg	
Kategoria e sigurisë	▣/II					

- Për shkak të programit tonë të vazhdueshëm të kërkim-zhvillimit, specifikimet që jepen këtu mund të ndryshojnë pa dhënë njoftim.
- Specifikimet mund të ndryshojnë nga njëri shtet në tjetrin.
- Pesha mund të ndryshojë në varësi të aksesorit(ëve). Kombinimi më i lehtë dhe më i rëndë, sipas Procedurës EPTA 01/2014, tregohet në tabelë.

Përdorimi i synuar

Vegla përdoret për të lëmuar, smeriluar dhe për të prerë materiale metali dhe guri pa përdorimin e ujit.

Furnizimi me energji

Vegla duhet të lidhet vetëm me një furnizim me energji me të njëjtin tension të treguar në pllakëzën metalike udhëzuese dhe mund të funksionojë vetëm me rrymë alternative njëfazore. Ata kanë izolim të dyfishtë dhe mund të përdorin priza pa tokëzim.

Zhurma

Niveli tipik i zhurmës A, i matur sipas EN60745-2-3:

Modeli	Niveli i presionit të zhurmës (L _{PA}) : (dB(A))	Niveli i fuqisë së zhurmës (L _{WA}) : (dB(A))	Pasiguria (K): (dB(A))
GA4050	91	102	3
GA4050R	91	102	3
GA4550	91	102	3
GA4550R	91	102	3
GA5050	91	102	3
GA5050R	91	102	3

SHËNIM: Vlerat e deklaruar totale të emetimeve të zhurmës janë matur sipas një metode standarde testimi dhe mund të përdoren për të krahasuar një vegël me një tjetër.

SHËNIM: Vlerat e deklaruara të emetimeve të zhurmës mund të përdoren për një vlerësim paraprak të ekspozimit.

▲PARALAJMËRIM: Mbani mbrojtëse për veshët.

▲PARALAJMËRIM: Emetimet e zhurmës gjatë përdorimit aktual të veglës elektrike mund të ndryshojnë nga vlerat e deklaruara në varësi të mënyrave sesi përdoret vegla, veçanërisht nga lloji i materialit të punës që përdoret.

▲PARALAJMËRIM: Vërtetoni që masat e sigurisë për mbrojtjen e përdoruesit bazohen në vlerësimin e ekspozimit ndaj kushteve aktuale të përdorimit (duke marrë parasysh të gjitha pjesët e ciklit të funksionimit si ato kur pajisja është e fikur dhe punon pa prerë ashtu edhe kohën e përdorimit).

Vlera totale e dridhjeve (shuma e vektorit me tre akse) përcaktohet sipas EN60745-2-3:

Regjimi i punës: lëmim sipërfaqesh me mbajtëse anësore normale

Modeli	Emetimi i dridhjeve ($a_{h, AG}$) : (m/s ²)	Pasiguria (K): (m/s ²)
GA4050	6,5	1,5
GA4050R	6,5	1,5
GA4550	7,0	1,5
GA4550R	7,0	1,5
GA5050	7,5	1,5
GA5050R	7,5	1,5

Regjimi i punës: lëmim sipërfaqesh me mbajtëse anësore kundër dridhjeve

Modeli	Emetimi i dridhjeve ($a_{h, AG}$) : (m/s ²)	Pasiguria (K): (m/s ²)
GA4050	5,5	1,5
GA4050R	5,5	1,5
GA4550	7,0	1,5
GA4550R	7,0	1,5
GA5050	8,5	1,5
GA5050R	8,5	1,5

Regjimi i punës: smerilim me disk me mbajtëse anësore normal

Modeli	Emetimi i dridhjeve ($a_{h, AG}$) : (m/s ²)	Pasiguria (K): (m/s ²)
GA4050	2,5 m/s ² ose më pak	1,5
GA4050R	2,5 m/s ² ose më pak	1,5
GA4550	2,5	1,5
GA4550R	2,5	1,5
GA5050	2,5 m/s ² ose më pak	1,5
GA5050R	2,5 m/s ² ose më pak	1,5

Regjimi i punës: smerilim me disk me mbajtëse anësore kundër dridhjeve

Modeli	Emetimi i dridhjeve ($a_{h, AG}$) : (m/s ²)	Pasiguria (K): (m/s ²)
GA4050	2,5 m/s ² ose më pak	1,5
GA4050R	2,5 m/s ² ose më pak	1,5
GA4550	2,5 m/s ² ose më pak	1,5
GA4550R	2,5 m/s ² ose më pak	1,5
GA5050	2,5 m/s ² ose më pak	1,5
GA5050R	2,5 m/s ² ose më pak	1,5

SHËNIM: Vlerat e deklaruara totale të dridhjeve janë matur sipas një metode standarde testimi dhe mund të përdoren për të krahasuar një vegël me një tjetër.

SHËNIM: Vlerat e deklaruara totale të dridhjeve mund të përdoren për një vlerësim paraprak të ekspozimit.

⚠️ PARALAJMËRIM: Emetimet e dridhjeve gjatë përdorimit aktual të veglës elektrike mund të ndryshojnë nga vlerat e deklaruara në varësi të mënyrave sesi përdoret vegla, veçanërisht nga lloji i materialit të punës që përdoret.

⚠️ PARALAJMËRIM: Vërtetoni që masat e sigurisë për mbrojtjen e përdoruesit bazohen në vlerësimin e ekspozimit ndaj kushteve aktuale të përdorimit (duke marrë parasysh të gjitha pjesët e ciklit të funksionimit si ato kur pajisja është e fikur dhe punon pa prerë ashtu edhe kohën e përdorimit).

⚠️ PARALAJMËRIM: Vlera e deklaruar e emetimeve të dridhjeve përdoret për aplikacionet kryesore të veglës elektrike. Megjithatë, nëse vegla elektrike përdoret për aplikacione të tjera, vlera e emetimeve të dridhjeve mund të ndryshojë.

Deklarata e konformitetit me KE-në

Vetëm për shtetet evropiane

Deklarata e konformitetit me KE-në përfshihet si Shtojca A në këtë manual përdorimi.

PARALAJMËRIME SIGURIE

Paralajmërimet e përgjithshme për sigurinë e veglës

▲ PARALAJMËRIM: Lexoni të gjitha paralajmërimet për sigurinë, udhëzimet, ilustrimet dhe specifikimet e dhëna me këtë vegël elektrike. Mosndjekja e të gjitha udhëzimeve të renditura më poshtë mund të shkaktojë goditje elektrike, zjarr dhe/ose lëndim të rëndë.

Ruajini të gjitha paralajmërimet dhe udhëzimet për të ardhmen.

Termi "vegël elektrike" në paralajmërimet i referohet veglës elektrike që përdoret e lidhur në prizë (me kordon) ose veglës së përdorur me bateri (pa kordon).

Paralajmërimet për sigurinë e lëmuesit

Paralajmërimet për sigurinë e zakonshme gjatë veprimeve të lëmimit, smerilimit, fshirjes me furçë me tela ose prerjes abrazive:

1. Kjo vegël elektrike funksionon si lëmues, smerilues, furçë teli ose prerës. Lexoni të gjitha paralajmërimet për sigurinë, udhëzimet, ilustrimet dhe specifikimet e dhëna me këtë vegël elektrike. Mosndjekja e të gjitha udhëzimeve të renditura më poshtë mund të shkaktojë goditje elektrike, zjarr dhe/ose lëndim të rëndë.
2. Veprimet si lustrimi nuk rekomandohen për t'u kryer me këtë vegël elektrike. Veprimet për të cilat pajisja elektrike nuk është e përshtatshme mund të krijojnë rrezik dhe të shkaktojnë dëmtime personale.
3. Mos përdorni aksesorë që nuk janë projektuar dhe rekomanduar nga prodhuesi i veglës. Fakti që një aksesor mund të montohet në veglën tuaj elektrike, nuk garanton një funksionim të sigurt.
4. Shpejtësia e matur e aksesorit duhet të jetë minimalisht e barabartë me shpejtësinë maksimale të caktuar në veglën elektrike. Aksesorët që e kalojnë shpejtësinë e matur mund të thyhen dhe të ndahen në copa.
5. Diametri i jashtëm dhe trashësia e aksesorit tuaj duhet të jetë brenda kapacitetit të matur të veglës elektrike. Aksesorët me përmasa të gabuara nuk mund të mbrohen ose të kontrollohen siç duhet.
6. Montimi me fileto i aksesorëve duhet të përputhet me fileton e boshtit të makinerisë prerëse. Për aksesorët e montuar me flanxa, vrima e boshtit të aksesorit duhet të përputhet me diametrin e folesë së flanxhës. Aksesorët që nuk përputhen me pjesën montuese të veglës elektrike do të humbasin ekuilibrin, do të lëkunden jashtë mase dhe mund të shkaktojnë humbjen e kontrollit.

7. Mos përdorni aksesorë të dëmtuar. Përpara çdo përdorimi kontrolloni aksesorët si p.sh. disqet abrazive për ciflosje dhe krisje, mbështetëset e disqeve për krisje, gërvishitje ose konsumim, furçën me tela për lirim ose thyerje të telave. Nëse pajisja elektrike ose aksesori bie, kontrolloni për dëmtime ose instaloni një aksesor të padëmtuar. Pas inspektimit dhe instalimit të aksesorëve, qëndroni me personat e tjerë larg trajektoreve së rrotullimit të aksesorit dhe lëreni pajisjen elektrike të punojë me shpejtësi maksimale pa ngarkesë për një minutë. Aksesorët e dëmtuar zakonisht do të shkëputen nga pajisja gjatë këtij testi.
8. Mbani pajisje mbrojtëse personale. Në varësi të përdorimit, përdorni mbrojtëse për fytyrën ose syze sigurie të mëdha ose të vogla. Sipas rastit, mbani maskë kundër pluhurit, mbrojtëse për dëgjimin, doreza dhe përparëse mbrojtëse që mund të ndalojë copëzat abrazive ose të materialit të punës. Mbrojtësja e syve duhet të ketë aftësi të ndalojë copat fluturuese që prodhohen nga veprimet e ndryshme. Maska kundër pluhurit ose respiratori duhet të jenë në gjendje të filtrojnë grimcat e prodhuara nga funksionimi i pajisjes. Ekspozimi për një kohë të gjatë ndaj zhurmave të forta mund të shkaktojë humbjen e dëgjimit.
9. Mos i lejoni personat të afrohen në zonën e punës. Kushdo që hyn në zonën e punës duhet të mbajë veshur mjetet mbrojtëse personale. Copëzat e materialit të punës ose të një aksesori të thyer mund të fluturojnë larg dhe të shkaktojnë dëmtime përtej zonës ku punohet.
10. Mbajeni veglën elektrike vetëm te sipërfaqet e izoluar, kur të jeni duke kryer një veprim në të cilin aksesori prerës mund të kontaktojë me tela të fshehur ose kordonin e vet. Nëse aksesori prerës prek një tel me rrymë, atëherë pjesët metalike të veglës elektrike elektrizohen dhe mund t'i shkaktojnë përdoruesit goditje elektrike.
11. Vendoseni kordonin larg aksesorit rrotullues. Nëse humbisni kontrollin, kordoni mund të pritët ose të ngatërrohet dhe dora ose krahu juaj mund të shkojnë drejt rrotës rrotulluese.
12. Mos e lëshoni veglën elektrike nga dora deri sa aksesori të ketë ndaluar plotësisht. Aksesori që rrotullohet mund të prekë sipërfaqen dhe mund ta nxjerrë veglën elektrike jashtë kontrollit.
13. Mos e ndizni veglën elektrike kur jeni duke e mbajtur anash trupit tuaj. Kontakti aksidental me aksesorin rrotullues mund ta ngeçë atë në rrobata tuaja, duke e tërhequr aksesorin drejt trupit tuaj.
14. Pastroni rregullisht vrimat e ajrosjes së veglës elektrike. Ventilatori i motorit do ta tërheqë pluhurin brenda folesë dhe akumulimi i tepërt i pluhurit të metalit mund të shkaktojë rreziqe elektrike.
15. Mos e përdorni veglën elektrike pranë materialeve të ndezshme. Shkëndijat mund t'i ndezin këto materiale.
16. Mos përdorni aksesorë që kërkojnë ftohës të lëngshëm. Përdorimi i ujit ose i ftohësve të tjerë të lëngshëm mund të rezultojnë në goditje ose në goditje elektrike.

Kundërveprimi dhe paralajmërimet lidhur me të Zmbrapsja është një reagim i shpejtë që ndodh kur disku prerës, mbështetësja e rrotës, forca ose çdo aksesor tjetër bllokohet ose ngec. Bllokimi ose ngecja shkaktojnë ndalesë të menjëhershme të aksesorit rrotullues, i cili si pasojë bën që pajisja elektrike e pakontrolluar të shtyhet në drejtimin e kundërt të rrotullimit të aksesorit deri në pikën e lidhjes. Për shembull, nëse disku abrazive ngec ose bllokohet nga materiali i punës, tehu i diskut që hyn në vendin e bllokimit mund të godasë sipërfaqen e materialit duke shkaktuar daljen ose kërcimin e diskut nga vendi. Disku mund të kërcejë në drejtim të punëtorit ose larg tij, në varësi të drejtimt të lëvizjes së diskut në momentin e bllokimit. Disqet abrazive mund të thyhen në të tilla kushte. Kundërveprimi është rezultat i keqpërdorimit të veglës elektrike dhe/ose procedurave ose kushteve të pasakta të përdorimit dhe mund të shmanget duke marrë masat e mëposhtme parandaluese.

- Mbajeni veglën elektrike fort dhe vendosni trupin dhe krahun në mënyrë që të pengoni forcat kundërvepruese.** Përdorni gjithmonë dorezën ndihmëse, nëse mundësohet, për një kontroll maksimal mbi kundërveprimin ose reagimin rrotullues gjatë ndezjes. Përdoruesi mund të kontrollojë reagimet rrotulluese ose forcat kundërvepruese, nëse merrn masa parandaluese.
- Mos e vini kurrë dorën pranë aksesorit rrotullues.** Aksesorit mund të kundërveprojë mbi dorën tuaj.
- Mos e poziciononi trupin tuaj në zonën ku vegla elektrike do të lëvizë nëse ndodh kundërveprimi.** Kundërveprimi do ta dërgojë veglën në drejtimin e kundërt të lëvizjes së diskut në pikën e ngecjes.
- Tregoni kujdes të veçantë kur të punoni në cepa, anë të mprehta etj.** Shmangni kërcimet dhe ngecjen e aksesorit. Cepat, anët e mprehta ose kërcimet kanë një tendencë për të shkaktuar ngecjen e aksesorit rrotullues që shkakton humbjen e kontrollit ose kundërveprimin.
- Mos vendosni një teh sharre me zinxhir për drutë ose një teh sharre me dhëmbë.** Disqe të tilla krijojnë kundërveprime të shpeshta dhe humbje të kontrollit.

Paralajmërimet për sigurinë specifike gjatë veprimeve të lëmimit dhe prerjes abrazive:

- Përdorni vetëm llojet e disqeve që janë të rekomanduara për veglën tuaj elektrike dhe mbrojtësen specifike të projektuar për diskun e zgjedhur.** Disqet të cilët nuk janë projektuar për veglën elektrike nuk mund të mbrohen dhe nuk janë të sigurta.
- Sipërfaqja smeriluese e disqeve të shtypur qendrorë duhet të montohet poshtë rrafshit të buzëve mbrojtëse.** Një disk që është montuar keq dhe që del nga rrafshi i buzëve mbrojtëse, nuk mund të mbrohet siç duhet.
- Mbrojtësja duhet të lidhet në mënyrë të sigurt me veglën elektrike dhe të pozicionohet për siguri maksimale, në mënyrë që një pjesë shumë e vogël e diskut të jetë e zbuluar nga përdoruesi.** Mbrojtësja ndihmon në ruajtjen e përdoruesit nga copëzat e thyera të diskut, kontakti aksidental me diskun dhe shkëndijat që mund të ndezin rrobat.

- Disqet duhet të përdoren vetëm për përdorimet e rekomanduara. Për shembull: mos smeriloni me anën e diskut prerës.** Disqet abrazive prerëse janë synuar për smerilim anësor, forcat anësore të ushtruara mbi këto disqe mund të shkaktojnë thyerjen e tyre.
- Gjithmonë përdorni flanaxha disqesh të padëmtuara të madhësisë dhe formës së diskut të zgjedhur.** Flanaxhat e përshtatshme të disqeve e mbështesin diskun duke reduktuar mundësinë e thyerjes së saj. Flanaxhat për disqet e prerjes mund të jenë ndryshe nga flanaxhat e disqeve të smerilimit.
- Mos përdorni disqe të konsumuara nga pajisje më të mëdha elektrike.** Disku i synuar për pajisje më të mëdha elektrike nuk është i përshtatshëm për shpejtësinë e madhe të pajisjes së vogël dhe mund të plasë.

Paralajmërimet për sigurinë specifike gjatë veprimeve të prerjes abrazive:

- Mos e "bllokoni" diskun prerës ose mos aplikoni presion të tepërt mbi të.** Mos provoni të kryeni prerje të thella. Ushtrimi i forcës së tepërt mbi disk rrit ngarkesën dhe ndeshmërinë ndaj përdrejtëve ose kapjes së diskut gjatë prerjes dhe mundësinë e kundërveprimi ose të thyerjes së diskut.
- Mos e poziciononi trupin tuaj në një linjë dhe mbraja diskut rrotullues.** Kur disku, në pikën e veprimi, po largohet nga trupi juaj, kundërveprimi i mundshëm mund ta dërgojë diskun prerës dhe veglën elektrike në drejtimin tuaj.
- Kur disku kapet ose kur ndërprisni prerjen për çdo lloj arsyeje, fikeni veglën elektrike dhe mbajeni pa lëvizur derisa disku të ndalojë plotësisht.** Mos tentoni kurrë ta tërhiqni diskun nga vendi i prerjes ndërsa disku është duke lëvizur, përndryshe mund të ndodhë kundërveprimi. Hetoni dhe ndërmerrni veprime korrigjuese për të eliminuar ngecjen e diskut.
- Mos e rifilloni procesin e prerjes në materialin e punës.** Lejoni diskun të arrijë shpejtësinë maksimale dhe më pas rifilloni prerjen. Disku mund të kapet, të shkojë lart ose të kundërveprojë nëse vegla elektrike rindizet brenda materialit të punës.
- Mbështetni panelët ose çdo material pune të madh për të minimizuar rrezikun e bllokimit dhe të kundërveprimi të diskut.** Materialet e mëdha të punës kanë tendencë të përkulen nga pesha e tyre. Mbështetëset duhet të vendosen poshtë materialit të punës pranë vijës së prerjes dhe buzës së materialit të punës nga të dyja anët e diskut.
- Tregoni kujdes të veçantë kur të bëni një "prerje në xhep" mbi muret ekzistuese ose në zona të tjera me shikim të kufizuar.** Disku i dalë mund të presë tuba gazi ose uji, tela elektrikë ose objekte që shkaktojnë kundërveprim.

Paralajmërimet për sigurinë specifike gjatë veprimeve të smerilimit:

- Mos përdorni një letër të madhe disku për smerilim.** Ndiqni rekomandimet e prodhuesve kur të zgjidhni letërën smerile. Letra smerile më e madhe se mbështetësja e rrotës krijon rrezik dëmtimi dhe mund të shkaktojë ngecjen, thyerjen ose kundërveprimin e diskut.

Paralajmërimet për sigurinë specifike gjatë veprimeve të fshirjes me tela:

1. **Kini parasysh se qimet e forta të telit shkëputen nga furça edhe gjatë funksioneve të zakonshme. Mos i sforconi telat duke ushtruar forcë mbi furçën.** Qimet e forta të telit mund të depërtojnë në rrobat e holla dhe/ose në lëkurë.
2. **Nëse rekomandohet përdorimi i mbrojtës për fshirjen me tela, mos lejoni ndërhyrje të diskut ose furçës së telit të mbrojtësja.** Disku ose furça e telit mund të zgjerohet në diametër nga ngarkesa e punës dhe forcat centrifugale.

Paralajmërimet shtesë mbi sigurinë:

1. **Kur të përdorni disqe lëmues me qendër të shtypur, sigurohuni të përdorni vetëm disqe të përfurcuar me fibrë qelqi.**
2. **KURRË MOS PËRDORNI** disqe të llojit Stone Cup me këtë lëmues. Ky lëmues nuk është projektuar për këto lloje disqesh dhe përdorimi i këtij produkti mund të shkaktojë dëmtime personale.
3. **Tregoni kujdes se mos dëmtoni boshtin, flanxhën (sidomos sipërfaqen e instalueshme) ose dadon e bllokimit. Dëmtimi i këtyre pjesëve mund të shkaktojë thyerjen e diskut.**
4. **Sigurohuni që disku nuk e prek materialin e punës përpara se të ndizet çelësi.**
5. **Përpara se të përdorni veglën mbi një material aktual, lëreni të punojë për ca kohë. Tregoni kujdes për dridhjet ose lëkundjet që dëshmojnë për një instalim të gabuar ose një disk jo në ekuilibër.**
6. **Përdorni sipërfaqen e specifikuar të diskut për të kryer lëminin.**
7. **Mos e lini veglën të ndezur. Përdorëni veglën vetëm duke e mbajtur në dorë.**
8. **Mos e prekni materialin e punës menjëherë pas punës; mund të jetë shumë i nxehtë dhe mund t'ju djegë lëkurën.**
9. **Mos i prekni aksesorët menjëherë pas punës; mund të jenë shumë të nxehtë dhe mund t'ju djegin lëkurën.**
10. **Shihni udhëzimet e prodhuesit për montimin dhe përdorimin e saktë të disqeve. Trajtoni dhe ruajini disqet me kujdes.**
11. **Mos përdorni unaza zvogëluese ose reduktorë për të përshtatur disqet abrazive me vrimë të madhe.**
12. **Përdorni vetëm flanxa specifike për këtë vegël.**
13. **Për veglat që do të punojnë me disqe që kanë vrimë të filetuar, sigurohuni që fileta në disk të jetë aq e gjatë sa të pranojë të gjithë boshtin.**
14. **Kontrolloni që materiali i punës është mbështetur siç duhet.**
15. **Tregoni kujdes, sepse disku vazhdon rrotullimin edhe pasi të jetë fikur vegla.**
16. **Nëse ambienti i punës është shumë i nxehtë dhe me lagështirë ose i ndotur shumë me pluhur të përçueshëm, përdorni një ndërprerës qarku (30 mA) për të siguruar përdoruesin.**
17. **Mos e përdorni veglën mbi materiale që përbajnë asbest.**

18. **Kur përdorni disk prerës, gjithmonë punoni me mbrojtësen e diskut që mbledh pluhurin siç kërkohet nga rregullat vendase.**
19. **Mbi disqet prerës nuk duhet të ushtrohet forcë anësore.**
20. **Mos përdorni doreza pune prej lecke gjatë punës.** Fibrat e dorezave prej lecke mund të futen te vegla, gjë e cila shkakton prishjen e veglës.

RUAJINI KËTO UDHËZIME.

▲PARALAJMËRIM: MOS lejoni që njohja ose familjarizimi me produktin (të fituara nga përdorimi i shpeshhtë) të zëvendësojnë zbatimin me përpikëri të rregullave të sigurisë për produktin në fjalë. KEQPËRDORIMI ose mosndjekja e rregullave të sigurisë të dhëna në këtë manual përdorimi mund të shkaktojë dëmtime të rënda personale.

PËRSHKRIMI I PUNËS

▲KUJDES: Sigurohuni gjithmonë që vegla është fikur dhe hequr nga korrenti përpara se ta rregulloni apo t'i kontrolloni funksionet.

Bllokuesi i boshtit

Shtypni bllokimin e boshtit për të parandaluar rrotullimin e boshtit gjatë instalimit apo heqjes së aksesorëve.

► Fig.1: 1. Bllokuesi i boshtit

VINI RE: Mos e aktivizoni kurrë bllokimin e boshtit kur boshti është në rrotullim. Vegla mund të dëmtohet.

Veprimi i ndërrimit

▲KUJDES: Përpara se ta vendosni veglën në korrent, kontrolloni gjithmonë nëse këmbëza e çelësit është në pozicionin e duhur dhe nëse kthehet në pozicionin "FIKUR" kur lëshohet.

▲KUJDES: Mos e tërhiqni me forcë levën e çelësit pa shtypur butonin e zhbllokimit. Çelësi mund të thyhet.

Për të parandaluar tërheqjen aksidentale të çelësit, jepet një levë zhbllokimi. Për ta ndezur veglën, tërhiqni levën e zhbllokimit drejt përdoruesit dhe më pas tërhiqni levën e çelësit. Lëshoni levën e çelësit për ta ndaluar.
► Fig.2: 1. Leva e zhbllokimit 2. Leva e çelësit

Mbrojtja ndaj rindezjes aksidentale

Vetëm për modelin GA4050R / GA4550R / GA5050R

Vegla nuk ndizet kur tërhiqni levën e çelësit edhe kur vegla është në prizë. Për ta ndezur veglën, në fillim tërhiqni levën e çelësit. Pastaj tërhiqni levën e zhbllokimit dhe tërhiqni levën e çelësit.

SHËNIM: Prisi më shumë se një sekondë përpara se të rindizni veglën kur vihet në funksionim mbrojtja ndaj rindezjes aksidentale.

Veçoria e ndezjes së ngadaltë

Vetëm për modelin GA4050R / GA4550R / GA5050R

Veçoria e ndezjes së ngadaltë redukton reagimin gjatë ndezjes.

MONTIMI

▲KUJDES: Jini gjithnjë të sigurt që vegla është fikur dhe hequr nga korrenti përpara se të bëni ndonjë punë mbi të.

Instalimi i mbajtëses (dorezës) anësore

▲KUJDES: Sigurohuni gjithnjë që mbajtësja anësore është instaluar siç duhet përpara përdorimit.

Vidhoseni mirë mbajtësen anësore në pozicionin e veglës siç tregohet në figurë.

► Fig.3

Instalimi ose heqja e mbrojtëses së diskut

▲PARALAJMËRIM: Kur përdorni disk me qendër të shtypur, disk me kënd, disk fleksibël ose disk me furçë me tela, mbrojtësja e diskut duhet të përshtatet në vegël në mënyrë të tillë që ana e mbyllur e mbrojtëses të jetë gjithmonë e drejtuar nga përdoruesi.

▲PARALAJMËRIM: Sigurohuni që mbrojtësja e diskut të jetë bllokuar në mënyrë të sigurt me levën e bllokimit me një prej vrimave të mbrojtëses së diskut.

▲PARALAJMËRIM: Kur përdorni disk smeril prerës / diamanti, sigurohuni të përdorni vetëm mbrojtësen e posaçme të diskut të projektuar për përdorim me disqe prerëse.

(Në disa vende të Evropës, kur përdorni disk diamanti, mund të përdorni mbrojtësen e zakonshme. Ndiqni rregullat e shtetit ku ndodheni.)

Për disk me qendër të shtypur, disk me kënd, disk fleksibël, furçë disku me tela / disk prerës smeril, disk diamanti

1. Gjatë shtyrjes së levës së çelësit, montojeni mbrojtësen e diskut me pjesët e dala të mbrojtëses së diskut të bashkërenditura me dhëmbëzat në kutinë mbajtëse.

► Fig.4: 1. Leva e bllokimit 2. Dhëmbëza 3. Pjesa e dalë

2. Gjatë shtyrjes së levës së bllokimit drejt A, mban i shtypur pjesët B të mbrojtëses së diskut, siç tregohet në figurë.

► Fig.5: 1. Mbrojtësja e diskut 2. Vrima

SHËNIM: Shtyjeni poshtë mbrojtësen e diskut drejt. Ndryshe, nuk mund ta shtyni plotësisht mbrojtësen e diskut.

3. Gjatë shtyrjes së levës së bllokimit, rrotulloni mbrojtësen e diskut drejt C dhe më pas, ndryshoni këndin e mbrojtëses së diskut sipas procesit të punës, për mbrojtjen e operatorit. Bashkërenditni levën e bllokimit me një nga vrimat në mbrojtësen e diskut dhe më pas lioni levën e bllokimit për të bllokuar mbrojtësen e diskut.

► Fig.6: 1. Mbrojtësja e diskut 2. Vrima

Për ta hequr mbrojtësen e diskut, ndiqni procedurën e anasjelltë të instalimit.

Instalimi ose heqja e diskut me qendër të shtypur ose diskut me kënd

Aksesorë opsionalë

▲PARALAJMËRIM: Kur përdorni disk me qendër të shtypur ose disk me kënd, mbrojtësja e diskut duhet të përshtatet në vegël në mënyrë të tillë që ana e mbyllur e mbrojtëses të tregojë gjithnjë nga përdoruesi.

▲KUJDES: Sigurohuni që pjesa e montimit të flanxhës së brendshme të përputhet me diametrin e brendshëm të diskut me qendër të shtypur / diskut me kënd. Montimi i flanxhës së brendshme në anën e gabuar mund të shkaktojë dridhje të rezikshme.

Montoni flanxhën e brendshme në bosht.

Sigurohuni që pjesën e dhëmbëzuar të flanxhës së brendshme ta vendosni mbi pjesën e drejtë poshtë boshtit.

Futni diskut me qendër të shtypur / diskut me kënd në flanxhën e brendshme dhe vidhoseni dadon bllokuese te boshti.

► Fig.7: 1. Dado e kyçjes 2. Disk me qendër të shtypur 3. Flanxa e brendshme 4. Pjesa e montimit

Për ta shtrënguar dadon bllokuese, shtypni bllokimin e boshtit aq fort sa boshti të mos rrotullohet më, pastaj përdorni çelësin e dados së bllokimit dhe shtrëngojeni mirë në drejtim të akrepave të orës.

► Fig.8: 1. Çelësi i dados së bllokimit 2. Bllokuesi i boshtit

Për ta hequr diskut, ndiqni procedurën e anasjelltë të instalimit.

Instalimi ose heqja e diskut fleksibël

Aksesorë opsionalë

▲PARALAJMËRIM: Përdorni gjithmonë mbrojtësen e dhënë me veglën kur disku fleksibël është i vendosur mbi vegël. Disku mund të thyeret gjatë përdorimit dhe mbrojtësja ndihmon në uljen e mundësive për lëndime personale.

► Fig.9: 1. Dado e kyçjes 2. Disku fleksibël 3. Pllaka rezervë 4. Flanxa e brendshme

Ndiqni udhëzimet për diskut me qendër të shtypur, por përdorni edhe pllakën rezervë mbi disk. Shihni radhën e montimit në faqen e aksesorëve në këtë manual.

Instalimi ose heqja e diskut abraziv

Aksesorë opsionalë

Për modelin 100 mm

- **Fig.10:** 1. Dadoja bllokuese 2. Disk smerilimi
3. Blloku prej gome 4. Flanxa e brendshme

1. Montoni flanxhën e brendshme në bosht.
2. Montoni bllokun e gomës në bosht.
3. Futni diskut në plakën prej gome dhe vidhosni dadon bllokuese në bosht.
4. Mbajeni boshtin me bllokuesin e boshtit, dhe shtërngoni mirë dadon bllokuese në drejtim të kundërt të akrepave të orës me çelësin për dadon e bllokimit.

Për modelin 115 mm / 125 mm

- **Fig.11:** 1. Dadoja bllokuese 2. Disk smerilimi
3. Blloku prej gome

1. Montoni bllokun e gomës në bosht.
2. Futni diskut në plakën prej gome dhe vidhosni dadon bllokuese në bosht.
3. Mbajeni boshtin me bllokuesin e boshtit, dhe shtërngoni mirë dadon bllokuese në drejtim të kundërt të akrepave të orës me çelësin për dadon e bllokimit.

Për ta hequr diskut, ndiqni procedurën e anasjellë të instalimit.

SHËNIM: Përdorni vetëm aksesorët rektifikues të përcaktuar në këtë manual. Këto duhet të blihen më vete.

PËRDORIMI

▲ PARALAJMËRIM: Nuk duhet të jetë kurrë e nevojshme të sforconi veglën. Pesha e veglës jep presionin e duhur. Sforcimi dhe presioni i tepërt mund të shkaktojë thyerje të rrezikshme të diskut.

▲ PARALAJMËRIM: Zëvendësojeni GJITHMONË diskut nëse vegla bie gjatë lëmimit.

▲ PARALAJMËRIM: Mos e përplasni apo godisni KURRË diskut e lëmimit në punë.

▲ PARALAJMËRIM: Shmangni kërcimet dhe ngecjen e diskut, veçanërisht kur punoni me këndet, cepat e mprehtë, etj. Kjo mund të shkaktojë humbje të kontrollit dhe kundërveprim.

▲ PARALAJMËRIM: Mos e përdorni KURRË veglën me disqe për prerje të drurit apo disqe të tjera sharrash. Tehet e tilla kur përdoren me lëmues kërcëjnë shpesh dhe shkaktojnë humbje të kontrollit që mund të sjellë lëndimin tuaj.

▲ PARALAJMËRIM: Vazhdimi i përdorimit të një rrote të konsumuar mund të rezultojë në shpërtim të rrotës dhe në lëndime të rënda personale.

▲ KUJDES: Mos e ndizni kurrë veglën kur është në kontakt me materialin e punës. Kjo mund të shkaktojë lëndim të përdoruesit.

▲ KUJDES: Gjithmonë përdorni syze mbrojtëse ose një mbrojtëse të fytyrës gjatë punës.

▲ KUJDES: Pas pune fikeni gjithnjë veglën dhe prisni derisa disku të ndalojë tërësisht përpara se ta vendosni veglën ndalo.

▲ KUJDES: Mbajeni veglën GJITHMONË mirë me njërin dorë në trup dhe me tjetrën në mbajtësen (dorezën) anësore.

Përdorimi me disk

- **Fig.12**

Ndizni veglën dhe më pas vendosni diskut mbi materialin e punës. Përgjithësisht, mbajeni buzën e diskut në një kënd rreth 15° ndaj sipërfaqes së materialit të punës. Gjatë periudhës së përdorimit të një disku të ri, mos e përdorni lëmuesin në drejtimin përpara sepse përndryshe mund të futet në materialin e punës. Pasi buza e diskut të jetë rrrumbullakosur nga përdorimi, disku mund të përdoret si në drejtimin përpara ashtu dhe në drejtimin prapa.

Puna me disk prerës smeril / disk diamanti

Aksesorë opsionalë

▲ PARALAJMËRIM: Kur përdorni disk smeril prerës / diamanti, sigurohuni të përdorni vetëm mbrojtësen e posaçme të diskut të projektuar për përdorim me disqe prerëse.

(Në disa vende të Evropës, kur përdorni disk diamanti, mund të përdorni mbrojtësen e zakonshme. Ndiqni rregullat e shtetit ku ndodheni.)

▲ PARALAJMËRIM: Mos përdorni KURRË disk prerës për lëmim anësor.

▲ PARALAJMËRIM: Mos e "blokoni" diskut ose mos aplikoni presion të tepërt mbi të. Mos provoni të kryeni prerje të thella. Sforcimi i tepërt i diskut shton ngarkesën dhe gjasat për përdredhje ose kapje të diskut përgjatë prerjes dhe mundësinë e zbrapsjes, mund të ndodhë thyerje e diskut ose mbinxehje e motorit.

▲ PARALAJMËRIM: Mos e filloni prerjen brenda materialit të punës. Lërimi diskut në kapë shpejtësinë maksimale dhe filloni me kujdes prerjen duke e lëvizur veglën përpara mbi sipërfaqen e materialit të punës. Disku mund të kapet, të kërcëjë sipër ose të zbrapset nëse vegla elektrike nisat brenda materialit të punës.

▲ PARALAJMËRIM: Gjatë prerjeve mos e ndryshoni kurrë këndin e diskut. Ushtrimi i presionit anësor mbi diskut prerës (ashtu si gjatë lëmimit) do të shkaktojë krisjen dhe thyerjen e diskut, duke ju shkakuar lëndime të rënda.

▲ PARALAJMËRIM: Disku i diamantit duhet të përdoret pingul mbi materialin që do të pritët.

- **Fig.13:** 1. Dado e kyçjes 2. Disku prerës smeril / disku i diamantit 3. Flanxa e brendshme 4. Mbrojtësja e diskut për diskun smerilues prerës / diskut e diamantit

Njëlloj si me instalimin, ndiqni udhëzimet për diskun e me qendër të shtypur.

Drejtimi për montimin e dados së bllokimit dhe të trashxhës së brendshme ndryshon sipas llojit dhe trashësisë së diskut.

Referojuni figurave më poshtë.

Për modelin 100 mm

Kur instaloni diskun smerilues prerës:

- **Fig.14:** 1. Dado e kyçjes 2. Disku smerilues prerës (më i hollë se 4 mm) 3. Disku smerilues prerës (4 mm ose më i trashë) 4. Flanxa e brendshme

Kur instaloni diskun e diamantit:

- **Fig.15:** 1. Dado e kyçjes 2. Disku i diamantit (më i hollë se 4 mm) 3. Disku i diamantit (4 mm ose më i trashë) 4. Flanxa e brendshme

Për modelin 115 mm / 125 mm

Kur instaloni diskun smerilues prerës:

- **Fig.16:** 1. Dado e kyçjes 2. Disku smerilues prerës (më i hollë se 4 mm) 3. Disku smerilues prerës (4 mm ose më i trashë) 4. Flanxa e brendshme

Kur instaloni diskun e diamantit:

- **Fig.17:** 1. Dado e kyçjes 2. Disku i diamantit (më i hollë se 4 mm) 3. Disku i diamantit (4 mm ose më i trashë) 4. Flanxa e brendshme

Vënia në punë me furça me kupë me tela

Aksesorë opsionalë

▲KUJDES: Kontrolloni funksionimin e furçës duke e ndezur veglën pa ngarkesë, duke u siguruar se nuk ndodhet askush përpara ose në një drejtim me furçën.

▲KUJDES: Mos përdorni furçë të dëmtuar ose jo të ekuilibruar. Përdorimi i furçës së dëmtuar mund të rrisë mundësitë për lëndime nga kontakti me telat e prishura të furçës.

- **Fig.18:** 1. Furçë me kupë me tela

Hiqni veglën nga priza dhe vendoseni me kokë poshtë duke lejuar arritjen e lehtë të boshtit.

Hiqni çdo aksesor nga boshti. Montoni në bosht furçën me kupë me tela dhe shtrëngojeni me çelësin e ofruar.

VINI RE: Shmangni aplikimin e presionit të tepërt që shkakton përkuljen e telave kur përdorni furçën. Kjo mund të sjellë prishje të parakohshme.

Vënia në punë me furça disku me tela

Aksesorë opsionalë

▲KUJDES: Kontrolloni funksionimin e diskut me furçë me tela duke e ndezur veglën pa ngarkesë, duke u siguruar se nuk ndodhet askush përpara ose në një drejtim me diskun me furçë me tela.

▲KUJDES: Mos përdorni disk me furçë me tela të dëmtuar ose jo të ekuilibruar. Përdorimi i diskut me furçë me tela të dëmtuar mund të rrisë mundësitë për lëndime nga kontakti me telat e prishura.

▲KUJDES: Përdorni GJITHMONË mbrojtësen për diskun me furçë me tela, duke u siguruar që diametri i diskut të përputhet brenda mbrojtëses. Disku mund të thyhet gjatë përdorimit dhe mbrojtësja ndihmon në uljen e mundësisë për lëndime personale.

- **Fig.19:** 1. Furçë disku me tela

Hiqni veglën nga priza dhe vendoseni me kokë poshtë duke lejuar arritjen e lehtë të boshtit.

Hiqni çdo aksesor nga boshti. Filetoni në bosht diskun me furçë me tela dhe shtrëngojeni me çelës.

VINI RE: Shmangni aplikimin e presionit të tepërt që shkakton përkuljen e telave kur përdorni furçë disku me tela. Kjo mund të sjellë prishje të parakohshme.

Lidhja me kordon (rrip lidhës)

▲Paralajmërimet e sigurisë specifike për përdorimin në lartësi

Lexoni të gjitha paralajmërimet dhe udhëzimet

për sigurinë. Mosndjekja e paralajmërimeve dhe e udhëzimeve mund të rezultojë në lëndime serioze.

1. Gjithmonë mbajeni veglën të lidhur kur punoni "në lartësi". Gjatësia maksimale e kordonit është 2 m. Lartësia maksimale e lejueshme e rënies së kordonit (rripit lidhës) nuk duhet të jetë mbi 2 m.
2. Përdoreni vetëm me kordon të përshtatshëm për këtë lloj vegle dhe të miratuar për të paktën 4,0 kg.
3. Mos e ankoroni kordonin e veglës në ndonjë gjë në trupin tuaj ose në komponentë të lëvizshëm. Ankoroni kordonin e veglës në një strukturë të fortë që mund t'u bëjë ballë forcave të një vegle që bie.
4. Sigurohuni që kordoni të jetë i siguruar mirë në secilën anë përpara përdorimit.
5. Inspektojeni veglën dhe kordonin përpara çdo përdorimi për dëmtime dhe për funksionimin e rregullt (duke përfshirë copën dhe fijet e qepjes). Mos e përdorni nëse është i dëmtuar ose nuk funksionon në rregull. Vegla duhet të riparohet veçanërisht kur rrotull vrimës për kordonin shfaqet një e krisur ose vijë e kuqe.
6. Mos i mbështillni kordonët rrotull cepave të mprehtë ose të ashpër, ose mos i lejoni të bien në kontakt me to.
7. Shtrëngojeni anën tjetër të kordonit jashtë zonës së punës në mënyrë që vegla të mbahet në mënyrë të sigurt nëse bie.
8. Lidhni kordonin në mënyrë të tillë që vegla të lëvizë larg nga operatori nëse bie. Veglat që bien do të luhaten në kordon, gjë që mund të shkaktojë lëndim ose humbje të ekuilibrit.

9. Mos e përdorni pranë pjesëve që lëvizin ose makinerive që janë në punë. Në të kundërt, mund të shkaktohet rrezik shtypjeje ose ngecjeje.
10. Mos e transportoni veglën nga pajisja e bashkuar ose nga kordoni.
11. Transferojeni veglën nga njëra dorë në tjetrën vetëm kur keni ekuilibrin e duhur.
12. Mos i bashkoni kordonët me veglën në mënyrë të tillë që pengon funksionimin e mbrojtëseve, çelësave ose zhbllokuesve.
13. Shmangni ngecjen nëpër kordon.
14. Mbajeni kordonin larg zonës së prerjes së veglës.
15. Përdorni një kllapë bllokuese me sustë (tipi me mbyllje me vidhosje dhe me shumë veprime). Mos përdorni kllapa me kapje me sustë me një veprim.
16. Në rast se vegla rrëzohet, ajo duhet të etiketohet dhe të hiqet nga shërbimi dhe duhet të inspektohet nga një fabrikë ose qendër e autorizuar shërbimi Makita.
17. Bashkoni kordonin vetëm me një kllapë me kyçje. Mos e bashkoni kordonin duke e bërë lak ose duke e lidhur kordonin. Mos përdorni litarë ose kordonë.

► Fig.20: 1. Vrima për kordonin (rripi lidhës)

MIRËMBAJTJA

▲KUJDES: Sigurohuni gjithnjë që vegla të jetë fikur dhe të jetë hequr nga korrenti përpara se të kryeni inspektimin apo mirëmbajtjen.

VINI RE: Mos përdorni kurrë benzinë, benzinë pastrimi, hollues, alkoool dhe të ngjashme. Mund të shkaktoni çngjyrosje, deformime ose krisje.

Për të ruajtur SIGURINË dhe QËNDRUESHMËRINË, riparimet dhe çdo mirëmbajtje apo rregullim tjetër duhen kryer nga qendrat e autorizuar të shërbimit ose të shërbimit të fabrikës të Makita-s, duke përdorur gjithnjë pjesë këmbimi të Makita-s.

Pastrimi i vrimave të ajrit

Vegla dhe ventilatorët e saj duhen mbajtur pastër. Pastrojini rregullisht vrimat e ajrit të veglës ose kurdo që nisin të bllokohen.

► Fig.21: 1. Vrima e daljes 2. Vrima e hyrjes

AKSESORË OPSIONALË

▲KUJDES: Këta aksesorë ose shtojca rekomandohen për përdorim me veglën Makita të përcaktuar në këtë manual. Përdorimi i aksesorëve apo shtojcave të tjera ndryshe nga këto mund të përbëjë rrezik lëndimi. Aksesorët ose shtojcat përdorini vetëm për qëllimin e tyre të përcaktuar.

Nëse keni nevojë për më shumë të dhëna në lidhje me aksesorët, pyesni qendrën vendore të shërbimit të Makita-s.

► Fig.22

-	Modeli 100 mm	Modeli 115 mm	Modeli 125 mm
1	Mbjatësja anësore		
2	Mbrojtësja e diskut (për disqet lëmues)		
3	Flanxa e brendshme	Flanxa e brendshme / Super flanxa	
4	Disku me qendër të shtypur / Disku me kënd		
5	Dado e kyçjes		
6	Pllaka rezervë		
7	Disku fleksibël		
8	Pllaka e gomës 76	Pllaka e gomës 100	Pllaka e gomës 115
9	Disk smerilimi		
10	Dadoja bllokuese		
11	Furçë disku me tela		
12	Furçë me kupë me tela		
13	Mbrojtësja e diskut (për disqet prerës) *1		
14	Disku prerës smeril / Disku i diamantit		
-	Çelësi i dados së bllokimit		
-	Pajisja e kutisë së pluhurave		

SHËNIM: *1 Në disa vende evropiane, kur përdoret një disk diamanti, mund të përdoret mbrojtësja e zakonshme që mbulon të dyja anët e diskut. Ndiqni rregullat e shtetit ku ndodheni.

SHËNIM: Disa artikuj të listës mund të përfshihen në paketën e veglës si aksesorë standardë. Ato mund të ndryshojnë nga njëri shtet në tjetrin.

СПЕЦИФИКАЦИИ

Модел:	GA4050	GA4050R	GA4550	GA4550R	GA5050	GA5050R
Диаметър на диска	100 мм (4")		115 мм (4-1/2")		125 мм (5")	
Макс. дебелина на диска	6,4 мм (1/4")		7,2 мм (9/32")			
Резба на вала	M10		M14 или 5/8"			
Номинални обороти (n)	11 000 мин ⁻¹					
Обща дължина	325 мм					
Него тегло	2,3 – 2,6 кг		2,4 – 2,8 кг		2,5 – 2,8 кг	
Клас на безопасност	□/II					

- Поради нашата непрекъсната научно-развойна дейност посочените тук спецификации могат да бъдат променени без предизвестие.
- Спецификациите може да са различни в различните държави.
- Теглото може да бъде различно в зависимост от приставката(ите). Най-леката и най-тежката комбинация в съответствие с процедурата на ЕРТА 01/2014 са показани в таблицата.

Предназначение

Този инструмент е предназначен за шлайфане, шлифване и рязане на метал и камък без използване на вода.

Захранване

Инструментът трябва да се включва само към захранване със същото напрежение, като посоченото на фирмената табелка и работи само с монофазно променливо напрежение. Той е с двойна изолация и затова може да се включва и в контакти без заземяване.

Шум

Обичайното ниво на шума с тегловен коефициент А, определено съгласно EN60745-2-3:

Модел	Ниво на звуково налягане (L _{pA}): (dB(A))	Ниво на звукова мощност (L _{WA}): (dB(A))	Коефициент на неопределеност (K): (dB(A))
GA4050	91	102	3
GA4050R	91	102	3
GA4550	91	102	3
GA4550R	91	102	3
GA5050	91	102	3
GA5050R	91	102	3

ЗАБЕЛЕЖКА: Обявената(ите) стойност(и) на шумовите емисии е(са) измерена(и) в съответствие със стандартни методи за изпитване и може да се използва(т) за сравняване на инструменти.

ЗАБЕЛЕЖКА: Обявеното(ите) стойност(и) на шумови емисии може да се използва(т) също и за предварителна оценка на вредното въздействие.

▲ ПРЕДУПРЕЖДЕНИЕ: Използвайте предпазни средства за слуха.

▲ ПРЕДУПРЕЖДЕНИЕ: Нивото на шума при работа с електрическия инструмент може да се различава от обявената(ите) стойност(и) в зависимост от начина на използване на инструмента, по-специално какъв детайл се обработва.

▲ ПРЕДУПРЕЖДЕНИЕ: Задължително определете предпазни мерки за защита на оператора въз основа на оценка на риска в реални работни условия (като се вземат предвид всички етапи на работния цикъл, като например момента на изключване на инструмента, работата на празен ход, както и времето на задействане).

Вибрации

Общата стойност на вибрациите (сума от три осови вектора), определена съгласно EN60745-2-3:

Работен режим: шлайфане на повърхности с нормална странична ръкохватка

Модел	Ниво на вибрации ($a_{H, AG}$): (m/s^2)	Коефициент на неопределеност (K): (m/s^2)
GA4050	6,5	1,5
GA4050R	6,5	1,5
GA4550	7,0	1,5
GA4550R	7,0	1,5
GA5050	7,5	1,5
GA5050R	7,5	1,5

Работен режим: шлайфане на повърхности с антивибрационна странична ръкохватка

Модел	Ниво на вибрации ($a_{H, AG}$): (m/s^2)	Коефициент на неопределеност (K): (m/s^2)
GA4050	5,5	1,5
GA4050R	5,5	1,5
GA4550	7,0	1,5
GA4550R	7,0	1,5
GA5050	8,5	1,5
GA5050R	8,5	1,5

Работен режим: шкуркане с диск с нормална странична ръкохватка

Модел	Ниво на вибрации ($a_{H, AG}$): (m/s^2)	Коефициент на неопределеност (K): (m/s^2)
GA4050	2,5 m/s^2 или по-малко	1,5
GA4050R	2,5 m/s^2 или по-малко	1,5
GA4550	2,5	1,5
GA4550R	2,5	1,5
GA5050	2,5 m/s^2 или по-малко	1,5
GA5050R	2,5 m/s^2 или по-малко	1,5

Работен режим: шкуркане с диск с антивибрационна странична ръкохватка

Модел	Ниво на вибрации ($a_{H, AG}$): (m/s^2)	Коефициент на неопределеност (K): (m/s^2)
GA4050	2,5 m/s^2 или по-малко	1,5
GA4050R	2,5 m/s^2 или по-малко	1,5
GA4550	2,5 m/s^2 или по-малко	1,5
GA4550R	2,5 m/s^2 или по-малко	1,5
GA5050	2,5 m/s^2 или по-малко	1,5
GA5050R	2,5 m/s^2 или по-малко	1,5

ЗАБЕЛЕЖКА: Обявената(ите) обща(и) стойност(и) на вибрациите e (sa) измерена(и) в съответствие със стандартни методи за изпитване и може да се използва(т) за сравняване на инструменти.

ЗАБЕЛЕЖКА: Обявената(ите) обща(и) стойност(и) на вибрациите може да се използва(т) също и за предварителна оценка на вредното въздействие.

▲ ПРЕДУПРЕЖДЕНИЕ: Нивото на вибрациите при работа с електрическия инструмент може да се различава от обявената(ите) стойност(и) в зависимост от начина на използване на инструмента, по-специално какъв детайл се обработва.

▲ ПРЕДУПРЕЖДЕНИЕ: Задължително определете предпазни мерки за защита на оператора въз основа на оценка на риска в реални работни условия (като се вземат предвид всички етапи на работния цикъл, като например момента на изключване на инструмента, работата на празен ход, както и времето на задействане).

▲ ПРЕДУПРЕЖДЕНИЕ: Обявеното ниво на вибрациите се използва за основните приложения на електрическия инструмент. Ако обаче инструментът се използва за други приложения, нивото на вибрациите може да е различно.

ЕО декларация за съответствие

Само за европейските страни

ЕО декларацията за съответствие е включена като Анекс А към тази инструкция за употреба.

ПРЕДУПРЕЖДЕНИЯ ЗА БЕЗОПАСНОСТ

Общи предупреждения за безопасност при работа с електрически инструменти

▲ ПРЕДУПРЕЖДЕНИЕ: Прочетете всички предупреждения, инструкции, илюстрации и спецификации за безопасността, предоставени с този електрически инструмент. При неспазване на изброените по-долу инструкции има опасност от токов удар, пожар и/или тежко нараняване.

Запазете всички предупреждения и инструкции за справка в бъдеще.

Терминът "електрически инструмент" в предупрежденията се отнася за вашия инструмент (с кабел за включване в мрежата) или работещ на батерии (безжичен) електрически инструмент.

Предупреждения за безопасност при работа с инструмент за шлифоване

Общи предупреждения за безопасност при шлайфане, шлифоване, почистване с телена четка и рязане с абразивен диск:

1. Този електрически инструмент е предназначен да работи като инструмент за шлайфане, шлифоване, почистване с телена четка или за рязане с абразивен диск. Прочетете всички предупреждения, инструкции, илюстрации и спецификации за безопасността, предоставени с този електрически инструмент. При неспазване на изброените по-долу инструкции има опасност от токов удар, пожар и/или тежко нараняване.
2. Не се препоръчва използване на този електрически инструмент за операции като полиране. Операции, за които електрическият инструмент не е предназначен, могат да бъдат опасни и да доведат до нараняване.
3. Не използвайте принадлежности, които не са специално предназначени и препоръчани от производителя на инструмента. Това, че дадена принадлежност може да бъде закрепена към инструмента, не осигурява безопасната му работа.
4. Номиналната скорост на принадлежностите трябва да е най-малко равна на максималната скорост, означена на инструмента. Принадлежности, които се въртят със скорост, по-висока от номиналната, могат да се счупят и да се разлетят на парчета.

5. Върхният диаметър и дебелината на вашите принадлежности трябва да отговарят на номиналния капацитет на вашия електрически инструмент. Неправилно оразмерените принадлежности не могат да бъдат добре защитени или контролирани.
6. Резбовите монтажни отвори на принадлежностите трябва да отговарят на резбата на шпиндела на шлайфмашината. За монтажните чрез фланци принадлежности монтажните отвори на принадлежностите трябва да отговарят на центриращия диаметър на фланеца. Тези принадлежности, които не отговарят на монтажните елементи на електрическия инструмент, ще работят дебалансирано и могат да причинят загуба на контрол.
7. Не използвайте повредени принадлежности. Преди всяко използване проверявайте принадлежностите, например абразивните шайби за отчупвания и пукнатини, опорните подложки за пукнатини, скъсване или прекомерно износване, а телените четки – за хлабави или начупени телове. В случай на изпускане на инструмента или на някоя принадлежност ги проверете за повреда или монтирайте принадлежността, която не е повредена. След като огледате и поставите принадлежността, застанете заедно с хората около вас извън равнината на въртящата се принадлежност и включете инструмента на максимални обороти без натоварване в продължение на една минута. Ако принадлежността е повредена, тя ще се счупи по време на това изпитание.
8. Използвайте лични предпазни средства. В зависимост от вида на приложението използвайте маска за лице или предпазни очила. При необходимост използвайте маска за прах, антифони, ръкавици и работна престилка, които да могат да ви предпазят от малки абразивни частици или парченца от обработвания детайл. Предпазните средства за очите трябва да могат да спрат летящи отпадъци, създадени при различни операции. Маската за прах или дихателният апарат трябва да могат да филтрират твърдите частици, образувани по време на работа. Продължителното излагане на силен шум може да причини загуба на слуха.
9. Страничните лица трябва да стоят на безопасно разстояние от работната зона. Всеки, който влиза в работната зона, трябва да използва лични предпазни средства. Парчетата от обработвания детайл или от счупена принадлежност могат да изхвърчат и да причинят наранявания извън непосредствената зона на работа.
10. Дръжте електрическия инструмент само за изолираните и нехлъзгави повърхности, когато има опасност инструментът да допре в скрити кабели или в собствения си захранващ кабел. Ако режещата принадлежност докосне проводник под напрежение, токът може да премине през металните части на електрическия инструмент и да причини „електрически удар“ на работещия.

11. **Дръжете захранващия кабел далеч от въртящата се принадлежност.** Ако изгубите контрол, кабелът може да бъде прерязан или скъсан, а ръката ви може да бъде повлечена от въртящата се принадлежност.
12. **Не оставяйте електрическия инструмент на земята, докато принадлежността не спре напълно да се върти.** Въртящата се принадлежност може да захване повърхността и да издърпа инструмента от ръцете ви.
13. **Не работете с електрическия инструмент, като го държите от страни до тялото си.** При случаен допир с въртящата се принадлежност дрехите ви може да се разкъсат и да придърпат принадлежността към вашето тяло.
14. **Редовно почиствайте вентилационните отвори на инструмента.** Вентилаторът на двигателя засмуква прах в корпуса на инструмента, а натрупването на метален прах може да доведе до опасност от електрическа повреда.
15. **Не използвайте електрическия инструмент в близост до леснозапалими материали.** Искрите могат да запалят тези материали.
16. **Не използвайте принадлежности, за които се изисква водно охлаждане.** Използването на вода или други охлаждащи течности може да доведе до токов удар и дори до смърт.

Обратен удар и съответни предупреждения

Обратният удар е внезапна реакция на прищипан или нащърбен въртящ се диск, опорна подложка, четка или друга принадлежност. Прищипването или нащърбяването причинява бързо спиране на въртящата се принадлежност, която от своя страна завърта неконтролируемо електрическия инструмент в посока, обратна на въртенето на принадлежността, в точката на захващане. Например, ако абразивната шайба е нащърбена или преципана от обработвания детайл, ръбът, който влиза в точката на прищипване, може да навлезе в повърхността на материала, от което шайбата да изскочи нагоре или да се получи обратен удар. Шайбата може да отскочи към оператора или встрани от него в зависимост от посоката на движението на шайбата в точката на прищипване. В такава ситуация абразивната шайба може и да се счупи. Обратният удар е следствие от неправилната употреба на електрическия инструмент и/или неспазване на реда и условията за работа и може да бъде избегнат при спазване на посочените по-долу предпазни мерки.

1. **Дръжете здраво инструмента и разположете тялото и ръката си така, че да можете да устоите на силите на обратния удар.** Ако има допълнителна ръкохватка, я използвайте задължително, за да овладеете максимално обратния удар или завъртането при пускане. Операторът може да овладее завъртането или силите на обратен удар, ако вземе подходящите предпазни мерки.
2. **Не поставяйте ръката си близо до въртящата се принадлежност.** Възможно е да възникне обратен удар на принадлежността към ръката ви.
3. **Не разполагайте тялото си в зоната, към която инструментът ще отскочи в случай на обратен удар.** Обратният удар изхвърля инструмента в посока, обратна на тази на въртенето на диска, в точката на нащърбяване.

4. **Работете с повишено внимание при обработване на ъгли, остри ръбове и др. подобни.** Не позволявайте на принадлежността да подскача или да се нащърбва. Ъглите, острите ръбове и подскачането са предпоставки за нащърбяване на въртящата се принадлежност и загуба на контрол или обратен удар.
5. **Не поставяйте нож за дървообработка за верижен трион или циркулярен диск със зъби.** Такива дискове често водят до обратен удар и загуба на контрол.

Специфични предупреждения за безопасност при шлифване и рязане с абразивен диск:

1. **Използвайте само дискове, препоръчани за вашия електрически инструмент и специалните предпазители за избрания вид диск.** Дискове, за които инструментът не е предназначен, не могат да бъдат добре защитени и не са безопасни.
2. **Шлайфащите повърхности на дисковете с вдлъбнати центрове трябва да се монтират под равнината на ръба на предпазителя.** Неправилно монтирания диск, който се показва през равнината на ръба на предпазителя, не може да бъде добре защитен.
3. **Предпазителят трябва да е здраво закрепен за електрическия инструмент и разположен така, че да осигурява максимална безопасност, тъй че колкото може по-малка част от диска да е открита към оператора.** Предпазителят пази оператора от парчета при счупване на диска, от случаен допир до диска и от искри, които биха могли да подпалят дрехите.
4. **Дисковете трябва да се използват само за тези приложения, за които са предназначени.** Например: не трябва да се шлифова с плоската страна на абразивен диск за рязане. Абразивните дискове за рязане са предназначени за периферно шлифване и прилагането на странични действащи сили може да доведе до счупването им на парчета.
5. **Използвайте само закрепващи фланци без повреди и с точните размери и форма за избрания диск.** Правилните закрепващи фланци на диска осигуряват опора на диска и така намаляват опасността от счупване на диска. Фланците за дисковете за рязане може да се различават от фланците за шайбите за шлифване.
6. **Не използвайте износени дискове за шлифване от по-големи електрически инструменти.** Дисковете, предназначени за по-големи инструменти, не са подходящи за високите обороти на малкия инструмент и могат да се пръснат на парчета.

Допълнителни предупреждения за безопасност при рязане с абразивен диск:

1. **Не „заклинвайте“ диска за рязане и не упражнявайте прекомерен натиск.** Не се опитвайте да режете прекалено дълбоко. Прекомерният натиск върху диска увеличава натоваарването и вероятността за усукване или задиране на диска в прореза, както и тази за обратен удар или счупване на диска.

2. Не разполагайте тялото си на една линия с въртящия се диск и зад него. Когато дискът, в точката на обработване, се отдалечава от тялото, евентуалният обратен удар може да изстреля въртящия се диск и инструмента право към вас.
3. Ако дискът задере или прекъснете рязането по друга причина, изключете инструмента и го задръжте неподвижен, докато дискът спре да се върти окончателно. Не се опитвайте да извадите диска за рязане от прореза, докато все още се върти, защото това може да доведе до обратен удар. Огледайте мястото и вземете необходимите мерки, за да отстраните причината за задирането на диска.
4. Не подновявайте рязането, докато дискът е в допир с обработвания детайл. Изчакайте дискът да достигне пълни обороти и тогава внимателно го вкарайте в прореза. Дискът може да задере, да излезе или да произведе обратен удар, ако инструментът бъде включен отново, докато е в допир с обработвания детайл.
5. Подпирайте панели и други обемисти детайли за обработване, за да сведете до минимум опасността от прищипване или обратен удар от диска. Големите обработвани детайли често се огъват под собствената си тежест. Подпорите се слагат под обработвания детайл, близо до линията на рязане и близо до ръба на детайла, от двете страни на диска.
6. Бъдете особено предпазливи, когато режете в стена или друга повърхност, през която не се вижда. Стърчащият диск може да среже газови или водопроводни тръби, електрически кабел или предмет, който да причини обратен удар.
3. Внимавайте да не повредите вала, фланеца (особено монтажната повърхност) или фиксиращата гайка. Повреждането на тези части може да доведе до счупване на диска.
4. Уверете се, че дискът не докосва детайла за обработване, преди да включите инструмента.
5. Преди да пристъпите към обработка на детайл, оставете инструмента да поработи известно време. Следете за вибрации или трептения, които може да сочат, че дискът не е добре поставен или е неправилно балансиран.
6. Използвайте указаната повърхност на диска, за да шлайфате.
7. Не оставяйте инструмента да работи без надзор. Инструментът трябва да работи само когато го държите с ръце.
8. Не докосвайте детайла непосредствено след обработка, защото може да е много горещ и да изгори кожата ви.
9. Не докосвайте аксесоарите непосредствено след обработка, защото може да са много горещи и да изгорят кожата ви.
10. Спазвайте инструкциите на производителя за правилен монтаж и използване на дисковете. Работете с дисковете и ги съхранявайте внимателно.
11. Не използвайте отделни редуциращи втулки или адаптери за пригаждане на абразивни шайби с големи отвори.
12. Използвайте само фланци, предназначени за този инструмент.

Специфични предупреждения за безопасност при шлифовъчни операции:

1. Не използвайте прекалено големи дискове за шлифване от шкурка. Следвайте съветите на производителя при избора на шкурка. Големите дискове за шлифване от шкурка, които излизат извън подложката за шлифване, представляват опасност от разкъсване и могат да причинят задиране, скъсване на диска или обратен удар.

Специфични предупреждения за безопасност при почистване с телена четка:

1. Имайте предвид, че телове падат от четката дори при нормална работа. Не натискайте прекалено силно теловете, като упражнявате голямо натоварване върху четката. Теловете лесно могат да проникнат през тънки дрехи и/или през кожата.
2. Ако при почистване с телена четка се препоръчва използването на предпазител, не позволявайте теленият диск или четката да докосват предпазителя. Диаметърът на теленият диск или четка може да се увеличи поради работното натоварване или от центробежните сили.

Допълнителни предупреждения за безопасност:

1. Ако използвате дисковете за шлифване с вдлъбнат център, използвайте само дискове, подсилени със стъклопласт.
2. НЕ използвайте чашковидни каменни дискове с този инструмент за шлифване. Инструментът за шлифване не е предназначен за такъв тип дискове и използването им може да доведе до тежко нараняване.

ЗАПАЗЕТЕ НАСТОЯЩИТЕ ИНСТРУКЦИИ.

▲ ПРЕДУПРЕЖДЕНИЕ: НЕ позволявайте комфорта от познаването на продукта (придобит при дългата му употреба) да замени стриктното спазване на правилата за безопасност за въпросния продукт. НЕПРАВИЛНАТА УПОТРЕБА и неспазването на правилата за безопасност, посочени в настоящото ръководство за експлоатация, могат да доведат до тежки наранявания.

ОПИСАНИЕ НА ФУНКЦИИТЕ

▲ ВНИМАНИЕ: Винаги проверявайте дали инструментът е изключен от бутона и от контакта, преди да регулирате или проверявате функция на инструмента.

Палец за блокиране на вала

Натиснете палеца за блокиране на вала, за да възпрепятствате въртенето му, когато поставяте или сваляте принадлежности.

► **Фиг.1:** 1. Палец за блокиране на вала

БЕЛЕЖКА: Никога не задействайте палеца за блокиране на вала, когато валът се върти. Инструментът може да се повреди.

Включване

▲ ВНИМАНИЕ: Преди да включите инструмента в контакта, винаги проверявайте дали пусковият прекъсвач работи нормално и се връща в положение "OFF" (ИЗКЛ.) при отпускането му.

▲ ВНИМАНИЕ: Не натискайте силно лоста на прекъсвача, без да е натиснат бутонът за деблокиране. Прекъсвачът може да се счупи.

За предотвратяване неволно натискане на лоста на прекъсвача е осигурен блокиращ лост. За стартиране на инструмента натиснете блокиращия лост към оператора и след това натиснете лоста на прекъсвача. Отпуснете лоста на прекъсвача за спиране.

► **Фиг.2:** 1. Блокиращ лост 2. Лост на прекъсвача

Защита против неволно повторно пускане

Само за модел GA4050R / GA4550R / GA5050R

Инструментът не се задейства при натискане на лоста на прекъсвача дори ако инструментът е включен в контакта. За да включите инструмента, най-напред освободете пусковия лост. След това натиснете блокиращия лост и натиснете пусковия лост.

ЗАБЕЛЕЖКА: Когато е задействана защитата неволно повторно пускане, изчакайте повече от една секунда, преди да пуснете отново инструмента.

Функция за плавно пускане

Само за модел GA4050R / GA4550R / GA5050R

Функцията за плавно пускане намалява тласъка при стартиране.

СГЛОБЯВАНЕ

▲ ВНИМАНИЕ: Преди да извършвате някакви работи по инструмента, винаги се уверявайте, че той е изключен от бутона и от контакта.

Монтиране на страничната ръкохватка (дръжка)

▲ ВНИМАНИЕ: Преди да започнете работа проверете дали страничната ръкохватка е закрепена здраво.

Завийте здраво страничната ръкохватка на показаното на фигурата място от инструмента.

► **Фиг.3**

Поставяне или сваляне на предпазителя на диска

▲ ПРЕДУПРЕЖДЕНИЕ: При използване на диск с вдлъбнат център, ламелен диск, гъвкав диск или кръгла телена четка, предпазителят на диска трябва да бъде поставен на инструмента, така че затворената страна на предпазителя винаги да е обръната към оператора.

▲ ПРЕДУПРЕЖДЕНИЕ: Уверете се, че предпазителят на диска е здраво закрепен от заключващия лост, фиксиран в един от отворите на предпазителя на диска.

▲ ПРЕДУПРЕЖДЕНИЕ: Когато използвате абразивен диск за рязане/диамантен диск, използвайте само предпазители, предназначени за ползване с дискове за рязане.

(В някои държави-членки на ЕС при използване на диамантен диск може да се ползва обикновеният предпазител. Спазвайте законовите разпоредби във вашата страна.)

За диск с вдлъбнат център, ламелен диск, гъвкав диск, кръгла телена четка/абразивен диск за рязане, диамантен диск

1. Докато избутвате заключващия лост, монтирайте предпазителя на диска с излъкналата страна на предпазителя, подравнена към жлебовете на лагерната кутия.

► **Фиг.4:** 1. Заключващ лост 2. Жлеб 3. Излъкналост

2. При притиснат към А заключващ лост натиснете и задръжте части В на предпазителя на диска, както е показано на фигурата.

► **Фиг.5:** 1. Предпазителят на диска 2. Отвор

ЗАБЕЛЕЖКА: Натиснете право надолу предпазителя на диска. В противен случай няма да можете да натиснете докрай предпазителя на диска.

3. При натиснат заключващ лост завъртете предпазителя на диска към С и след това променете ъгъла на предпазителя на диска в зависимост извършваната операция, за да бъде защитен операторът. Центрирайте заключващия лост с един от отворите в предпазителя на диска и след това го освободете, за да заключите предпазителя.

► **Фиг.6:** 1. Предпазителят на диска 2. Отвор

За да свалите предпазителя на диска, изпълнете процедурата за монтаж в обратен ред.

Поставяне или сваляне на диск с вдлъбнат център или ламелен диск

Допълнителни аксесоари

▲ПРЕДУПРЕЖДЕНИЕ: При използване на диск с вдлъбнат център или ламелен диск предпазителят за диска трябва да бъде поставен на инструмента, така че затворената страна на предпазителя винаги да е обърната към оператора.

▲ВНИМАНИЕ: Уверете се, че дали монтажната част на вътрешния фланец пасва идеално към вътрешния диаметър на диска с вдлъбнат център/ламелния диск. Монтирането на вътрешния фланец на неправилната страна може да доведе до опасни вибрации.

Сложете вътрешния фланец на вретеното. Уверете се, че сте нагласили назъбената част на вътрешния фланец на правата част от долната страна на вретеното.

Сложете диска с вдлъбнат център/ламелния диск на вътрешния фланец и завийте фиксиращата гайка на шпиндела.

► **Фиг.7:** 1. Фиксираща гайка 2. Диск с вдлъбнат център 3. Вътрешен фланец 4. Монтажна част

За да затегнете фиксиращата гайка, натиснете палеца за блокиране на вала здраво, така че валът да не може да се върти и след това затегнете добре по посока на часовниковата стрелка с помощта на ключа за фиксиращата гайка.

► **Фиг.8:** 1. Ключ за фиксираща гайка 2. Палец за блокиране на вала

За да свалите гъвкавия диск, изпълнете процедурата за монтаж в обратен ред.

Поставяне и сваляне на гъвкавия диск

Допълнителни аксесоари

▲ПРЕДУПРЕЖДЕНИЕ: Винаги използвайте доставения предпазителя, когато върху инструмента е поставен гъвкав диск. По време на работа дискът може да се разбие на парчета, а предпазителят намалява вероятността за нараняване.

► **Фиг.9:** 1. Фиксираща гайка 2. Гъвкав диск 3. Опорна подложка 4. Вътрешен фланец

Следвайте указанията за диск с вдлъбнат център, но също използвайте опорна подложка над диска. Вижте последователността за сглобяване на страницата за принадлежности в настоящото ръководство.

Монтаж или демонтаж на абразивния диск

Допълнителни аксесоари

За модел 100 мм (4")

► **Фиг.10:** 1. Фиксираща гайка за абразивни дискове 2. Абразивен диск 3. Гумена подложка 4. Вътрешен фланец

1. Сложете вътрешния фланец на вретеното.
2. Монтирайте гумената подложка на шпиндела.
3. Сложете диска над гумената подложка и завийте шмиргеловата фиксираща гайка на вретеното.
4. Задръжте шпиндела с палеца за блокиране на вала и затегнете здраво шмиргеловата фиксиращата гайка с гаечен ключ по часовниковата стрелка.

За модел 115 мм (4 – 1/2")/125 мм (5")

► **Фиг.11:** 1. Фиксираща гайка за абразивни дискове 2. Абразивен диск 3. Гумена подложка

1. Монтирайте гумената подложка на шпиндела.
2. Сложете диска над гумената подложка и завийте шмиргеловата фиксираща гайка на вретеното.
3. Задръжте шпиндела с палеца за блокиране на вала и затегнете здраво шмиргеловата фиксиращата гайка с гаечен ключ по часовниковата стрелка.

За да свалите диска, изпълнете процедурата за монтаж в обратен ред.

ЗАБЕЛЕЖКА: Използвайте посочените в настоящото ръководство принадлежности за шлифване. Те се закупуват отделно.

Експлоатация

▲ ПРЕДУПРЕЖДЕНИЕ: Никога не трябва да се налага да насилвате инструмента. Самото тегло на инструмента прилага достатъчен натиск. Насилването и прекомерният натиск могат да доведат до опасно счупване на диска.

▲ ПРЕДУПРЕЖДЕНИЕ: ЗАДЪЛЖИТЕЛНО сменете диска, ако изпуснете инструмента по време на шлифование.

▲ ПРЕДУПРЕЖДЕНИЕ: НИКОГА не удряйте с диска за шлифование по обработвания детайл.

▲ ПРЕДУПРЕЖДЕНИЕ: Не позволявайте на диска да подскача или да се нащърбва, особено когато обработвате ъгли, остри ръбове и др. Това може да доведе до загуба на контрол и обратен удар.

▲ ПРЕДУПРЕЖДЕНИЕ: НИКОГА не използвайте инструмента с дискове за рязане на дърво и други циркулярни дискове. Когато се използват с ъглошлайф, тези дискове често отскачат и водят до загуба на контрол и нараняване.

▲ ПРЕДУПРЕЖДЕНИЕ: Продължителното използване на износен диск може да доведе до внезапно разрушаване на диска и сериозно нараняване.

▲ ВНИМАНИЕ: Не включвайте инструмента, когато е в контакт с детайла, защото има опасност от нараняване на оператора.

▲ ВНИМАНИЕ: По време на работа задължително носете предпазни очила или маска за лицето.

▲ ВНИМАНИЕ: След приключване на работа изключете инструмента и изчакайте дискът да спре окончателно, преди да го оставите на земята.

▲ ВНИМАНИЕ: ВИНАГИ дръжте инструмента здраво с едната ръка за корпуса, а с другата – за страничната ръкохватка (дръжка).

Работа с диск

► Фиг.12

Включете инструмента и след това допрете диска до детайла за обработване.

Общо взето дръжте ръба на диска под ъгъл от около 15° спрямо повърхността на обработваемия детайл. През периода на разработване на нов диск не работете с ъглошлайфа в посока напред, иначе ще се вреже в обработваемия детайл. Когато ръбът на диска е окръглен от използване, с диска може да се работи както в посока напред, така и в посока назад.

Работа с абразивен диск за рязане/диамантен диск

Допълнителни аксесоари

▲ ПРЕДУПРЕЖДЕНИЕ: Когато използвате абразивен диск за рязане/диамантен диск, използвайте само предпазители, предназначени за ползване с дискове за рязане.

(В някои държави-членки на ЕС при използване на диамантен диск може да се ползва обикновеният предпазител. Спазвайте законовите разпоредби във вашата страна.)

▲ ПРЕДУПРЕЖДЕНИЕ: НИКОГА не използвайте диск за рязане за странично шлайфане.

▲ ПРЕДУПРЕЖДЕНИЕ: Не „заклинвайте“ диска и не упражнявайте прекален натиск. Не се опитвайте да режете прекалено дълбоко. Прекомерният натиск върху диска увеличава натоварването и вероятността дискът да се усуче или да задере в разреза, както и вероятността от обратен удар, счупване на диска и прегряване на двигателя.

▲ ПРЕДУПРЕЖДЕНИЕ: Не започвайте да режете с диск, опрян на детайла за обработване. Изчакайте диска да достигне пълни обороти и внимателно го вкарайте в среза, като движите инструмента напред по повърхността на детайла за обработване. Дискът може да задере, да излезе или да произведе обратен удар, ако инструментът бъде включен, докато е в допир с обработвания детайл.

▲ ПРЕДУПРЕЖДЕНИЕ: Не променяйте ъгъла на диска по време на рязане. Упражняването на страничен натиск върху диска за рязане (като при шлайфане) ще доведе до спукване и счупване на диска и тежко нараняване.

▲ ПРЕДУПРЕЖДЕНИЕ: Диамантените дискове трябва да се държат перпендикулярно на материала, който се реже.

► Фиг.13: 1. Фиксираща гайка 2. Абразивен диск за рязане/диамантен диск 3. Вътрешен фланец 4. Предпазител за абразивен диск за рязане/диамантен диск

За монтажа следвайте указанията за диск с вдлъбнат център.

Посоката за монтиране на фиксиращата гайка и вътрешния фланец зависи от дебелината на диска. Вижте следващите фигури.

За модел 100 мм (4")

Когато монтирате абразивни дискове за рязане:

► Фиг.14: 1. Фиксираща гайка 2. Абразивен диск за рязане (по-тънък от 4 мм (5/32")) 3. Абразивен диск за рязане (4 мм (5/32")) или по-дебел 4. Вътрешен фланец

Когато монтирате диамантен диск:

► Фиг.15: 1. Фиксираща гайка 2. Диамантен диск (по-тънък от 4 мм (5/32")) 3. Диамантен диск (4 мм (5/32")) или по-дебел 4. Вътрешен фланец

За модел 115 мм (4 – 1/2")/125 мм (5")

Когато монтирате абразивни дискове за рязане:

- **Фиг.16:** 1. Фиксираща гайка 2. Абразивен диск за рязане (по-тънък от 4 мм (5/32"))
3. Абразивен диск за рязане (4 мм (5/32")) или по-дебел 4. Вътрешен фланец

Когато монтирате диамантен диск:

- **Фиг.17:** 1. Фиксираща гайка 2. Диамантен диск (по-тънък от 4 мм (5/32")) 3. Диамантен диск (4 мм (5/32")) или по-дебел 4. Вътрешен фланец

Работа с телена четка

Допълнителни аксесоари

⚠ВНИМАНИЕ: Проверете работата на четката чрез включване на инструмента без товар, след като сте се уверили, че няма никого пред или до четката.

⚠ВНИМАНИЕ: Не използвайте четка, която е повредена или дебалансирана. При използване на повредена четка се увеличава опасността от нараняване от откъснати телчета.

- **Фиг.18:** 1. Телена четка

Изключете инструмента от контакта и го оставете обърнат на земята, за да достигате лесно вретеното. Махнете принадлежностите от вала. Завийте чашковидната телена четка върху вала и я затегнете с предоставения ключ.

БЕЛЕЖКА: Не прекалявайте с натиска, понеже това предизвиква прекомерно огъване на телете при работа с четката. Това може да доведе до преждевременното им отчупване.

Работа с кръгла телена четка

Допълнителни аксесоари

⚠ВНИМАНИЕ: Проверете дали кръглата телена четка работи, като включите инструмента без товар, след като сте се уверили, че няма никого пред или до четката.

⚠ВНИМАНИЕ: Не използвайте кръгла телена четка, която е повредена или едностранно износена. При използване на повредена кръгла телена четка се увеличава опасността от нараняване от откъснати телчета.

⚠ВНИМАНИЕ: **ВИНАГИ** използвайте предпазител при работа с кръгла телена четка, като диаметърът на диска на четката трябва да се покрива от предпазителя. По време на работа дискът може да се разбие на парчета, а предпазителят намалява вероятността за нараняване.

- **Фиг.19:** 1. Кръгла телена четка

Изключете инструмента от контакта и го оставете обърнат на земята, за да достигате лесно вретеното. Махнете принадлежностите от вала. Завийте кръглата телена четка върху вала и затегнете с ключовете.

БЕЛЕЖКА: Не прекалявайте с натиска, понеже това предизвиква прекомерно огъване на телете при работа с кръглата телена четка. Това може да доведе до преждевременното им отчупване.

Закрепване на ремък (колан)

⚠Предупреждения за безопасност, специфични за работа на височина

Прочетете всички предупреждения за безопасност и инструкции. Неспазването на предупрежденията и инструкциите може да доведе до тежко нараняване.

1. Инструментът трябва винаги да е вързан с колана, когато се работи „на височина“. Максималната дължина на ремъка е 2 м. Максималната допустима височина на падане за ремък (колан) не трябва да превишава 2 м.
2. Използвайте само с ремъци, подходящи за този тип инструмент, и изчислени за поне 4,0 кг.
3. Не прикрепвайте ремъка на инструмента към нищо по тялото си или към движещи се компоненти. Прикрепете ремъка на инструмента към здрава конструкция, която може да издържи силата на падащ инструмент.
4. Преди употреба се уверете, че ремъкът е закрепен правилно във всеки край.
5. Преди всяка употреба проверявайте инструмент и ремъка (включително тъканта и шевовете) за повреди и правилно функциониране. Не използвайте при повреда или при неправилно функциониране. Инструментът трябва да бъде ремонтиран, особено ако около отвора за ремък се появи пукнатина или червена линия.
6. Не увийте ремъците около остри или грапави ръбове и не допускате да влизат в контакт с тях.
7. Закрепете другия край на ремъка извън работната зона така, че при евентуално падане инструментът да се задържи здраво.
8. Прикрепете ремъка така, че ако инструментът падне, да се отдалечи от оператора. Изпадналият инструмент ще се люлее на ремъка, което може да причини наранявания или загуба на равновесие.
9. Не използвайте в близост до движещи се части или работещи машини. В противен случай може да възникне опасност от смачкване или заплитане.
10. Не носете инструмента, като го държите за приставката или ремъка.
11. Прехвърляйте инструмента от едната си ръка в другата само когато сте правилно балансирани.
12. Не прикрепвайте ремъците към инструмента по начин, който възпрепятства надеждната работа на предпазители, превключватели/прекъсвачи или блокировки.
13. Избягвайте заплитане в ремъка.
14. Дръжте ремъка далеч от зоната на рязане на инструмента.
15. Използвайте заключващ карабинер (с многостъпково отваряне и винтов). Не използвайте самозатварящи се с пружинна скоба карабинери.
16. В случай че инструментът падне, той трябва да бъде обозначен и изведен от експлоатация, и трябва да бъде проверен от фабрика на Makita или от упълномощен сервизен център.
17. Прикрепвайте ремъка само със заключващ карабинер. Не прикрепвайте ремъка чрез клупове или като връзвате ремъка на възел. Не използвайте въжета или кабели.

- **Фиг.20:** 1. Отвор за ремък (колан)

ПОДДРЪЖКА

⚠ ВНИМАНИЕ: Винаги проверявайте дали инструментът е изключен от прекъсвача и от контакта преди извършване на проверка или поддръжка на инструмента.

БЕЛЕЖКА: Не използвайте бензин, нафта, разреждател, спирт и др. подобни. Това може да причини обезцветяване, деформация или пукнатини.

За да се поддържа БЕЗОПАСНОСТТА и НАДЕЖНОСТТА на продукта, ремонтите, поддръжката или регулирането трябва да се извършват от упълномощен сервиз или фабрични сервизни центрове на Makita, като винаги трябва да използвате резервни части от Makita.

Почистване на вентилационните отвори

Инструментът и неговите вентилационни отвори трябва да се поддържат чисти. Почиствайте вентилационните отвори на инструмента редовно или когато започнат да се запушват.

- **Фиг.21:**
1. Изходящ вентилационен отвор
 2. Входящ вентилационен отвор

ДОПЪЛНИТЕЛНИ АКСЕСОАРИ

⚠ ВНИМАНИЕ: Препоръчва се използването на тези аксесоари или накрайници с вашия инструмент Makita, описан в настоящото ръководство. Използването на други аксесоари или накрайници може да доведе до опасност от телесни повреди. Използвайте съответния аксесоар или накрайник само по предназначение.

Ако имате нужда от помощ за повече подробности относно тези аксесоари, се обърнете към местния сервизен център на Makita.

► **Фиг.22**

-	Модел 100 мм (4")	Модел 115 мм (4-1/2")	Модел 125 мм (5")
1	Странична ръкохватка		
2	Предпазител за диска (за диск за шлифование)		
3	Вътрешен фланец	Вътрешен фланец/Супер фланец	
4	Диск с вдлъбнат център/Ламелен диск		
5	Фиксираща гайка		
6	Опорна подложка		
7	Гъвкав диск		
8	Гумена подложка 76	Гумена подложка 100	Гумена подложка 115
9	Абразивен диск		
10	Фиксираща гайка за абразивни дискове		
11	Кръгла телена четка		
12	Телена четка		
13	Предпазител за диска (за диск за рязане) *1		
14	Абразивен диск за рязане/диамантен диск		
-	Ключ за фиксираща гайка		
-	Предпазител за прах		

ЗАБЕЛЕЖКА: *1 Когато в Европейските страни се използва диамантен диск, вместо специалния предпазител покриващ и двете страни на диска може да се използва обикновения предпазител. Спазвайте законите разпоредби във вашата страна.

ЗАБЕЛЕЖКА: Някои артикули от списъка може да са включени в комплекта на инструмента, като стандартни аксесоари. Те може да са различни в различните държави.

SPECIFIKACIJE

Model:	GA4050	GA4050R	GA4550	GA4550R	GA5050	GA5050R
Promjer ploče	100 mm (4")		115 mm (4-1/2")		125 mm (5")	
Maks. debljina ploče	6,4 mm (1/4")		7,2 mm (9/32")			
Navoj vretena	M10		M14 ili 5/8"			
Nazivna brzina (n)	11.000 min ⁻¹					
Ukupna dužina	325 mm					
Neto težina	2,3 – 2,6 kg		2,4 – 2,8 kg		2,5 – 2,8 kg	
Sigurnosna klasa	□/II					

- Zahvaljujući našem stalnom programu razvoja i istraživanja, navedene specifikacije podložne su promjenama bez obavijesti.
- Specifikacije mogu biti različite ovisno o zemlji.
- Težina se može razlikovati ovisno o dodacima. Najlakša i najteža kombinacija, sukladno s postupkom EPTA 01/2014, prikazane su u nastavku.

Namjena

Alat je namijenjen za brušenje, fino brušenje i rezanje u metalu i kamenu bez korištenja vode.

Električno napajanje

Alat se smije priključiti samo na električno napajanje s naponom istim kao na nazivnoj pločici i smije raditi samo s jednofaznim izmjeničnim napajanjem. Dvostruko su izolirani pa se mogu rabiti i iz utičnica bez uzemnog užeta.

Buka

Tipična jačina buke označena s A, određena sukladno EN60745-2-3:

Model	Razina tlaka zvuka (L _{PA}): (dB(A))	Razina tlaka zvuka (L _{WA}): (dB(A))	Neodređenost (K): (dB(A))
GA4050	91	102	3
GA4050R	91	102	3
GA4550	91	102	3
GA4550R	91	102	3
GA5050	91	102	3
GA5050R	91	102	3

NAPOMENA: Deklarirana vrijednost emisije buke izmjerena je prema standardnoj metodi testiranja i može se rabiti za usporedbu jednog alata s drugim.

NAPOMENA: Deklarirana vrijednost emisije buke također se može rabiti za preliminarnu procjenu izloženosti.

⚠ UPOZORENJE: Nosite zaštitu za uši.

⚠ UPOZORENJE: Emisija buke tijekom stvarnog korištenja električnog ručnog alata se može razlikovati od deklariranih vrijednosti emisije, ovisno o načinu na koji se alat rabi, posebice ovisno o tome kakav se izradak izrađuje.

⚠ UPOZORENJE: Nemojte zaboraviti da identificirate sigurnosne mjere zaštite rukovatelja koje se temelje na procjeni izloženosti u stvarnim uvjetima korištenja (uzimajući u obzir sve dijelove radnog ciklusa, poput vremena kada je alat isključen i kada on radi u praznom hodu, a također i vrijeme okidanja).

Vibracija

Ukupna vrijednost vibracija (troosni vektorski zbir) izračunata u skladu s EN60745-2-3:

Način rada: brušenje površine s normalnom bočnom ručkom

Model	Emisija vibracija ($a_{h,AG}$): (m/s^2)	Neodređenost (K): (m/s^2)
GA4050	6,5	1,5
GA4050R	6,5	1,5
GA4550	7,0	1,5
GA4550R	7,0	1,5
GA5050	7,5	1,5
GA5050R	7,5	1,5

Način rada: brušenje površine s antivibracijskom bočnom ručkom

Model	Emisija vibracija ($a_{h,AG}$): (m/s^2)	Neodređenost (K): (m/s^2)
GA4050	5,5	1,5
GA4050R	5,5	1,5
GA4550	7,0	1,5
GA4550R	7,0	1,5
GA5050	8,5	1,5
GA5050R	8,5	1,5

Način rada: disk za fino brušenje s normalnom bočnom ručkom

Model	Emisija vibracija ($a_{h,AG}$): (m/s^2)	Neodređenost (K): (m/s^2)
GA4050	2,5 m/s^2 ili manje	1,5
GA4050R	2,5 m/s^2 ili manje	1,5
GA4550	2,5	1,5
GA4550R	2,5	1,5
GA5050	2,5 m/s^2 ili manje	1,5
GA5050R	2,5 m/s^2 ili manje	1,5

Način rada: disk za fino brušenje s antivibracijskom bočnom ručkom

Model	Emisija vibracija ($a_{h,AG}$): (m/s^2)	Neodređenost (K): (m/s^2)
GA4050	2,5 m/s^2 ili manje	1,5
GA4050R	2,5 m/s^2 ili manje	1,5
GA4550	2,5 m/s^2 ili manje	1,5
GA4550R	2,5 m/s^2 ili manje	1,5
GA5050	2,5 m/s^2 ili manje	1,5
GA5050R	2,5 m/s^2 ili manje	1,5

NAPOMENA: Deklarirana vrijednost ukupnih vibracija izmjerena je prema standardnoj metodi testiranja i može se rabiti za usporedbu jednog alata s drugim.

NAPOMENA: Deklarirana vrijednost ukupnih vibracija također se može rabiti za preliminarnu procjenu izloženosti.

⚠ UPOZORENJE: Emisija vibracija tijekom stvarnog korištenja električnog ručnog alata se može razlikovati od deklariranih vrijednosti emisije, ovisno o načinu na koji se alat rabi, posebice ovisno o tome kakav se izradak izrađuje.

⚠ UPOZORENJE: Nemojte zaboraviti da identificirate sigurnosne mjere zaštite rukovatelja koje se temelje na procjeni izloženosti u stvarnim uvjetima korištenja (uzimajući u obzir sve dijelove radnog ciklusa, poput vremena kada je alat isključen i kada on radi u praznom hodu, a također i vrijeme okidanja).

⚠ UPOZORENJE: Deklarirana vrijednost emisije vibracija se rabi kod glavnih primjena električnog ručnog alata. Međutim, ako se električni ručni alat koristi za druge primjene, vrijednost emisije vibracija se može razlikovati.

Izjava o sukladnosti EZ

Samo za države članice Europske unije

Izjava o sukladnosti EZ u prilogu je Priloga A ovih uputa za upotrebu.

SIGURNOSNA UPOZORENJA

Opća sigurnosna upozorenja za električne ručne alate

⚠ UPOZORENJE: Pročitajte sva sigurnosna upozorenja, upute, ilustracije i specifikacije priložene uz ovaj električni ručni alat. Nepridržavanje svih uputa navedenih u nastavku može rezultirati strujnim udarom, požarom i/ili ozbiljnim ozljedama.

Sačuvajte sva upozorenja i upute radi kasnijeg korištenja.

Pojam „električni alat“ u upozorenjima odnosi se na električni (kabelski) alat uključen u struju ili na bežične električne alate (na baterije).

Sigurnosna upozorenja za brusilicu

Sigurnosna upozorenja zajednička za brušenje, fino brušenje, četkanje žičanom četkom ili operacije abrazivnog rezanja:

1. **Ovaj električni ručni alat namijenjen je za uporabu kao brusilica, fina brusilica, žičana četka ili rezni alat.** Pročitajte sva sigurnosna upozorenja, upute, ilustracije i specifikacije priložene uz ovaj električni ručni alat. Nepridržavanje svih uputa navedenih u nastavku može rezultirati strujnim udarom, požarom i/ili ozbiljnim ozljedama.
2. **Ne preporučujemo izvođenje postupaka poput poliranja s ovim električnim ručnim alatom.** Radnje za koje električni alat nije namijenjen mogu stvoriti opasnost i prouzročiti ozljede.
3. **Nemojte rabiti dodatke koji nisu izričito nje dizajnirao i preporučio proizvođač.** Samo zato što se dodatak može montirati na vaš električni ručni alat ne znači da je zajamčen siguran rad.
4. **Nazivna brzina dodatka mora biti najmanje jednaka maksimalnoj brzini navednoj na električnom ručnom alatu.** Dodaci koji rade brže od nazivne brzine mogu se slomiti i dijelovi se mogu razletjeti naokolo.
5. **Vanjski promjer i debljina dodatka mora odgovarati nazivnom kapacitetu električnog alata.** Neispravni dodaci ne mogu se primjereno zaštititi ni kontrolirati.
6. **Dodaci koji se montiraju na navoj moraju se podudarati s navojem vretena na brusilici.** Ako montirate dodatke na prirubnice, otvor za trn na dodatku mora odgovarati vodećem promjeru prirubnice. Dodaci koji ne odgovaraju priboru za montažu električnog ručnog alata bit će izbačeni iz ravnoteže, previše će vibrirati i mogu uzrokovati gubitak kontrole.

7. **Ne rabite oštećene dodatke.** Prije svake uporabe provjerite dodatke, primjerice ima li na abrazivnim pločama krotina i pukotina, ima li na podlošku pukotina, kidanja ili prekomjerne istrošenosti, je li žičana četka te ima olabavljene ili prekinute žice. Ako vam električni ručni alat ili dodatak ispadne, provjerite ima li oštećenja ili postavite neoštećeni dodatak. Nakon provjere i postavljanja dodatka odmaknite se i udaljite promatrače od ravnine rotirajućeg pribora i pustite električni ručni alat da jednu minutu radi bez opterećenja pri maksimalnoj brzini. Oštećeni dodaci obično se slome tijekom ovog testa.
8. **Nosite osobnu zaštitnu opremu.** Ovisno o primjeni koristite štitnik za lice, zaštitu za oči ili zaštitne naočale. Ako je potrebno, nosite masku za prašinu, zaštitu za uši, rukavice i radioničku pregaču koja može zaustaviti male abrazivne djeljice ili djeljice izratka. Zaštita za oči mora zaustaviti leteće krotine koje su moguće pri izvođenju brojnih zadataka. Zaštita za oči mora zaustaviti leteće krotine nastale uslijed raznih radnji. Dulja izloženost jakoj buci može prouzročiti gubitak sluha.
9. **Držite druge osobe na sigurnoj udaljenosti od radnog područja.** Svako tko uđe u radno područje mora nositi osobnu zaštitnu opremu. Djeljice izratka ili polomljenog dodatka mogu odletjeti i prouzročiti ozljede izvan neposrednog radnog područja.
10. **Držite električni ručni alat samo za izolirane rukohvatne površine kada izvodite rednje tijekom kojih rezni dodatak može doći u doticaj sa skrivenim žicama ili vlastitim kabelom.** Rezni dodatak koji dođe u doticaj s vodičem pod naponom može dovesti pod napon izložene metalne dijelove električnog alata i rukovatelj može pretrpjeti strujni udar.
11. **Kabel postavite daleko od rotirajućeg dodatka.** Ako izgubite kontrolu, kabel se može prekinuti ili zakačiti, a vašu šaku ili ruku može zahvatiti rotirajući dodatak.
12. **Nikada ne spuštajte električni ručni alat sve dok se dodatak potpuno ne zaustavi.** Rotirajući dodatak može zahvatiti površinu i električni ručni alat se može oteći vašoj kontroli.
13. **Nemojte uključivati električni ručni alat dok ga nosite pored sebe.** Slučajni dodir s rotirajućim dodatkom može zahvatiti vašu odjeću, povlačeći dodatak prema vašem tijelu.
14. **Redovito čistite ventilacijske otvore električnog ručnog alata.** Ventilator motora će uvući prašinu u kućište, a prekomjerno nakupljanje metalne prašine predstavlja opasnost od strujnog udara.
15. **Ne radite s električnim ručnim alatom u blizini zapaljivih materijala.** Iskre mogu zapaliti te materijale.
16. **Ne rabite dodatke koji zahtijevaju rashladne tekućine.** Korištenje vode ili drugih rashladnih tekućina može rezultirati smrću ili šokom uslijed strujnog udara.

Povratni udar i povezana upozorenja

Povratni udar je trenutna reakcija na priklještenu ili zaglavljenu rotirajuću ploču, podlošku, četku ili bilo koji drugi dodatak. Priklještenje ili zaglavljivanje uzrokuje brzo zaustavljanje rotirajućeg dodatka, što opet dovodi do prinudnog okretanja električnog ručnog alata u smjeru suprotnom od smjera okretanja dodatka u točki spajanja.

Ako je, primjerice, izradak zaglavio ili priklještio abrazivnu ploču, rub ploče koji ulazi u točku priklještenja može se ukopati u površinu materijala, što će dovesti do iskakanja ili izbacivanja ploče. Ploča može skočiti prema rukovatelju ili odskočiti od njega, ovisno o smjeru kretanja ploče u točki priklještenja. Abrazivne bi se ploče pod tim okolnostima mogle i slomiti. Povratni udar rezultat je pogrešne uporabe električnog ručnog alata i/ili nepravilnih radnih postupaka ili uvjeta i može se spriječiti poduzimanjem prikladnih mjera opreza kao što je navedeno u nastavku.

1. **Čvrsto držite električni ručni alat, a svoje tijelo ili ruku namjestite tako da možete izdržati sile povratnog udara.** Uvijek koristite pomoćnu ruku, ako postoji, radi maksimalne kontrole povratnog udara ili reakcije uslijed torzionog momenta tijekom pokretanja. Rukovatelj može kontrolirati reakcije uslijed torzionog momenta ili sile povratnog udara ako poduzme prikladne mjere opreza.
2. **Nikada ne stavljajte ruku blizu rotirajućeg dodatka.** Može doći do odbačaja dodatka unatrag preko vaše ruke.
3. **Tijelo držite podalje od područja gdje bi se električni ručni alat mogao pomaknuti ako dođe do povratnog udara.** Povratni udar gurnut će alat u smjeru suprotnom od kretanja ploče u točki zaglavljivanja.
4. **Budite posebno oprezni kada obrađujete kutove, oštre rubove, itd. Spriječite odskakanje i zaglavljivanje dodatka.** Kutovi, oštri rubovi ili odskakanje mogu zaglaviti rotirajući dodatak i prouzročiti gubitak kontrole ili povratni udar.
5. **Nemojte montirati list za rezarenje drveta za lančane pile niti nazubljeni list pile.** Takvi listovi dovode do čestih povratnih udara i gubitka kontrole.

Sigurnosna upozorenja specifična za brušenje i abrazivno rezanje:

1. **Rabite samo one vrste ploča koje su preporučene za vaš električni ručni alat i poseban štitnik za odabranu ploču.** Ploče koje nisu predviđene za upotrebu s alatom ne mogu se zaštititi na odgovarajući način i nisu sigurne.
2. **Brusna površina koljenastih ploča mora se montirati ispod ravnine ruba štitnika.** Neispravno montirana ploča koja strši kroz ravninu ruba štitnika ne može se primjereno zaštititi.
3. **Štitnik se mora čvrsto montirati na električni ručni alat i namjestiti tako da bude maksimalno siguran, tako da najmanji dio ploče bude izložen prema rukovatelju.** Štitnik pomaže rukovatelju da se zaštiti od odlomljenih djelića ploče, slučajnog dodirivanja ploče i iskri koje bi mogle zapaliti odjeću.
4. **Ploče se smiju koristiti samo za preporučene primjene. Primjerice: nemojte brusiti bočnom stranom rezne ploče.** Abrazivne rezne ploče namijenjene su perifernom brušenju, a bočne sile koje djeluju na ove ploče mogu uzrokovati njihov lom.
5. **Uvijek rabite neoštećene prirubnice ploča ispravnog promjera za odabranu ploču.** Ispravne prirubnice ploča podupiru ploče, smanjujući mogućnost njihovog pucanja. Prirubnice za rezne ploče mogu se razlikovati od prirubnica brusnih ploča.

6. **Ne upotrebljavajte istrošene ploče s većih električnih ručnih alata.** Ploče namijenjene većim električnim ručnim alatima nisu prikladne za veću brzinu manjeg alata i mogu puknuti.

Dodatna sigurnosna upozorenja specifična za abrazivno rezanje:

1. **Nemojte „zaglavljivati” rezu ploču niti primjenjivati prekomjerni pritisak. Nemojte pokušavati napraviti preduboki rez.** Prekomjerno naprezanje ploče povećava opterećenje i osjetljivost na uvijanje ili zaglavljivanje ploče u rezu, kao i mogućnost povratnog udara ili pucanja ploče.
2. **Tijelo nemojte držati u ravnini niti iza rotirajuće ploče.** Ako se ploča u trenutku rada udaljava od vašeg tijela, mogući povratni udar može gurnuti rotirajuću ploču naprijed i gurnuti električni ručni alat direktno na vas.
3. **Kada se ploča zaglavi ili se rezanje iz nekog razloga prekine, isključite električni ručni alat i držite ga u nepokretnom stanju sve dok se ploča u potpunosti ne zaustavi. Nikada nemojte pokušavati vaditi ploču iz reza dok se rezna ploča okreće jer može doći do povratnog udara.** Ispitajte i poduzmite korektivnu mjeru kako biste otklonili uzrok zaglavljivanja ploče.
4. **Nemojte ponovno pokretati postupak rezanja na izratku. Pustite ploču da dostigne punu brzinu i oprezno ponovno krenite rezati.** Ako se električni ručni alat ponovno pokrene u izratku, ploča se može zaglaviti, podići ili napraviti povratni udar.
5. **Poduprite ploče i svaki veći izradak kako biste minimizirali rizik od priklještenja i povratnog udara.** Veliki izratci često popuštaju pod vlastitom težinom. Ispod izratka, blizu linije reza i blizu ruba izratka na obje strane ploče moraju se postaviti potpore.
6. **Budite posebno oprezni kada režete „džepove” u postojećim zidovima ili drugim slijepim površinama.** Prodiruća ploča može prerezati cijevi za plin i vodu, električne žice ili predmete koji mogu prouzročiti povratni udar.

Sigurnosna upozorenja specifična za fino brušenje:

1. **Nemojte koristiti preveliki brusni papir za disk. Pri odabiru brusnog papira slijedite preporuke proizvođača.** Veći brusni papir koji strši izvan podloška za brušenje predstavlja opasnost od cijepanja i može prouzročiti zaglavljivanje, kidanje diska ili povratni udar.

Sigurnosna upozorenja specifična za radnje koje se obavljaju žičanom četkom:

1. **Imajte na umu da s četke ispadaju čekinje čak i tijekom običnog rada. Nemojte previše naprezati žice prekomjernim opterećivanjem četke.** Žičane čekinje mogu lako probiti tanku odjeću i/ili kožu.
2. **Ako se za rad pomoću žičane četke preporučuje štitnik, pazite da štitnik ne ometa ploču ili četku.** Promjer žičane ploče ili četke može se povećati uslijed radnog opterećenja i centrifugalnih sila.

Dodatna sigurnosna upozorenja:

1. **Ako koristite koljenaste brusne ploče, obvezno koristite samo ploče od ojačanih staklenih vlakana.**

2. **NE KORISTITE** ploče tipa kamene šalice s ovom brusilicom. Ova brusilica nije namijenjena za te tipove ploča i korištenje takvog proizvoda može rezultirati ozbiljnim ozljedama.
3. Pazite da ne oštetite vreteno, prirubnicu (posebno instalacijsku površinu) ili sigurnosnu maticu. Oštećenje tih dijelova može uzrokovati pucanje ploče.
4. Prije uključivanja sklopke provjerite dodiruje li ploča izradak.
5. Prije nego što upotrijebite alat na stvarnom izratku, pustite ga da radi neko vrijeme. Obratite pažnju na vibraciju ili ljuljanje koje bi moglo ukazivati na lošu instalaciju ili loše balansiranu ploču.
6. Rabite navedenu površinu ploče za brušenje.
7. Ne ostavljajte alat da radi. Alatom radite isključivo držeći ga u ruci.
8. Ne dodirujte izradak odmah nakon rada; može biti izuzetno vruć i mogao bi vas opeći.
9. Ne dodirujte dodatni pribor odmah nakon rada; može biti izuzetno vruć i mogao bi vam opeći kožu.
10. Slijedite upute proizvođača za pravilnu montažu i uporabu ploča. Pozorno rukujte i skladištite ploče.
11. Ne koristite čahure ili adaptere za redukciju za podešavanje abrazivnih ploča s velikim otvorom.
12. Koristite samo prirubnice propisane za ovaj alat.
13. Za alate koji trebaju biti opremljeni pločom s navojnim otvorom provjerite je li navoj ploče dovoljno dug za dotično vreteno.
14. Provjerite je li izradak pravilno podložen.
15. Imajte na umu da se ploča i dalje okreće nakon isključivanja alata.
16. Ako je radno mjesto iznimno vruće i vlažno ili puno prašine koja provodi električnu energiju, upotrijebite kratkospojnu učinsku sklopku (30 mA) kako rukovateljeva sigurnost ne bi bila ugrožena.
17. Ne koristite alat na materijalima koji sadrže azbest.
18. Kada koristite reznu ploču, uvijek radite sa štitnikom ploče protiv prašine sukladno lokalnim zakonskim propisima.
19. Rezni diskovi ne smiju se bočno pritiskati.
20. Nemojte nositi platnene rukavice tijekom rada. Vlakna iz platnenih rukavica mogu ući u alat, što uzrokuje pucanje alata.

ČUVAJTE OVE UPUTE.

▲ UPOZORENJE: NEMOJTE dozvoliti da udobnost ili znanje o proizvodu (stečeno stalnim korištenjem) zamijene strogo pridržavanje sigurnosnih propisa za određeni proizvod. ZLOUPORABA ili nepridržavanje sigurnosnih propisa navedenih u ovom priručniku s uputama mogu prouzročiti ozbiljne ozljede.

FUNKCIONALNI OPIS

▲ OPREZ: Prije podešavanja ili provjere rada alata obavezno provjerite je li stroj isključen i je li kabel iskopčan.

Blokada vretena

Pritisnite blokadu vretena kako se vreteno ne bi okretalo kada postavljate ili skidate dodatnu opremu.

► **SI.1:** 1. Blokada vretena

NAPOMENA: Nikada nemojte aktivirati blokadu vretena dok vreteno radi. Može se oštetiti alat.

Uključivanje i isključivanje

▲ OPREZ: Prije uključivanja stroja na električnu mrežu provjerite radi li uključno/isključna sklopka i vraća li se u položaj za isključivanje „OFF” nakon otpuštanja.

▲ OPREZ: Nemojte na silu povlačiti ručicu prekidača ako niste pritisnuli gumb za blokadu. Sklopka može puknuti.

Da bi se spriječio slučajno povlačenje uključno/isključne poluge, na alat je postavljena ručica za blokadu. Za pokretanje alata ručicu za blokadu povucite prema sebi pa zatim povucite ručicu prekidača. Za isključivanje otpustite ručicu prekidača.

► **SI.2:** 1. Ručica za blokadu 2. Ručica prekidača

Zaštita od nehotičnog pokretanja

Samo za model GA4050R/GA4550R/GA5050R

Alat se ne pokreće pri povlačenju ručice prekidača, čak i kad je alat priključen u struju. Za pokretanje alata najprije otpustite ručicu prekidača. Zatim povucite ručicu za blokadu i povucite ručicu prekidača.

NAPOMENA: Ako je funkcija zaštite od nehotičnog pokretanja uključena, pričekajte minutu prije ponovnog pokretanja alata.

Značajka mekog pokretanja (soft-start)

Samo za model GA4050R/GA4550R/GA5050R

Značajka mekog pokretanja smanjuje reagiranje pri pokretanju.

MONTAŽA

▲ OPREZ: Prije svakog zahvata alat obavezno isključite, a priključni kabel iskopčajte iz utičnice.

Postavljanje bočnog rukohvata (ručke)

▲ OPREZ: Prije rada uvijek provjerite je li bočni rukohvat sigurno postavljen.

Bočni rukohvat dobro učvrstite na alatu u položaj prikazan na slici.

► **SI.3**

Instalacija ili uklanjanje štitnika ploče

▲ UPOZORENJE: Kada koristite koljenastu brusnu ploču, lepezasti disk, savitljivu ploču ili četku sa žičanom pločom, štitnik ploče mora biti pričvršćen na alat tako da je zatvorena strana štitnika uvijek usmjerena prema rukovatelju.

▲ UPOZORENJE: Provjerite blokira li ručica za blokadu čvrsto štitnik ploče pomoću jednog od otvora na štitniku ploče.

▲ UPOZORENJE: Pri upotrebi abrazivne rezne/dijamantne ploče rabite isključivo poseban štitnik namijenjen za uporabu s brusnim pločama.

(U nekim europskim zemljama, kada koristite dijamantnu ploču, možete upotrijebiti običan štitnik. Pridržavajte se propisa važećih u vašoj zemlji.)

Za koljenastu brusnu ploču, lepezasti disk, savitljivu ploču, žičanu četku/ abrazivnu reznu ploču, dijamantnu ploču

1. Dok pritišćete ručicu za blokadu, postavite štitnik ploče tako da izbočine na prstenu štitnika ploče budu poravnate s urezima na kućištu ležaja.

► **SI.4:** 1. Ručica za blokadu 2. Urez 3. Izbočina

2. Dok gurate ručicu za blokadu prema A, držite dio B štitnika ploče kao što je prikazano na slici.

► **SI.5:** 1. Štitnik ploče 2. Otvor

NAPOMENA: Štitnik ploče pritisnite ravno dolje. U protivnom štitnik ploče nećete moći do kraja gurnuti.

3. Dok gurate ručicu za blokadu, okrenite štitnik ploče prema C, a zatim promijenite kut štitnika ploče u skladu s radom tako da rukovatelj može biti zaštićen. Poravnajte ručicu za blokadu s jednim od otvora u štitniku ploče, a zatim otpustite ručicu za blokadu kako biste zaključali štitnik ploče.

► **SI.6:** 1. Štitnik ploče 2. Otvor

Za skidanje štitnika ploče učinite isto obrnutim redoslijedom.

Postavljanje ili uklanjanje koljenaste brusne ploče ili lepezastog diska

Dodatni pribor

▲ UPOZORENJE: Kad se koristi koljenasta brusna ploča ili lepezasti disk, štitnik ploče mora biti pričvršćen na alat tako da je zatvorena strana uvijek usmjerena prema rukovatelju.

▲ OPREZ: Pobrinite se da montažni dio unutarnje prirubnice savršeno odgovara unutarnjem promjeru koljenaste brusne ploče/lepezastog diska. Montaža unutarnje prirubnice na pogrešnoj strani može dovesti do opasnih vibracija.

Postavite unutarnju prirubnicu na vreteno. Obavezno postavite udubljeni dio unutarnje prirubnice na ravni dio na dno vretena. Namjestite koljenastu ploču/lepezasti disk na unutarnju prirubnicu i zavijte sigurnosnu maticu na vreteno.

► **SI.7:** 1. Sigurnosna matica 2. Koljenasta brusna ploča 3. Unutarnja prirubnica 4. Montažni dio

Da biste zategnuli sigurnosnu maticu, čvrsto pritisnite gumb za blokadu vretena tako da se vratilo ne može okretati, a zatim ključem čvrsto zategnite sigurnosnu maticu u smjeru kazaljke na satu.

► **SI.8:** 1. Ključ za sigurnosnu maticu 2. Blokada vretena

Za skidanje ploče učinite isto obrnutim redoslijedom.

Postavljanje ili uklanjanje savitljive ploče

Dodatni pribor

▲ UPOZORENJE: Uvijek koristite isporučeni štitnik kada je savitljiva ploča na alatu. Ploča se tijekom uporabe može razbiti, a štitnici pomažu da se smanji mogućnost osobnih ozljeda.

► **SI.9:** 1. Sigurnosna matica 2. Savitljiva ploča 3. Podloška 4. Unutarnja prirubnica

Slijedite upute za koljenastu brusnu ploču, ali preko ploče stavite i podlošku. Potražite redoslijed sastavljanja na stranici s priborom u ovom priručniku.

Postavljanje ili uklanjanje abrazivnog diska

Dodatni pribor

Za model od 100 mm

► **SI.10:** 1. Sigurnosna matica za brušenje 2. Abrazivni disk 3. Gumena podloška 4. Unutarnja prirubnica

1. Postavite unutarnju prirubnicu na vreteno.
2. Postavite gumenu podlošku na vreteno.
3. Namjestite disk na gumenu podlošku i zategnite brusnu sigurnosnu maticu na vreteno.
4. Držite vratilo u blokadi vretena i čvrsto zategnite sigurnosnu maticu za brušenje u smjeru kazaljke na satu ključem za sigurnosne matice.

Za model od 115 mm/125 mm

► **SI.11:** 1. Sigurnosna matica za brušenje 2. Abrazivni disk 3. Gumena podloška

1. Postavite gumenu podlošku na vreteno.
2. Namjestite disk na gumenu podlošku i zategnite brusnu sigurnosnu maticu na vreteno.
3. Držite vratilo u blokadi vretena i čvrsto zategnite sigurnosnu maticu za brušenje u smjeru kazaljke na satu ključem za sigurnosne matice.

Za uklanjanje ploče učinite isto što i za postavljanje, ali obrnutim redoslijedom.

NAPOMENA: Koristite isključivo dodatke za brušenje nevedene u ovom priručniku. Mora se kupiti zasebno.

RAD

⚠ UPOZORENJE: Zabranjena je primjena sile na alat. Težina alata osigurava odgovarajući pritisak. U slučaju pretjeranog pritiska postoji opasnost od pucanja ploče.

⚠ UPOZORENJE: UVIJEK zamijenite ploču ako tijekom brušenja isпустite alat.

⚠ UPOZORENJE: Brusnom pločom ili diskom **NE SMIJETE** udarati o izradak.

⚠ UPOZORENJE: Vodite računa da ploča ne odskoči ili da se ne okrhne, osobito pri obradi kutova, oštih rubova, itd. To može uzrokovati gubitak kontrole i povratni udar.

⚠ UPOZORENJE: NIKAD ne koristite alat s listovima pile za rezanje drveta i drugim listovima pile. Kada se takvi listovi upotrijebe na brusilici, izazivaju česte povratne udarce i gubitak kontrole.

⚠ UPOZORENJE: Nastavak upotrebe istrošene ploče može dovesti do eksplozije ploče i teških tjelesnih ozljeda.

⚠ OPREZ: Ne uključujte alat dok je doticaju s izratkom jer to može uzrokovati ozljede rukovatelja.

⚠ OPREZ: Uvijek nosite zaštitne naočale ili štitić za lice tijekom rada.

⚠ OPREZ: Nakon završetka rada, uvijek isključite alat i pričekajte dok se potpuno ne zaustavi prije nego što ga odložite.

⚠ OPREZ: Alat UVIJEK čvrsto držite jednom rukom za kućište i drugom za bočni rukohvat (ručku).

Rad s pločom/diskom

► SI.12

Uključite alat, a zatim postavite ploču ili disk na izradak. Držite rub brusne ploče ili diska pod kutom od oko 15° u odnosu na površinu izratka.

Tijekom razdoblja prilagodbe s novom pločom ne koristite brusilicu u smjeru prema naprijed jer će zarezati izradak. Kada se rub brusne ploče zbog uporabe začokruži, ploču možete rabiti i u smjeru prema naprijed i u smjeru unatrag.

Rad s abrazivnom reznom/dijamantnom pločom

Dodatni pribor

⚠ UPOZORENJE: Pri upotrebi abrazivne rezne/dijamantne ploče rabite isključivo poseban štitić namijenjen za uporabu s brusnim pločama.

(U nekim europskim zemljama, kada koristite dijamantnu ploču, možete upotrijebiti običan štitić. Pridržavajte se propisa važećih u vašoj zemlji.)

⚠ UPOZORENJE: NIKAD nemojte rabiti brusnu ploču za bočno brušenje.

⚠ UPOZORENJE: Nemojte „zaglavljivati“ ploču niti primjenjivati prekomjerni pritisak. Nemojte pokušavati napraviti preduboki rez. Prekomjerno naprezanje povećava opterećenje i osjetljivost na uvijanje ili zaglavljivanje ploče pri rezanju, kao i mogućnost povratnog udara, pucanja ploče i pregrijavanja motora.

⚠ UPOZORENJE: Nemojte ponovno pokretati postupak rezanja na izratku. Pustite da ploča dostigne punu brzinu i pažljivo započinite rezati pomičući alat naprijed preko površine izratka. Ako se električni alat pokrene u izratku, ploča se može saviti, podići ili vratiti unatrag.

⚠ UPOZORENJE: Tijekom postupaka rezanja, nikada nemojte mijenjati kut brusne ploče. Primjena bočnog pritiska na brusnu ploču (kao prilikom brušenja) uzrokuje pucanje i lomljenje ploče te ozbiljne tjelesne ozljede.

⚠ UPOZORENJE: Dijamantna ploča mora se postaviti okomito na materijal koji se reže.

- SI.13: 1. Sigurnosna matica 2. Abrazivna rezna ploča/dijamantna ploča 3. Unutarnja prirubnica 4. Štitić ploče za abrazivnu reznu ploču/dijamantnu ploču

Za postavljanje slijedite upute za koljenastu brusnu ploču. Smjer postavljanja sigurnosne matice i unutarnje prirubnice razlikuje se ovisno o debljini brusne ploče. Pogledajte slike u nastavku.

Za model od 100 mm

Prilikom postavljanja abrazivne rezne ploče:

- SI.14: 1. Sigurnosna matica 2. Abrazivna rezna ploča (tanja od 4 mm) 3. Abrazivna rezna ploča (4 mm ili deblja) 4. Unutarnja prirubnica

Prilikom postavljanja dijamantne ploče:

- SI.15: 1. Sigurnosna matica 2. Dijamantna ploča (tanja od 4 mm) 3. Dijamantna ploča (4 mm ili deblja) 4. Unutarnja prirubnica

Za model od 115 mm/125 mm

Prilikom postavljanja abrazivne rezne ploče:

- SI.16: 1. Sigurnosna matica 2. Abrazivna rezna ploča (tanja od 4 mm) 3. Abrazivna rezna ploča (4 mm ili deblja) 4. Unutarnja prirubnica

Prilikom postavljanja dijamantne ploče:

- SI.17: 1. Sigurnosna matica 2. Dijamantna ploča (tanja od 4 mm) 3. Dijamantna ploča (4 mm ili deblja) 4. Unutarnja prirubnica

Rad sa žičanom četkom

Dodatni pribor

▲OPREZ: Provjerite ispravnost četke pokretanjem alata bez opterećenja i pazite da ispred i iza četke nema nikoga.

▲OPREZ: Nemojte koristiti četku koja je oštećena ili koja nije balansirana. Uporaba oštećene četke može povećati mogućnost ozljeda uslijed doticaja sa slomljenim žicama četke.

► **SI.18:** 1. Žičana četka u obliku stošca

Isključite alat i postavite ga naopako da biste lako pristupili vretenu.

Uklonite sve dodatke s vretena. Umetnite žičanu četku u obliku stošca na vreteno i zategnite je isporučeni ključem.

NAPOMENA: Ne pritišćite previše jer bi se tako mogle iskriviti žice prilikom upotrebe četke. To može prouzročiti preuranjeno pucanje.

Rad sa četkom sa žičanom pločom

Dodatni pribor

▲OPREZ: Provjerite ispravnost četke sa žičanom pločom pokretanjem alata bez opterećenja i pazite da ispred i iza četke nema nikoga.

▲OPREZ: Nemojte koristiti četku sa žičanom pločom koja je oštećena ili koja nije balansirana. Uporaba oštećene četke sa žičanom pločom može povećati mogućnost ozljeda uslijed doticaja sa slomljenim žicama četke.

▲OPREZ: Za četku sa žičanom pločom **UVIJEK** koristite štitičnik i provjerite da se promjer kotača odgovara štitičniku. Ploča se tijekom uporabe može razbiti, a štitičnici pomažu da se smanji mogućnost osobnih ozljeda.

► **SI.19:** 1. Žičana četka

Isključite alat i postavite ga naopako da biste lako pristupili vretenu. Uklonite sve dodatke s vretena. Upletite četku sa žičanom pločom na vreteno i zategnite ključevima.

NAPOMENA: Ne pritišćite previše jer bi se tako mogle iskriviti žice prilikom upotrebe četke sa žičanom pločom. To može prouzročiti preuranjeno pucanje.

Povezivanje uzicom (sigurnosna uzica)

▲ Sigurnosna upozorenja specifična za upotrebu na visini. Pročitajte sva sigurnosna upozorenja i upute. Nepridržavanje upozorenja ili uputa može rezultirati ozbiljnim ozljedama.

1. **Uvijek održavajte alat pričvršćenim prilikom rada na visini.** Maksimalna duljina uzice iznosi 2 m. Maksimalna dopuštena visina pada uzice (sigurnosne uzice) ne smije prelaziti 2 m.
2. Upotrebljavajte samo s uzicama prikladnim za ovu vrstu alata koje su namijenjene za težinu od najmanje 4,0 kg.
3. **Nemojte pričvršćivati uzicu alata na bilo koji dio tijela ili na pokretne komponente.** Pričvrstite uzicu alata na stabilnu strukturu koja može izdržati sile u slučaju pada alata.

4. **Pazite da uzica bude ispravno osigurana na svaki kraj prije upotrebe.**
5. **Pregledajte postoje li oštećenja na alatu i uzici prije svake upotrebe te rade li ispravno (uključujući tkaninu i šavove).** Nemojte koristiti u slučaju oštećenja ili neispravnog rada. Alat je potrebno popraviti, osobito ako se oko otvora za uzicu pojavi napuklina ili crvena crta.
6. **Nemojte motati uzicu oko alata i pazite da ne dođe u dodir s oštrim ili neravnim rubovima.**
7. **Pričvrstite drugi kraj uzice izvan radnog područja tako da alat bude dobro pričvršćen u slučaju pada.**
8. **Pričvrstite uzicu tako da alat u tom slučaju ne može pasti na rukovatelja.** Ispušteni alat njihov će se na uzici, što može dovesti do ozljeđivanja ili gubitka ravnoteže.
9. **Nemojte koristiti alat u blizini pokretnih dijelova ili radnih dijelova postrojenja.** U protivnom može doći do opasnosti od loma ili zapetljanja.
10. **Nemojte nositi alat držeći ga za pričvršni uređaj ili uzicu.**
11. **Alat prenosite između ruku samo kad dok održavate odgovarajuću ravnotežu.**
12. **Nemojte pričvršćivati uzice na alat tako da ometaju rad štitičnika, sklopki ili blokada.**
13. **Pazite da se ne zapetljate u uzicu.**
14. **Držite uzicu podalje od reznog područja alata.**
15. **Upotrijebite karabiner sa zaključavanjem (višestupanjski i s vijčanim otvorom).** Nemojte upotrebljavati jednostupanjske karabinere s oprugom.
16. **U slučaju ispuštanja alata, alat treba označiti i ukloniti iz upotrebe, a zatim poslati na pregled u tvornicu Makita ili ovlašteni servisni centar.**
17. **Uzicu pričvrstite samo uz pomoć pričvršne kopče.** Nemojte je pričvršćivati uz pomoć petlje ili vezanjem. Ne upotrebljavajte kabele ili žice.

► **SI.20:** 1. Otvor za uzicu (sigurnosna uzica)

ODRŽAVANJE

▲OPREZ: Uvijek isključite i odspojite alat iz utičnice prije obavljanja pregleda ili održavanja.

NAPOMENA: Nikada nemojte koristiti benzin, mješavinu benzina, razrjeđivač, alkohol ili slično. Kao rezultat toga može se izgubiti boja, pojaviti deformacija ili pukotine.

Da biste zadržali SIGURNOST I POUZDANOST proizvoda, održavanje ili namještanje trebali biste prepustiti ovlaštenim servisnim ili tvorničkim centrima tvrtke Makita; uvijek rabite originalne rezervne dijelove.

Čišćenje ventilacijskih otvora

Alat i njegovi ventilacijski otvori se moraju držati čistim. Redovito čistite ventilacijske otvore ili kad god se otvori začepi.

► **SI.21:** 1. Ispušni otvor 2. Usisni otvor

DODATNI PRIBOR

⚠ OPREZ: Ovaj dodatni pribor ili priključci preporučuju se samo za upotrebu s alatom Makita navedenim u ovom priručniku. Upotreba bilo kojeg drugog dodatnog pribora ili priključaka može prouzročiti ozljede. Upotrebjavajte dodatni pribor ili priključak samo za njegovu navedenu svrhu.

Ako vam je potrebna pomoć za više detalja u pogledu ovih dodatnih pribora, obratite se najbližem Makita servisnom centru.

► SI.22

-	Model od 100 mm	Model od 115 mm	Model od 125 mm
1	Bočni rukohvat		
2	Štitnik ploče (za brusnu ploču)		
3	Unutarnja prirubnica	Unutarnja prirubnica/superprirubnica	
4	Koljenasta ploča/lepezasti disk		
5	Sigurnosna matica		
6	Podloška		
7	Savitljiva ploča		
8	Gumena podloška 76	Gumena podloška 100	Gumena podloška 115
9	Abrazivni disk		
10	Sigurnosna matica za brušenje		
11	Žičana četka		
12	Žičana četka u obliku stošca		
13	Štitnik ploče (za reznu ploču) *1		
14	Abrazivna rezna ploča/dijamantna ploča		
-	Ključ za sigurnosnu maticu		
-	Poklopac za prašinu		

NAPOMENA: *1 U nekim se Europskim zemljama prilikom upotrebe dijamantne ploče može koristiti običan štitnik umjesto posebnog štitnika koji prekriva obje strane ploče. Pridržavajte se propisa važećih u vašoj zemlji.

NAPOMENA: Neke stavke iz popisa se mogu isporučiti zajedno sa strojem kao standardni dodatni pribori. Oni mogu biti različiti ovisno o zemlji.

СПЕЦИФИКАЦИИ

Модел:	GA4050	GA4050R	GA4550	GA4550R	GA5050	GA5050R
Дијаметар на тркало	100 мм (4")		115 мм (4-1/2")		125 мм (5")	
Макс. дебелина на тркалото	6,4 мм (1/4")		7,2 мм (9/32")			
Навој на вретеното	M10		M14 или 5/8"			
Номинална брзина (n)	11.000 мин. ⁻¹					
Вкупна должина	325 мм					
Нето тежина	2,3 - 2,6 кг		2,4 - 2,8 кг		2,5 - 2,8 кг	
Класа на безбедност	□/II					

- Поради нашата континуирана програма за истражување и развој, спецификациите тука подлежат на промена без најава.
- Спецификациите може да се разликуваат од држава до држава.
- Тежината може да се разликува во зависност од додатоците. Најлесната и најтешката комбинација, согласно процедурата на ЕПТА 01/2014 (Европската асоцијација за електрични алати), се прикажани во табелата.

Наменета употреба

Алатот е наменет за брусење, стругање и сечење метал и камен без користење вода.

Напојување

Алатот треба да се поврзува само со напојување со ист напон како што е назначено на плочката и може да работи само на еднофазна наизменична струја. Алатот е двојно изолиран и може да се користи и со приклучоци што не се заземјени.

Бучава

Типична А-вредност за ниво на бучавата одредена во согласност со EN60745-2-3:

Модел	Ниво на звучниот притисок (L_{pA}): (dB(A))	Ниво на јачина на звукот (L_{WA}): (dB(A))	Отстапување (K): (dB(A))
GA4050	91	102	3
GA4050R	91	102	3
GA4550	91	102	3
GA4550R	91	102	3
GA5050	91	102	3
GA5050R	91	102	3

НАПОМЕНА: Номиналната вредност(и) за емисија на бучава е измерена во согласност со стандардни методи за испитување и може да се користи за споредување алати.

НАПОМЕНА: Номиналната вредност(и) за емисија на бучава може да се користи и како прелиминарна процена за изложеност.

▲ ПРЕДУПРЕДУВАЊЕ: Носете заштита за ушите.

▲ ПРЕДУПРЕДУВАЊЕ: Емисијата на бучава при фактичкото користење на алатот може да се разликува од номиналната вредност(и), зависно од начинот на којшто се користи алатот, особено од тоа како вид работен материјал се обработува.

▲ ПРЕДУПРЕДУВАЊЕ: Погрижете се да ги утврдите безбедносните мерки за заштита на лице кое ракува со алатот врз основа на процена на изложеноста при фактичките услови на употреба (земајќи ги предвид сите делови на работниот циклус, како периодите кога електричниот алат е исклучен и кога работи во празен од, не само кога е активен).

Вибрации

Вкупна вредност на вибрациите (векторска сума на три оски) одредена во согласност со EN60745-2-3:

Работен режим: брусење површина со нормален страничен држач

Модел	Ширење вибрации ($a_{h, AG}$): (m/c^2)	Отстапување (K): (m/c^2)
GA4050	6,5	1,5
GA4050R	6,5	1,5
GA4550	7,0	1,5
GA4550R	7,0	1,5
GA5050	7,5	1,5
GA5050R	7,5	1,5

Работен режим: брусење површина со антивибрациски страничен држач

Модел	Ширење вибрации ($a_{h, AG}$): (m/c^2)	Отстапување (K): (m/c^2)
GA4050	5,5	1,5
GA4050R	5,5	1,5
GA4550	7,0	1,5
GA4550R	7,0	1,5
GA5050	8,5	1,5
GA5050R	8,5	1,5

Работен режим: стругање со диск со нормален страничен држач

Модел	Ширење вибрации ($a_{h, AG}$): (m/c^2)	Отстапување (K): (m/c^2)
GA4050	2,5 m/c^2 или помалку	1,5
GA4050R	2,5 m/c^2 или помалку	1,5
GA4550	2,5	1,5
GA4550R	2,5	1,5
GA5050	2,5 m/c^2 или помалку	1,5
GA5050R	2,5 m/c^2 или помалку	1,5

Работен режим: стругање со диск со антивибрациски страничен држач

Модел	Ширење вибрации ($a_{h, AG}$): (m/c^2)	Отстапување (K): (m/c^2)
GA4050	2,5 m/c^2 или помалку	1,5
GA4050R	2,5 m/c^2 или помалку	1,5
GA4550	2,5 m/c^2 или помалку	1,5
GA4550R	2,5 m/c^2 или помалку	1,5
GA5050	2,5 m/c^2 или помалку	1,5
GA5050R	2,5 m/c^2 или помалку	1,5

НАПОМЕНА: Вкупната вредност(и) на номиналната јачина на вибрациите е измерена во согласност со стандардни методи за испитување и може да се користи за споредување алати.

НАПОМЕНА: Вкупната вредност(и) на номиналната јачина на вибрациите може да се користи и како прелиминарна процена за изложеност.

▲ПРЕДУПРЕДУВАЊЕ: Јачината на вибрациите при фактичкото користење на алатот може да се разликува од номиналната вредност(и), зависно од начинот на којшто се користи алатот, особено од тоа како вид работен материјал се обработува.

▲ПРЕДУПРЕДУВАЊЕ: Погрижете се да ги утврдите безбедносните мерки за заштита на лицето кое ракува со алатот врз основа на процена на изложеноста при фактичките услови на употреба (земајќи ги предвид сите делови на работниот циклус, како периодите кога електричниот алат е исклучен и кога работи во празен од, не само кога е активен).

▲ПРЕДУПРЕДУВАЊЕ: Номиналната јачина на вибрациите се користи за главните намени на алатот. Меѓутоа, ако алатот се користи за други намени, јачината на вибрациите може да биде различна.

Декларација за сообразност од ЕУ

Само за земјите во Европа

Декларацијата за сообразност од ЕУ е вклучена во Додаток А од упатствата за корисникот.

БЕЗБЕДНОСНИ ПРЕДУПРЕДУВАЊА

Општи упатства за безбедност за електричните алати

▲ ПРЕДУПРЕДУВАЊЕ: Прочитајте ги сите безбедносни предупредувања, упатства, илустрации и спецификации дадени со електричниот алат. Ако не се почитуваат сите упатства наведени подолу, може да дојде до струен удар, пожар и/или сериозни повреди.

Чувајте ги сите предупредувања и упатства за да може повторно да ги прочитате.

Под терминот „електричен алат“ во предупредувањата се мисли на вашиот електричен алат кој работи на струја (со кабел) или на батерии (безжично).

Безбедносни предупредувања за брусилката

Општи безбедносни предупредувања за брусеење, стругање, четкање со жица или абразивно сечење:

1. Овој алат е наменет да се користи за брусеење, стругање, четкање со жица или абразивно сечење. Прочитајте ги сите безбедносни предупредувања, упатства, илустрации и спецификации дадени со електричниот алат. Ако не се почитуваат сите упатства наведени подолу, може да дојде до струен удар, пожар и/или сериозни повреди.
2. Не се препорачува да се врши полирање со овој алат. Операциите за кои алатот не е наменет може да предизвикаат опасност и физички повреди.
3. Не користете додатоци што не се посебно одредени и препорачани од производителот на алатот. Тоа што додатокот може да се прикачи на вашиот електричен алат не значи дека е безбеден за употреба.
4. Номиналната брзина на додатокот мора да биде барем еднаква со максималната брзина означена на алатот. Doddatoците што се вртат побрзо од номиналната брзина може да се скршат и да се распрскаат.
5. Надворешниот пречник и дебелината на додатокот мора да се во рамките на нормалниот капацитет на алатот. Doddatoците со неправилна големина не можат соодветно да се заштитат или контролираат.

6. Монтажните додатоци со навој мора да соодветствуваат на навојот на вретеното на брусилката. За додатоци што се монтираат со фланши, отворот за прицвстување на додатокот мора да одговара на дијаметарот на фланшата. Doddatoците што не одговараат на монтажниот хардвер на алатот ќе работат без рамнотежа, ќе вибрираат прекумерно и може да предизвикаат губење на контролата.
7. Не користете оштетени додатоци. Пред секоја употреба, проверете ги додатоците како што се абразивните тркала да не се скршени или напукнати, подлошките да не се напукнати, избавени или истрошени, четките да нема откачени или искинати жици. Ако алатот или додатокот ви падне, проверете дали има оштетувања или ставете неоштетен додаток. Откако ќе го проверите и ќе го наместите додатокот, поставете се себеси и околните лица подалеку од рамнината на вртливиот додаток и ракувајте со алатот при максимална неоптоварена брзина една минута. Оштетените додатоци обично се распаѓаат за време на овој пробен период.
8. Носете опрема за лична заштита. Зависно од примената, користете заштита за лицето, безбедносни затемнети очила или заштитни очила. Зависно од работата, носете маска за прашина, ракавици и работна престилка што може да сопре мали отпадоци од брусеење или стругање. Заштитата за очи треба да сопира разлетан отпад произведен од работата. Маската за прашина или респираторот треба да можат да ги филтрираат честичките што ги произведува вашата работа. Подолга изложеност на голема бучава може да предизвика оштетување на слухот.
9. Присутните лица треба да се на безбедна оддалеченост од работното подрачје. Секој што влегува во работното подрачје треба да носи заштитна опрема. Парчиња од обработуваниот материјал или од скршен додаток може да одлетаат и да предизвикаат повреди надвор од непосредното работно подрачје.
10. Држете го алатот само за изолираните држачи кога вршите работи каде што додатокот за сечење може да дојде во допир со скрпени жици или сопствениот кабел. Doddatок за сечење што ќе допре жица под напон може да ја пренесе струјата до металните делови на алатот и да предизвика струен удар на операторот.
11. Поставете го кабелот подалеку од вртливиот додаток. Ако изгубите контрола, кабелот може да се пресече или повлече и раката или дланката може да ви се повлечат во вртливиот додаток.
12. Не одложувајте го алатот додека додатокот не сопре сосема. Вртливиот додаток може да ја зафати површината и да го извлече алатот од контрола.
13. Алатот не смее да е вклучен додека го пренесувате. Случаен допир со вртливиот додаток може да ви ја зафати облеката и да ве повреди.

14. **Редовно чистете ги отворите за проветрување на алатот.** Вентилаторот на моторот привлекува прашина во куќиштето, а прекумерното насобирање метал во прав може да предизвика опасност од струен удар.
15. **Не ракувајте со алатот близу до запаливи материјали.** Искрите може да предизвикаат пожар.
16. **Не користете додатоци за коишто се потребни течности за ладење.** Користењето вода или друга течност за ладење може да предизвика струен удар.

Повратен удар и предупредувања

Повратен удар настанува при ненадејно заглавување или поткачување на тркало, подлошка, четка или некој друг додаток што се врти. Заглавувањето или поткачувањето предизвикува нагло сопирање на вртливиот додаток, што предизвикува губење контрола врз алатот и негово придвижување во насока спротивна од вртењето на тркалото на точката на заглавувањето. На пример, ако абразивно тркало се заглави во работниот материјал, работ на тркалото што влегува во точката на заглавувањето може да се зарие во површината на материјалот, што ќе предизвика тркалото да излезе или да отскокне. Каменот може да отскокне кон операторот или настрана од него, зависно од насоката на движење на каменот во точката на заглавување. Абразивните камења може исто така да се скршат под вакви услови. Повратниот удар е резултат од неправилна употреба на алатот и/или неправилни работни постапки и услови и може да се избегне со преземање соодветни мерки на претпазливост, како што е наведено подолу.

1. **Цврсто држете го алатот и наместете ги телото и раката, така што ќе можат да ги издржат силите од повратен удар. Секогаш користете помошна рачка, ако ја има, за максимална контрола при повратен удар или торзиска реакција за време на стартувањето.** Операторот може да ги контролира торзиските реакции и силите на повратниот удар ако се преземат соодветни мерки на претпазливост.
2. **Не ставајте ја раката близу до вртливиот додаток.** Додатокот може да се одбие преку раката.
3. **Не поставувајте го телото во подрачјето каде што алатот ќе се придвижи во случај на повратен удар.** Повратниот удар ќе го фрли алатот во насока спротивна од движењето на тркалото во точката на заглавување.
4. **Бидете особено внимателни кога работите на агли, остри рабови и сл. Избегнувајте скокање и завлекување на додатокот.** Аглите, острите рабови и отскокнувањето можат да го заглават вртливиот додаток и да предизвикаат губење контрола или повратен удар.
5. **Не ставајте сечила за дрворез или назабени сечила.** Таквите сечила често предизвикуваат повратни удари и губење контрола.

Безбедносни предупредувања специфични за брусење и абразивно сечење:

1. **Користете само типови тркала што се препорачани за вашиот алат и специфичниот штитник конструиран за избраното тркало.** Тркала за кои алатот не е конструиран не може да се заштитат соодветно и се небезбедни.
2. **Површината што се бруси на тркалата со вдлабнато средиште мора да биде монтирана под рамнината на штитникот.** Неправилно монтираното тркало што поминува низ рамнината на штитникот не може адекватно да се заштити.
3. **Штитникот мора да биде цврсто прикачен на електричниот алат и поставен за максимална безбедност, така што најмал дел на тркалото да е изложен кон операторот.** Штитникот помага да се заштити операторот од парчиња скршено тркало, случаен контакт со тркалото и искри што може да ја запалат облеката.
4. **Тркалата смеат да се користат само за препорачаните намени. На пример: не брусете со страната на тркалото за сечење.** Тркалата за абразивно сечење се наменети за периферно брусење, па страничните сили што влијаат на таквите тркала можат да ги распрскаат.
5. **Секогаш користете неоштетени фланши за тркалото што се со правилни големина и облик за избраното тркало.** Соодветните фланши за тркало го држат тркалото и со тоа ја намалуваат можноста тоа да се скрши. Фланшите за тркалата за сечење може да се различни од фланшите за брусните плочи.
6. **Не користете изабени тркала од поголеми електрични алати.** Тркалата наменети за поголеми алати не се погодни за поголемите брзини на помалите алати и може да прснат.

Дополнителни безбедносни предупредувања за абразивно сечење:

1. **Не заглавувајте го тркалото за сечење и не притискајте прекумерно. Не обидувајте се да сечете предлабоко.** Пренапрегнувањето на тркалото го зголемува оптоварувањето и можноста за извиткување или лепење на тркалото во засекот, а со тоа и можноста за повратен удар или кршење на тркалото.
2. **Не поставувајте го телото во линија со вртливото тркало или зад него.** Кога тркалото, на точката на работа, се движи подалеку од вашето тело, можниот повратен удар може да ги фрли завртеното тркало и алатот право на вас.
3. **Кога тркалото се лепи или кога сечењето се прекинува поради нешто, исклучете го алатот и држете го неподвижен додека тркалото не сопре целосно. Не обидувајте се да го извадите тркалото за сечење од резот додека тркалото се движи, инаку може да дојде до повратен удар.** Испитајте и преземете мерки за отстранување на причините за лепење на тркалото.

4. Не почнувајте со сечењето повторно додека тркалото е во работниот материјал. Оставете тркалото да достигне максимална брзина и внимателно влезете повторно во резот. Тркалото може да се залепи, да осцилира или да дојде до повратен удар ако електричниот алат се активира повторно во материјалот.
5. Прицврстете ги плочите или материјалите што се преголеми за да го намалите ризикот од заглавување на тркалото и повратен удар. Големите парчиња материјал обично се виткаат од сопствената тежина. Држачите треба да се стават под материјалот, близу до линијата на сечење и до работ на материјалот од двете страни на тркалото.
6. Бидете особено внимателни кога засекувате во постојни ѕидови или други слепи подрачја. Тркалото, за време на навлегувањето, може да исече водоводни или цевки за плин, електрични инсталации или предмети што може да предизвикаат повратен удар.
7. Не оставајте го алатот вклучен. Работете со алатот само кога го држите в раце.
8. Не допирајте го материјалот веднаш по работата, може да е многу жежок и да ви ја изгори кожата.
9. Не допирајте ги додатоките веднаш по работата, може да се многу жешки и да ви ја изгори кожата.
10. Почитувајте ги упатствата на производителот за правилно монтирање и користење на камењата. Бидете внимателни кога ракувате со камењата и кога ги одложувате.
11. Не користете посебни редуцирачки лежишта или адаптери за да ставате абразивни тркала со голем отвор.
12. Користете само фланши наменети за овој алат.
13. За алатите на кои се ставаат тркала со отвор со навои, внимавајте навојот во тркалото да е доволно долг да ја прими должината на вретеното.
14. Проверете дали материјалот е добро прицврстен.
15. Внимавајте, тркалото продолжува да се врти по исклучување на алатот.
16. Ако работното место е крајно жешко и влажно или многу загадено со спроводлив прав, користете прекинувач за краток спој (30 mA) за безбедност на операторот.
17. Не користете го алатот ако материјалот содржи азбест.
18. Кога користите тркало за сечење, секогаш работете со штитникот за собирање прав што го бараат домашните прописи.
19. Дискот за сечење не смее да се притиска странично.
20. Не користете платнени работни ракавици при работата. Текстилните влакна од платнените ракавици може да навлезат во алатот, што предизвикува кршење на алатот.

Посебни безбедносни предупредувања за шмирглање:

1. Не користете преголем диск со шмиргла. Почитувајте ги препораките на производителот кога бирате шмиргла. Поголема шмиргла што стрчи надвор од подлогата за стругање е опасна бидејќи може да ве расече, да предизвика заглавување, кинење на дискот или повратен удар.

Посебни безбедносни предупредувања за четкање со жица:

1. Имајте предвид дека се исфрлаат жичени влакненца од четката дури и при нормална работа. Не напрегајте ги жиците со прекумерен притисок на четката. Влакната на жицата лесно може да пробијат лесна облека или кожа.
2. Ако се препорачува користење штитник за четкање со жица, не дозволувајте допир на жиченото тркало или четката со штитникот. Жиченото тркало или четката може да го зголемат пречникот поради работното оптоварување и центрифугалните сили.

Дополнителни безбедносни предупредувања:

1. Кога користите брусни плочи со вдлабнато средиште, користете само тркала зајакнати со армирано стакло.
2. НЕ КОРИСТЕТЕ испакнати тркала со оваа брусилка. Брусилката не е конструирана за такви видови тркала и користењето такви производи може да доведе до тешки повреди.
3. Внимавајте да не ги оштетите вретеното, фланшата (особено површината за монтирање) или навртката за стегање. Оштетувањето на тие делови може да доведе до кршење на тркалото.
4. Внимавајте каменот да не го допира материјалот пред да се вклучи прекинувачот.

ЧУВАЈТЕ ГО УПАТСТВОТО.

▲ ПРЕРУДУВАЊЕ: НЕ ДОЗВОЛУВАЈТЕ удобноста или познавањето на производот (стекнати со подолга употреба) да ве наведат да не се придржувате строго до безбедносните правила за овој производ. ЗЛОУПОТРЕБАТА или непочитувањето на безбедносните правила наведени во ова упатство може да предизвикаат тешка телесна повреда.

ОПИС НА ФУНКЦИИТЕ

▲ВНИМАНИЕ: Пред секое дотерување или проверка на алатот, проверете дали е исклучен и откачен од струја.

Блокада на оската

Притиснете ја блокадата на оската за да спречите вртење на вретеното кога ставате или водите додатоци.

► Сл.1: 1. Блокада на оската

ЗАБЕЛЕШКА: Не затегнувајте ја блокадата на оската кога вретеното се движи. Алатот може да се оштети.

Вклучување

▲ВНИМАНИЕ: Пред да го приклучите кабелот во мрежата, проверете го прекинувачот дали функционира правилно и дали се враќа во положбата „OFF“ кога ќе се отпушти.

▲ВНИМАНИЕ: Не повлекувајте го лостот на прекинувачот на сила без да го притиснете копчето за деблокирање. Прекинувачот може да се скрши.

За да спречите случајно повлекување на лостот на прекинувачот, вграден е лост за блокирање. За да го стартувате алатот, повлечете го лостот за одблокирање кон операторот и потоа повлечете го лостот на прекинувачот. За запирање, отпуштете ја рачката на прекинувачот.

► Сл.2: 1. Лост за одблокирање 2. Рачка на прекинувач

Заштита од ненамерно рестартирање

Само за моделот GA4050R/GA4550R/GA5050R

Алатот не се стартува додека се повлекува лостот на прекинувачот дури и кога алатот е поврзан на напојување. За да го стартувате алатот, прво, отпуштете го лостот на прекинувачот. Потоа, повлечете го лостот за блокирање, а потоа, повлечете го лостот на прекинувачот.

НАПОМЕНА: Кога несакајќи ќе го вклучите алатот, почекајте повеќе од една секунда пред да го рестартирате.

Одлика за меко стартување

Само за моделот GA4050R/GA4550R/GA5050R

Одликата за меко стартување ја намалува почетната реакција.

СОСТАВУВАЊЕ

▲ВНИМАНИЕ: Пред да работите нешто на алатот, проверете дали е исклучен и откачен од струја.

Местење на страничниот држач (рачка)

▲ВНИМАНИЕ: Секогаш проверувајте дали страничниот држач е наместен цврсто пред да работите.

Завртете го страничниот држач цврсто во положбата на алатот како што е прикажано на сликата.

► Сл.3

Монтирање или отстранување на штитникот за тркало

▲ПРЕДУПРЕДУВАЊЕ: Кога користите тркало со вдлабнато средиште, повеќеделен диск, флекси-тркало или тркало со жичена четка, штитникот за тркалото треба да се монтира на алатот, така што затворената страна на штитникот да биде свртена кон операторот.

▲ПРЕДУПРЕДУВАЊЕ: Осигурете се дека штитникот за тркало е безбедно заклучен со лостот за блокирање со еден од отворите на штитникот за тркало.

▲ПРЕДУПРЕДУВАЊЕ: Кога користите тркало за абразивно сечење/дијамантско тркало, внимавајте да го користите само специјалниот штитник конструиран за тркалата за сечење.

(Во некои европски земји може да се користи и обичниот штитник при користење на дијамантските тркала. Почитувајте ги прописите во земјата.)

За тркало со вдлабнато средиште, повеќеделен диск, флекси-тркало, кружна жичена четка/тркало за абразивно сечење, дијамантско тркало

1. Додека го притискате лостот за блокирање, монтирајте го штитникот за тркалото со испакнатите делови на штитникот за тркалото порамнет со жлебовите на кутијата на лежиштето.

► Сл.4: 1. Лост за блокирање 2. Жлеб 3. Испакнат дел

2. Додека го туркате лостот за блокирање кон А, држете ги деловите Б од штитникот за тркалото како што е прикажано на сликата.

► Сл.5: 1. Штитник за тркало 2. Отвор

НАПОМЕНА: Рамно притиснете го надолу штитникот за тркало. Во спротивно, нема да може целосно да го притиснете штитникот за тркало.

3. Додека го туркате лостот за блокирање, свртете го штитникот за тркалото кон В, па променете го аголот на штитникот за тркалото според работата така што операторот да може да биде заштитен. Порамнете го лостот за блокирање со една од дупките на штитникот за тркалото, па ослободете го лостот за блокирање за да го заклучите штитникот за тркалото.

► **Сл.6:** 1. Штитник за тркало 2. Отвор

За да го извадите штитникот за тркало, следете ја постапката за мesteње по обратен редослед.

Монтирање или вадење на тркало со вдлабнато средиште или повеќеделен диск

Опционален прибор

▲ ПРЕДУПРЕДУВАЊЕ: Кога користите тркало со вдлабнато средиште или повеќеделен диск, штитникот на тркалото треба да се монтира на алатот, така што затворената страна на штитникот да биде свртена кон операторот.

▲ ВНИМАНИЕ: Уверете се дека делот од внатрешната фланша што се монтира совршено го собира во внатрешниот дијаметар на вдлабнатото средиште/повеќеделниот диск. Ако внатрешната фланша се монтира на погрешната страна, може да настанат опасни вибрации.

Монтирајте ја внатрешната фланша на вретеното. Поставете го вдлабнатиот дел од внатрешната фланша на рамниот дел на дното од вретеното. Наместете го вдлабнатото средиште/повеќеделниот диск на внатрешната фланша и завртете ја навртката на вретеното.

► **Сл.7:** 1. Навртка за стегање 2. Тркало со вдлабнато средиште 3. Внатрешна фланша 4. Дел за монтирање

За да ја затегнете навртката, притиснете ја цврсто блокадата на оската, така што вретеното нема да може да се врти, па со клучот за стегање затегнете ја наредно.

► **Сл.8:** 1. Клуч за стегање 2. Блокада на оската

За да го извадите тркалото, следете ја постапката за мesteње по обратен редослед.

Ставање и вадење флекси-тркало

Опционален прибор

▲ ПРЕДУПРЕДУВАЊЕ: Секогаш користете го испорачаниот штитник кога флекси-тркалото е поставено на алатот. Тркалото може да се распорсне за време на употребата, а штитникот помага во намалување на шансите за телесна повреда.

► **Сл.9:** 1. Навртка за стегање 2. Флекси-тркало 3. Подлошка 4. Внатрешна фланша

Следете ги упатствата за тркалото со вдлабнато средиште, но, исто така, користете подлошка врз тркалото. Редоследот на склопување можете да го видите на страницата за додатоците во ова упатство за употреба.

Инсталирање или отстранување на абразивниот диск

Опционален прибор

За модел од 100 мм

► **Сл.10:** 1. Навртка за шмирглање 2. Абразивен диск 3. Гумена подлошка 4. Внатрешна фланша

1. Монтирајте ја внатрешната фланша на вретеното.
2. Монтирајте ја гумената подлошка на вретеното.
3. Поставете го дискот на гумената подлошка и завртете ја навртката за блокирање на вретеното.
4. Држете го вретеното со блокадата на оската и убаво стегнете ја навртката за шмирглање наредно со клуч за навртки.

За модел од 115 мм/125 мм

► **Сл.11:** 1. Навртка за шмирглање 2. Абразивен диск 3. Гумена подлошка

1. Монтирајте ја гумената подлошка на вретеното.
2. Поставете го дискот на гумената подлошка и завртете ја навртката за блокирање на вретеното.
3. Држете го вретеното со блокадата на оската и убаво стегнете ја навртката за шмирглање наредно со клуч за навртки.

За да го извадите дискот, следете ја постапката за мesteње по обратен редослед.

НАПОМЕНА: Користете додатоци за стругање назначени во ова упатство. Тие треба да се купат посебно.

РАБОТЕЊЕ

▲ ПРЕДУПРЕДУВАЊЕ: Никогаш не би требало да се применува сила врз алатот. Тежината на алатот нанесува доволно притисок. Додавањето сила и прекумерен притисок може да предизвикаат опасно кршење на тркалото.

▲ ПРЕДУПРЕДУВАЊЕ: СЕКОГАШ заменувајте го тркалото ако алатот ви падне при брусење.

▲ ПРЕДУПРЕДУВАЊЕ: НИКОГАШ не удирајте ја плочата или тркалото за брусење на материјалот.

▲ ПРЕДУПРЕДУВАЊЕ: Избегнувајте отскокнување и заглавување на тркалото, особено кога работите на агли, остри рабови и сл. Така може да изгубите контрола и да дојде до повратен удар.

▲ ПРЕДУПРЕДУВАЊЕ: НЕ КОРИСТЕТЕ ГО алатот со сечила за дрворез и други пили за дрво. Таквите сечила, кога се користат со брусилка, често удираат и предизвикуваат губење контрола, што може да доведе до телесна повреда.

▲ ПРЕДУПРЕДУВАЊЕ: Продолжената употреба на истрошено тркало може да резултира со негова експлозија и тешка телесна повреда.

▲ВНИМАНИЕ: Никогаш не вклучувајте го алатот кога е во контакт со работниот материјал, во спротивно може да дојде до повреда на операторот.

▲ВНИМАНИЕ: Секогаш носете заштитни очила или маска за заштита на лицето при работата.

▲ВНИМАНИЕ: По работата, секогаш исклучувајте го алатот и почекајте додека тркалото не сопре сосема пред да го одложите алатот.

▲ВНИМАНИЕ: СЕКОГАШ држете го алатот цврсто со едната рака за куќиштето и со другата на страничниот држач (рачка).

Работа со тркало/диск

► Сл.12

Вклучете го алатот и потоа, ставете ги тркалото или дискот во работниот материјал. По принцип, одржувајте го работ од тркалото или дискот под агол од околу 15° во однос на површината на работниот материјал. За време на првичниот период на користење ново тркало, не работете со брусилката во насока напред бидејќи ќе засече во работниот материјал. Штом работ на тркалото ќе се заобли од употребата, со тркалото може да се работи во двете насоки, напред и наназад.

Работа со тркало за абразивно сечење/дијамантско тркало

Опционален прибор

▲ПРЕДУПРЕДУВАЊЕ: Кога користите тркало за абразивно сечење/дијамантско тркало, внимавајте да го користите само специјалниот штитник конструиран за тркалата за сечење.

(Во некои европски земји може да се користи и обичниот штитник при користење на дијамантските тркала. Почитувајте ги прописите во земјата.)

▲ПРЕДУПРЕДУВАЊЕ: НИКОГАШ не користете го тркалото за сечење за странично брусеење.

▲ПРЕДУПРЕДУВАЊЕ: Не заглавувајте го тркалото и не притискајте прекумерно. Не обидувајте се да сечете предлабоко. Пренапругувањето на тркалото го зголемува оптоварувањето и можноста за извиткување или лепење на тркалото во засекот и можноста за повратен удар, кршење на тркалото и прегревање на моторот.

▲ПРЕДУПРЕДУВАЊЕ: Не почувајте со сечењето повторно додека тркалото е во материјалот. Оставете го тркалото да достигне максимална брзина и внимателно влезете во засекот, движејќи го алатот напред преку површината на материјалот. Тркалото може да осцилира, да излезе или да удри наназад ако алатот се стартува во материјалот.

▲ПРЕДУПРЕДУВАЊЕ: За време на сечењето, не менувајте го аголот на тркалото. Ако се притиска странично на тркалото за сечење (при брусеење) може да дојде до пукање или кршење на тркалото, што може да предизвика тешки телесни повреди.

▲ПРЕДУПРЕДУВАЊЕ: Со дијамантското тркало треба да се работи вертикално врз материјалот за сечење.

- Сл.13: 1. Навртка за стегање 2. Тркало за абразивно сечење/дијамантско тркало 3. Внатрешна фланша 4. Штитник за тркало за абразивно сечење/дијамантско тркало

За монтирање, следете ги упатствата за тркало со вдлабнато средиште.

Насоката за монтирање на навртката и внатрешната фланша се разликува зависно од дебелината на тркалото.

Погледнете ги следните цифри.

За модел од 100 мм

Кога се монтира абразивното тркало за сечење:

- Сл.14: 1. Навртка за стегање 2. Абразивно тркало за сечење (потенко од 4 мм) 3. Абразивно тркало за сечење (од 4 мм или подебело) 4. Внатрешна фланша

Кога се монтира дијамантското тркало:

- Сл.15: 1. Навртка за стегање 2. Дијамантско тркало (потенко од 4 мм) 3. Дијамантско тркало (од 4 мм или подебело) 4. Внатрешна фланша

За модел од 115 мм/125 мм

Кога се монтира абразивното тркало за сечење:

- Сл.16: 1. Навртка за стегање 2. Абразивно тркало за сечење (потенко од 4 мм) 3. Абразивно тркало за сечење (од 4 мм или подебело) 4. Внатрешна фланша

Кога се монтира дијамантското тркало:

- Сл.17: 1. Навртка за стегање 2. Дијамантско тркало (потенко од 4 мм) 3. Дијамантско тркало (од 4 мм или подебело) 4. Внатрешна фланша

Операции со испакната жичена четка

Опционален прибор

▲ВНИМАНИЕ: Проверете ја функционалноста на четката оставајќи го алатот да работи без оптоварување, осигурувајќи дека нема никој пред или во линија со четката.

▲ВНИМАНИЕ: Не користете ја четката ако е оштетена или ако е неурамнотежена. Користењето оштетена четка може да го зголеми потенцијалот за повреда од доаѓање во допир со скршени жици од четката.

- Сл.18: 1. Испакната жичена четка

Исклучете го алатот од напојување и поставете го свртен обротно за да добиете лесен пристап до вретеното.

Издадете ги сите додаточи од вретеното. Монтирајте испакната жичена четка врз вретеното и стегнете ја со испорачаниот клуч.

ЗАБЕЛЕШКА: Избегнете преголем притисок при користење на четката, со што може да се извиткаат жиците. Со тоа може предвремено да се искршат.

Операции со кружна жичена четка

Опционален прибор

▲ВНИМАНИЕ: Проверете ја функционалноста на жичената четка оставајќи го алатот да работи без оптоварување, осигурувајќи дека нема никој пред или во линија со четката.

▲ВНИМАНИЕ: Не користете ја жичената четка ако е оштетена или ако е неурамнотежена. Користењето оштетена жичена четка може да го зголеми потенцијалот за повреда од доаѓање во допир со скршени жици од четката.

▲ВНИМАНИЕ: СЕКОГАШ користете штитник со жичените кружни четки, уверувајќи се дека дијаметарот на тркалото одговара на штитникот. Тркалото може да се распрне за време на употребата, а штитникот помага во намалување на шансите за телесна повреда.

► Сл.19: 1. Кружна жичена четка

Исклучете го алатот од напојување и поставете го свртен обратно за да добиете лесен пристап до вретеното. Извадете ги сите додатоци од вретеното. Ставете ја кружната жичена четка врз вретеното и затегнете со клучевите.

ЗАБЕЛЕШКА: Избегнете преголем притисок при користење на четката, со што може да се извиткаат жиците. Со тоа може предвремено да се искршат.

Поврзување со јаже (лента за прицврстување)

▲Посебни безбедносни предупредувања за користење на висина
Прочитајте ги сите безбедносни предупредувања и упатства. Ако не се почитуваат предупредувањата и упатствата, може да дојде до сериозни повреди.

1. Секогаш држете го алатот прицврстен кога работите „на висина“. Максимална должина на јажеото е 2 м. Максималната дозволена висина на пад на јажеото (лентата за прицврстување) не смее да надмине 2 м.
2. Користете само јажиња што се соодветни за овој тип алат и проценети за најмалку 4,0 кг.
3. Не зацврстувајте го јажеото од алатот со ниту еден дел на телото или на подвижните компоненти. Зацврстете го јажеото од алатот на цврста структура што може да ги издржи силите на паднатиот алат.
4. Пред употреба, проверете дали јажеото е правилно затегнато на секој крај.
5. Пред секоја употреба, проверете дали алатот има оштетувања и дали функционира правилно (вклучувајќи ги платното и шевовите). Не користете ако е оштетен или ако не функционира правилно. Алатот мора да се замени особено ако се појави пукнатина или црвена линија околу отворот за јажеото.
6. Не виткајте ги јажињата ниту дозволувајте да дојдат во допир со остри или груби рабови.

7. Зацврстете го другиот крај од јажеото надвор од работниот простор, така што алатот што паѓа ќе биде добро прицврстен.
8. Прикачете го јажеото, така што алатот ќе се оддалечи од операторот ако падне. Паднатите алати ќе се нишаат на јажеото, што може да предизвика повреда или губење на рамнотежата.
9. Не користете го во близина на подвижни делови или машинерија што работи. Во спротивно, тоа може да резултира со опасност од кршење или заплеткување.
10. Не носете го алатот со додадениот уред или јажеото.
11. Пренесувајте го алатот само со рацете додека држите соодветна рамнотежа.
12. Не прикачувајте ги јажињата на алатот на начин што ќе ги спречи штитниците, прекинувачите или одблокирањата да работат правилно.
13. Избегнувајте заглавување во јажеото.
14. Држете го јажеото настрана од областа каде што се сече со алатот.
15. Користете прицврстувач за заклучување (тип со повеќе дејства и порта на шрафот). Не користете прицврстувачи со едно дејство со клипови со пружини.
16. Во случај кога алатот ќе падне, тој мора да се означи и да се отстрани од работа и треба да го провери фабричкиот или овластениот сервисен центар на Makita.
17. Прикачувајте го јажеото само со карабинер за заклучување. Не прикачувајте го јажеото со правење јамки или јазли на него. Не користете сајли или кабли.

► Сл.20: 1. Отвор за јажеото (лентата за прицврстување)

ОДРЖУВАЊЕ

▲ВНИМАНИЕ: Пред секоја проверка или одржување, проверете дали алатот е исклучен и откачен од струја.

ЗАБЕЛЕШКА: За чистење, не користете нафта, бензин, разредувач, алкохол или слично. Тие средства ја вадат бојата и може да предизвикаат деформации или пукнатини.

За да се одржи БЕЗБЕДНОСТА и СИГУРНОСТА на производот, поправките, одржувањата или дотерувањата треба да се вршат во овластени сервисни или фабрички центри на Makita, секогаш со резервни делови од Makita.

Чистење на отворите за воздух

Алатот и отворите за воздух треба да се одржуваат чисти. Редовно чистете ги отворите за воздух на алатот или секогаш кога ќе се извалкаат.

► Сл.21: 1. Отвор за испуштање воздух 2. Отвор за вшмукување воздух

ОПЦИОНАЛЕН ПРИБОР

⚠ ВНИМАНИЕ: Овој прибор или додатоци се препорачуваат за користење со алатот од Makita дефиниран во упатството. Со користење друг прибор или додатоци може да се изложите на ризик од телесни повреди. Користете ги приборот и додатоците само за нивната назначена намена.

Ако ви треба помош за повеќе детали за приборот, прашајте во локалниот сервисен центар на Makita.

► Сл.22

-	Модел од 100 мм	Модел од 115 мм	Модел од 125 мм
1	Страничен држач		
2	Штитник за тркало (за брусно тркало)		
3	Внатрешна фланша	Внатрешна фланша/супер фланша	
4	Тркало со вдлабната средина/повеќеделен диск		
5	Навртка за стегање		
6	Подлошка		
7	Флекси-тркало		
8	Гумена подлошка 76	Гумена подлошка 100	Гумена подлошка 115
9	Абразивен диск		
10	Навртка за шмирглање		
11	Кружна жичена четка		
12	Испакната жичена четка		
13	Штитник за тркало (за тркало за сечење) *1		
14	Тркало за абразивно сечење/дијамантско тркало		
-	Клуч за стегање		
-	Прикачен капак за прашина		

НАПОМЕНА: *1 При употребата на дијамантско тркало во некои европски земји, може да се користи обичен штитник наместо специјален кој ги покрива двете страни на тркалото. Почитувајте ги прописите во земјата.

НАПОМЕНА: Некои ставки на листата може да се вклучени со алатот како стандарден прибор. Тие може да се разликуваат од држава до држава.

ТЕХНИЧКИ ПОДАЦИ

Модел:	GA4050	GA4050R	GA4550	GA4550R	GA5050	GA5050R
Пречник плоче	100 мм (4")		115 мм (4-1/2")		125 мм (5")	
Макс. дебелина плоче	6,4 мм (1/4")		7,2 мм (9/32")			
Навој вретена	M10		M14 или 5/8"			
Номинална брзина (н)	11.000 мин ⁻¹					
Укупна дужина	325 мм					
Нето тежина	2,3 – 2,6 кг		2,4 – 2,8 кг		2,5 – 2,8 кг	
Заштитна класа	□/II					

- Због нашег непрестаног истраживања и развоја задржавамо право измена наведених спецификација без претходне најаве.
- Спецификације могу да се разликују у различитим земљама.
- Тежина може да се разликује у зависности од наставака. Најлакша и најтежа комбинација, према процедури ЕПТА 01/2014, приказане су у табели.

Намена

Овај алат је намењен за брушење, полирање и резање метала и камена без употребе воде.

Мрежно напајање

Алат сме да се прикључи само на монофазни извор мрежног наизменичног напајања који одговара подацима са натписне плочице. Алати су двоструко заштитно изоловани, па могу да се прикључе и на мрежне утичнице без уземљења.

Бука

Типичан А-пондерисани ниво буке одређен је према стандарду EN60745-2-3:

Модел	Ниво звучног притиска (L_{pA}): (dB (A))	Ниво звучне снаге (L_{WA}): (dB (A))	Несигурност (K): (dB (A))
GA4050	91	102	3
GA4050R	91	102	3
GA4550	91	102	3
GA4550R	91	102	3
GA5050	91	102	3
GA5050R	91	102	3

НАПОМЕНА: Декларисане вредности емисије буке су измерене према стандардизованом мерном поступку и могу се користити за упоређивање алата.

НАПОМЕНА: Декларисана вредност емисије буке се такође може користити за прелиминарну процену изложености.

▲УПОЗОРЕЊЕ: Носите заштитне слушалице.

▲УПОЗОРЕЊЕ: Емисије буке током стварне примене електричног алата могу се разликовати од декларисане вредности у зависности од начина на који се користи алат, а посебно која врста предмета се обрађује.

▲УПОЗОРЕЊЕ: Уверите се да сте идентификовали безбедносне мере за заштиту руковаоца које су засноване на процени изложености у стварним условима употребе (узимајући у обзир све делове радног циклуса, као што је време рада уређаја, али и време када је алат искључен и када ради у празном ходу).

Вибрације

Укупна вредност вибрација (векторски збир по три осе) одређена је према стандарду EN60745-2-3:

Режим рада: брушење површине помоћу стандардног бочног рукохвата (дршке)

Модел	Вредност емисије вибрација ($a_{hv, AG}$) : (m/c^2)	Несигурност (K): (m/c^2)
GA4050	6,5	1,5
GA4050R	6,5	1,5
GA4550	7,0	1,5
GA4550R	7,0	1,5
GA5050	7,5	1,5
GA5050R	7,5	1,5

Режим рада: брушење површине помоћу антивибрационог бочног рукохвата (дршке)

Модел	Вредност емисије вибрација ($a_{hv, AG}$) : (m/c^2)	Несигурност (K): (m/c^2)
GA4050	5,5	1,5
GA4050R	5,5	1,5
GA4550	7,0	1,5
GA4550R	7,0	1,5
GA5050	8,5	1,5
GA5050R	8,5	1,5

Режим рада: брушење диском помоћу стандардног бочног рукохвата

Модел	Вредност емисије вибрација ($a_{hv, AG}$) : (m/c^2)	Несигурност (K): (m/c^2)
GA4050	2,5 m/c^2 или мања	1,5
GA4050R	2,5 m/c^2 или мања	1,5
GA4550	2,5	1,5
GA4550R	2,5	1,5
GA5050	2,5 m/c^2 или мања	1,5
GA5050R	2,5 m/c^2 или мања	1,5

Режим рада: брушење диском помоћу антивибрационог бочног рукохвата

Модел	Вредност емисије вибрација ($a_{hv, AG}$) : (m/c^2)	Несигурност (K): (m/c^2)
GA4050	2,5 m/c^2 или мања	1,5
GA4050R	2,5 m/c^2 или мања	1,5
GA4550	2,5 m/c^2 или мања	1,5
GA4550R	2,5 m/c^2 или мања	1,5
GA5050	2,5 m/c^2 или мања	1,5
GA5050R	2,5 m/c^2 или мања	1,5

НАПОМЕНА: Декларисане укупне вредности вибрација су измерене према стандардизованом мерном поступку и могу се користити за упоређивање алата.

НАПОМЕНА: Декларисане укупне вредности вибрација се такође могу користити за прелиминарну процену изложености.

▲УПОЗОРЕЊЕ: Вредност емисије вибрација током стварне примене електричног алата може се разликовати од декларисане вредности у зависности од начина на који се користи алат, а посебно која врста предмета се обрађује.

▲УПОЗОРЕЊЕ: Уверите се да сте идентификовали безбедносне мере за заштиту руковаоца које су засноване на процени изложености у стварним условима употребе (узимајући у обзир све делове радног циклуса, као што је време рада уређаја, али и време када је алат искључен и када ради у празном ходу).

▲УПОЗОРЕЊЕ: Декларисана вредност емисије вибрација важи за главне примене електричног алата. Међутим, ако се електрични алат користи за друге примене, вредност емисије вибрација се може разликовати.

ЕЗ декларација о усаглашености

Само за европске земље

ЕЗ декларација о усаглашености део је Додатка А у овом приручнику са упутствима.

БЕЗБЕДНОСНА УПОЗОРЕЊА

Општа безбедносна упозорења за електричне алате

▲ УПОЗОРЕЊЕ: Прочитајте сва безбедносна упозорења, упутства, илустрације и спецификације које су испоручене уз овај електрични алат. Непοштовање свих доле наведених безбедносних упутстава може изазвати електрични удар, пожар и/или озбиљну повреду.

Сачувајте сва упозорења и упутства за будуће потребе.

Термин „електрични алат“ у упозорењима односи се на електрични алат који се напаја из електричне мреже (каблом) или батерије (без кабла).

Безбедносна упозорења за брушење

Безбедносна упозорења која се односе на брушење, полирање, четкање жичаном четком или абразивно одсецање:

- Овај електрични алат је предвиђен да функционише као алат за брушење, глачање, четкање и одсецање. Прочитајте сва безбедносна упозорења, упутства, илустрације и спецификације које су испоручене уз овај електрични алат.** Непοштовање свих доле наведених безбедносних упутстава може изазвати електрични удар, пожар и/или озбиљну повреду.
- Овај електрични алат се не препоручује за обављање радова као што је полирање.** Обављање радова за које електрични алат није намењен може изазвати опасности и телесне повреде.
- Не користите прибор који није специјално пројектован и препоручен од стране произвођача алата.** Ако неки прибор може да се прикључи на ваш електрични алат, то не значи да осигурава безбедан рад.
- Номинална брзина прибора мора да буде најмање једнака максималној брзини означеној на електричном алату.** Прибори који се крећу брже од њихове номиналне брзине могу да се сломају и разлете у комадићима.

- Спољни пречник и дебљина прибора морају да одговарају номиналном капацитету вашег електричног алата.** Додатни прибори неправилне величине не могу се адекватно заштитити или контролисати.
- Монтирање прибора са навојем мора да се поклапа са навојем вретена брусилице.** За прибор монтиран помоћу прирубница, прикључни отвор додатног прибора мора да одговара пречнику површине прирубнице. Додатни прибор који не одговара монтажном делу електричног алата биће избачен из равнотеже, јако ће вибрирати и може да доведе до губитка контроле.
- Не користите оштећени додатни прибор.** Пре сваке употребе преконтролишите додатни прибор, на пример, брусне плоче на листање и напрслине, подматче на напрслине, хабање или претерано трошење, жичану четку на лабаве или напрсле чекиње. Ако електрични алат или прибор падну, проверите да ли су оштећени или инсталирајте неоштећени прибор. Пошто преконтролишете и инсталирате прибор, присутни посматрачи и ви сами треба да се склоните од равни ротирајућег прибора, а електрични алат прво пустите да ради са максималном брзином празног хода око један минут. Оштећени прибор би се обично поломио током овог времена тестирања.
- Носите заштитну опрему. У зависности од примене, користите штитник за лице, заштитну маску или заштитне наочаре.** Ако је потребно, носите маску за заштиту од праšине, штитнике за слух, рукавице и радну кецељу која може да заустави мале абразивне честице или делиће предмета обраде. Заштита за очи мора да буде у стању да заустави летеће опилке који се стварају при разним операцијама. Маска за праšину или респиратор морају да буду у стању да филтрирају честице које се стварају док радите. Дуже излагање високом нивоу буке може довести до губитка слуха.
- Удаљите посматраче на безбедну удаљеност од радног подручја. Свако ко улази у радно подручје мора да носи личну заштитну опрему.** Делићи предмета обраде или поломљеног прибора могу се одбацити и изазвати повреду и изван непосредног радног подручја.
- Електрични алат држите искључиво за изоловане руковате када обављате радове при којима постоји могућност да резни прибор додирне скривене водове или пресеке сопствени кабл.** Резни прибор који додирне струјни кабл може да стави под напон изложене металне делове електричног алата и изложи руковаоца струјном удару.
- Кабл поставите далеко од ротирајућег прибора.** Ако изгубите контролу, може доћи до пресецања или заплитања кабла, а ваша шака или рука може бити повучена на ротирајући прибор.

12. **Никад не одлажите електрични алат док се прибор потпуно не заустави.** Ротирајући прибор може да се укола у површину и избади електрични алат из ваше контроле.
13. **Немојте да укључујете електрични алат док га носите поред тела.** Случајан додир са ротирајућим прибором може да захвати вашу одећу и повуче прибор према вашем телу.
14. **Редовно чистите вентилационе отворе електричног алата.** Мотор-вентилатор ће увлачити прашину у кућиште, а превелико нагомилавање металне прашине може изазвати електричне опасности.
15. **Не укључујте електрични алат близу запаљивих материјала.** Варнице би могле да упале такве материјале.
16. **Немојте да користите прибор за који је потребна расхладна течност.** Употреба воде или других расхладних течности може довести до електричног удара.

Повратни удар и повезана упозорења

Повратни удар представља изненадну реакцију која се јавља када се ротирајућа плоча, подметач, четка или други прибор укљеште или укопају. Укљештење или уковање изазива брзо блокирање ротирајућег прибора који са своје стране доводи до принудног неконтролисаног кретања алата у смеру супротном од смера ротације прибора у тренутку укљештења. На пример, ако се брусна плоча укопа или укљешти у предмет обраде, ивица плоче која улази у тачку укљештења може да зарони у површину материјала изазивајући извлачење или одскакање плоче. Плоча може да одскочи или ка руковаоцу или од њега, што зависи од смера кретања плоче у тренутку укљештења. Под таквим условима, може доћи до лома брусних плоча.

Повратни удар је резултат неправилног коришћења електричног алата и/или неправилних радних поступака или услова и може се избегнути предузимањем одговарајућих мера опреза које су наведене у наставку.

1. **Чврсто држите алат, а тело и руку поставите тако да може издржати силе повратног удара.** Увек користите помоћну дршку, ако постоји, ради максималне контроле над повратним ударом или реакције на обртни момент при покретању. Руковалац може да контролише силе реакције на обртни момент или силе повратног удара ако предузме одговарајуће мере опреза.
2. **Никада не стављајте руку близу ротирајућег прибора.** Прибор може да направи повратни удар преко ваше руке.
3. **Не заузимајте положај у подручју кретања електричног алата у случају повратног удара.** Повратни удар ће принудити алат да се креће у смеру који је супротан од смера кретања плоче у тренутку укљештења.
4. **Будите нарочито пажљиви када обрађујете углове, оштре ивице итд. Избегавајте одскакање и уковање прибора.** Углови, оштре ивице или одскакање имају тенденцију уковања ротирајућег прибора и могу да изазову губљење контроле или повратни удар.

5. **Немојте прикључивати лист тестере за резање дрвета или других материјала.** Такве тестере често стварају повратни удар и доводе до губитка контроле.

Безбедносна упозорења за операције брушења и абразивног одсецања:

1. **Користите само оне типове плоча који се препоручују за ваш електрични алат и специјалне штитнике за изабрану плочу.** Плоче за које електрични алат није дизајниран не могу се адекватно заштитити и нису безбедне.
2. **Брусна површина коленастих брусних плоча мора да буде монтирана испод равни ивице штитника.** Неисправно монтирана плоча која прелази преко равни ивице штитника не може да буде адекватно заштићена.
3. **Штитник мора да буде чврсто причвршћен на електрични алат и постављен тако да обезбеди максималну безбедност, што значи да ће плоча бити минимално изложена на страни руковаоца.** Штитник помаже да се руковалац заштити од делова поломљене плоче, случајног додиривања плоче или варица што може упалити одећу.
4. **Плоче морају да се користе искључиво за предвиђену намену. На пример: немојте да брусите бочном страном диска за одсецање.** Брусне плоче за одсецање намењене су за периферно брушење пошто бочна сила примењена на ове плоче може да изазове њихово пуцање.
5. **За изабрану плочу увек користите неоштећене прирубнице за плоче, одговарајуће величине и облика.** Правилно изабране прирубнице за плоче подржавају плоче и смањују могућност да се расцепе. Прирубнице за дискове за одсецање могу се разликовати од прирубница за брусне плоче.
6. **Не користите истрошене плоче са већих електричних алата.** Плоча која је намењена за већи алат није подесна за веће брзине мањег алата и може се распрснути.

Додатна безбедносна упозорења за операције абразивног одсецања:

1. **Не „ометайте“ диск за одсецање и не примењујте превелики притисак. Не покушавајте да направите превише дубоки рез.** Пренапрезање плоче повећава оптерећење и склоност ка увртању и блокирању плоче у резу и могућности повратног удара или помљења плоче.
2. **Не заузимајте положај у линији са или иза ротирајуће плоче.** Када се у току рада плоча креће супротно од нашег тела, могући повратни удар може принудно усмерити ротирајућу плочу и електрични алат ка вама.
3. **Када се плоча блокира или ако се резање из неког разлога прекине, искључите алат и не померајте га док се плоча потпуно не заустави. Никада не покушавајте да уклоните диск за одсецање из реза док се плоча врти, јер то може изазвати повратни удар.** Проверите и предузмите корективне мере да бисте елиминисали разлог блокирања плоче.

4. Не започињите поново резање у предмету обраде. Пустите да плоча достигне пуну брзину и пажљиво поново уведите алат у рез. Плоча може да се блокира, издуже или прави повратни удар у случају да се струја укључи док се плоча налази у резу.
5. Подуприте плоче или било који предимензионирани предмет обраде да бисте опасност од укљештења и повратног удара свели на минимум. Велики предмети обраде имају тенденцију да се улежу под сопственом тежином. Средства за осигурање се морају поставити испод предмета обраде, у близини линије резања и у близини ивице предмета обраде, са обе стране плоче.
6. Будите посебно пажљиви када сечете „цепове“ у постојећим зидовима или на другом непрегледним местима. Плоча може исећи цевоводе за глин или воду, електричне каблове или предмете који могу изазвати повратни удар.
7. За брушење употребљавајте прописану површину плоче.
8. Немојте да остављате укључен алат. Алат укључите само када га држите рукама.
9. Немојте обраде не додирујте одмах после завршеног брушења, јер може да буде врло врућ и можете да се опечете.
10. Прибор не додирујте одмах после завршеног брушења, јер може да буде врло врућ и можете да се опечете.
11. Водите рачуна о упутству произвођача у вези са правилном монтажом и употребом брусних плоча. Плочама рукујте опрезно и опрезно их складиштите.
12. За прилагођавање брусних плоча са већим отвором не употребљавајте посебне редукиционе спојнице или адаптере.
13. Користите само прирубнице које су спецификацијом предвиђене за овај алат.
14. Код алата са навојним отвором плоче побрините се да дужина навоја на плочи одговара за прихватање дужине вретена.
15. Проверите да ли је предмет обраде правилно подупрт.
16. Водите рачуна о томе да се плоча окреће још извесно време после искључивања алата.
17. Ако је радно место веома вруће, влажно или пуно прашине која проводи електрицитет, прикључите апарат помоћу склопке за заштиту од кратког споја (30 mA) ради заштите руковаоца.
18. Алат не употребљавајте за обраду материјала који садрже азбест.
19. Када користите диск за одсецање, увек радите са штитником плоче за сакупљање прашине, што је предвиђено локалним прописима.
20. Резне плоче не смеју да буду изложене било каквом бочном притиску.
21. Немојте да користите платнене рукавице током рада. Влакна са платнених рукавица могу да доспеју у алат, што може да доведе до квара на алату.

Безбедносна упозорења за операције полирања брусним папиром:

1. Не користите предимензионисани брусни папир. Придржавајте се препорука произвођача при избору брусног папира. Већи брусни папир који штрич изван брусне плоче, представља опасност од цепања и може изазвати укопавање и кидање плоче или повратни удар.

Безбедносна упозорења за операције са жичаном четком:

1. Имајте на уму да чекиње четке отпадају и приликом нормалног четкања. Немојте да пренапрежете чекиње примењујући превелико оптерећење на четку. Жичане чекиње могу лако да продру у танку одећу и/или кожу.
2. Ако користите штитник који је препоручен за рад са жичаном четком, пазите да штитник не омета жичани диск или четку. Жичани диск или четка могу да повећају свој пречник због рада и центрифугалних сила.
3. Као коленасте брусне плоче увек употребљавајте само плоче појачане стакленим влакнима.
4. НИКАД НЕ КОРИСТИТЕ камена тоцила за рад ове бруснице. Ова брусница није пројектована за ову врсту плоча јер може доћи до тешких телесних повреда.
5. Немојте да оштећујете вретено, прирубницу (посебно монтажну површину) или сигурносне навртње. Оштећење тих делова може да проузрокује распадање брусне плоче.
6. Уверите се да плоча није у додиру са предметом обраде пре него што укључите прекидач.
7. Пре примене алата на стварном предмету обраде, пустите га да ради извесно време. Водите рачуна о вибрацијама или подрхтавању који су знак неправилне монтаже или неуравнотежене плоче.

Додатна безбедносна упозорења:

1. Као коленасте брусне плоче увек употребљавајте само плоче појачане стакленим влакнима.
2. НИКАД НЕ КОРИСТИТЕ камена тоцила за рад ове бруснице. Ова брусница није пројектована за ову врсту плоча јер може доћи до тешких телесних повреда.
3. Немојте да оштећујете вретено, прирубницу (посебно монтажну површину) или сигурносне навртње. Оштећење тих делова може да проузрокује распадање брусне плоче.
4. Уверите се да плоча није у додиру са предметом обраде пре него што укључите прекидач.
5. Пре примене алата на стварном предмету обраде, пустите га да ради извесно време. Водите рачуна о вибрацијама или подрхтавању који су знак неправилне монтаже или неуравнотежене плоче.

САЧУВАЈТЕ ОВО УПУТСТВО.

▲УПОЗОРЕЊЕ: НЕМОЈТЕ себи да дозволите да занемарите строга безбедносна правила која се односе на овај производ услед чињенице да сте производ добро упознали и стекли рутину у руковању њиме (услед честог коришћења). **НЕНАМЕНСКА УПОТРЕБА** или непоштовање безбедносних правила наведених у овом упутству могу довести до тешких телесних повреда.

ОПИС НАЧИНА ФУНКЦИОНИСАЊА

ПАЖЊА: Пре подешавања или провере функција алата увек проверите да ли је алат искључен и одвојен из електричне мреже.

Брава осовине

Притисните тастер за браву осовине да се осовина не би обртала када постављате или скидате додатну опрему.

► **Слика1:** 1. Брава осовине

ОБАВЕШТЕЊЕ: Немојте да активирате браву осовине када се осовина окреће. Може доћи до оштећења алата.

Функционисање прекидача

ПАЖЊА: Пре прикључивања алата на мрежу увек проверите да ли прекидач ради правилно и да ли се враћа у положај „OFF“ (искључивање) пошто га пустите.

ПАЖЊА: Немојте на силу вући полуку прекидача а да нисте притиснули дугме за ослобађање из блокираног положаја. Прекидач се може сломити.

Да не би дошло до случајног повлачења полуке прекидача, обезбеђена је полуга за закључавање. Да бисте покренули алат, повуците полуку за закључавање према руковаоцу, а затим повуците полуку прекидача. Отпустите полуку прекидача да бисте зауставили алат.

► **Слика2:** 1. Полуга за закључавање 2. Полуга прекидача

Отпорно на случајно поновно покретање

Само за модел GA4050R / GA4550R / GA5050R

Алат се неће покренути док повлачите полуку прекидача, чак и када се прикључи на напајање. Да бисте покренули алат, најпре отпустите полуку прекидача. Затим повуците полуку за закључавање, а потом и полуку прекидача.

НАПОМЕНА: Ако функционише прекид ненамерног поновног покретања, сачекајте најмање једну секунду пре него што поновно покренете алат.

Функција лаганог старта

Само за модел GA4050R / GA4550R / GA5050R

Функција лаганог старта смањује почетну реакцију.

СКЛАПАЊЕ

ПАЖЊА: Пре извођења радова на алату увек проверите да ли је искључен и да ли је утикач извучен из утичице.

Монтажа бочног рукохвата (дршке)

ПАЖЊА: Пре употребе се побрините да бочни рукохват буде правилно монтиран.

Бочни рукохват чврсто притегните на алат у положају приказаном на слици.

► **Слика3**

Постављање или скидање штитника плоче

УПОЗОРЕЊЕ: Када се користи коленаста брусна плоча / преклопни диск, еластична плоча или обртна жичана четка, штитник плоче треба причврстити на алат тако да страна са штитником плоче буде увек усмерена према руковаоцу алата.

УПОЗОРЕЊЕ: Уверите се да је штитник плоче сигурно закључан ручицом за закључавање у неком од отвора на штитнику плоче.

УПОЗОРЕЊЕ: Када се користи брусна плоча за одсецање / дијамантска плоча, обавезно користите искључиво специјални штитник плоче пројектован за коришћење са брусним дискovima за одсецање.

(У појединим европским земљама се може користити обичан штитник за рад са дијамантском плочом. Придржавајте се прописа у вашој земљи.)

За коленасте брусне плоче, преклопни диск, еластичне плоче, обртне жичане четке / брусни диск за одсецање, дијамантске плоче

1. Док гурате ручицу за закључавање, поставите штитник плоче тако да испупчења на њему буду поравната са резима на кућишту лежаја.

► **Слика4:** 1. Ручица за закључавање 2. Рез 3. Испупчење

2. Док гурате полуку за закључавање према А, притисните делове Б на штитнику плоче као што је приказано на слици.

► **Слика5:** 1. Штитник плоче 2. Отвор

НАПОМЕНА: Притисните штитник плоче директно надоле. У супротном нећете моћи да притиснете штитник плоче до краја.

3. Док гурате полуку за закључавање, окрећите штитник плоче према Ц, а затим промените угао штитника плоче у складу са послом тако да руковалац може да буде заштићен. Поравнајте полуку за закључавање са неким од отвора на штитнику плоче, а затим отпустите полуку за закључавање да бисте закључали штитник плоче.

► **Слика6:** 1. Штитник плоче 2. Отвор

Да бисте скинули штитник плоче, примените обрнути редослед.

Постављање или скидање коленасте брусне плоче / преклопног диска

Опциони додатни прибор

▲УПОЗОРЕЊЕ: Када се користи коленаста брусна плоча или преклопни диск, штитник плоче треба причврстити на алат тако да страна са штитником буде увек усмерена према руковаоцу.

▲ПАЖЊА: Уверите се да се део за постављање унутрашње прирубнице савршено уклапа у унутрашњи пречник коленасте брусне плоче / преклопног диска. Постављање унутрашње прирубнице на погрешну страну може да доведе до опасних вибрација.

Унутрашњу прирубницу поставите на осовину. Уверите се да је назубљени део унутрашње прирубнице налегао на прави део на дну осовине. Коленасту брусну плочу / преклопни диск навуците на унутрашњу прирубницу и заврните сигурносни навртањ на осовину.

► **Слика7:** 1. Сигурносни навртањ 2. Коленаста брусна плоча 3. Унутрашња прирубница 4. Део за постављање

Да бисте притегли сигурносни навртањ, снажно притисните браву осовине тако да осовина не може да се окреће, а затим кључем чврсто притегните сигурносни навртањ у смеру казаљке на сату.

► **Слика8:** 1. Кључ за сигурносни навртањ 2. Брава осовине

Да бисте скинули брусну плочу, примените обрнути редослед.

Постављање или скидање еластичне плоче

Опциони додатни прибор

▲УПОЗОРЕЊЕ: Увек користите испоручени штитник када је еластична плоча на алату. Плоча се може сломити током употребе, а штитник помаже тако што смањује шансе да дође до повреде.

► **Слика9:** 1. Сигурносни навртањ 2. Еластична плоча 3. Подметач 4. Унутрашња прирубница

Пратите упутства за коленасту брусну плочу, али на плочи користите и подметач. Погледајте редослед склапања на страници са додатним прибором у овом приручнику.

Монтирање и уклањање брусног диска

Опциони додатни прибор

За модел од 100 мм (4")

► **Слика10:** 1. Сигурносни навртањ за полирање 2. Брусни диск 3. Гумена подлошка 4. Унутрашња прирубница

1. Унутрашњу прирубницу поставите на осовину.
2. Гумену подлошку поставите на осовину.
3. Поставите диск на гумену подлошку и заврните сигурносни навртањ за полирање на осовину.
4. Држите осовину уз помоћ браве осовине и помоћу кључа за сигурносни навртањ добро затегните навртањ за закључавање шмиргле у смеру казаљке на сату.

За модел од 115 мм (4–1/2") / 125 мм (5")

► **Слика11:** 1. Сигурносни навртањ за полирање 2. Брусни диск 3. Гумена подлошка

1. Гумену подлошку поставите на осовину.
2. Поставите диск на гумену подлошку и заврните сигурносни навртањ за полирање на осовину.
3. Држите осовину уз помоћ браве осовине и помоћу кључа за сигурносни навртањ добро затегните навртањ за закључавање шмиргле у смеру казаљке на сату.

Да бисте скинули диск, примените обрнути редослед.

НАПОМЕНА: Употребљавајте само брусни прибор наведен у овом упутству. Морате га засебно купити.

РАД

▲УПОЗОРЕЊЕ: Током рада никада не употребљавајте силу. Сама тежина алата обезбеђује довољан притисак. У случају претераног притиска постоји опасност да се плоча распадне.

▲УПОЗОРЕЊЕ: Брусну плочу УВЕК замените ако се алат током брушења срушио.

▲УПОЗОРЕЊЕ: Брусна плоча НИКАДА не сме да удари о предмет обраде.

▲УПОЗОРЕЊЕ: Водите рачуна да брусна плоча не одскочи или да се не окрњи, нарочито приликом обраде углова, оштрих ивица итд. То би могло да изазове губитак контроле и повратни ударац.

▲УПОЗОРЕЊЕ: Алат НИКАДА не употребљавајте са листовима тестере за резање дрвета и другим листовима тестере. Ако се употребе на брусници, такви листови тестере изазивају честе повратне ударце и губитак контроле, што може да доведе до повреда.

▲УПОЗОРЕЊЕ: Коришћење истрошене плоче може довести до експлозије плоче и озбиљних телесних повреда.

▲ПАЖЊА: Никада немојте да укључујете алат када је у контакту са предметом обраде, јер може доћи до повреде руковаоца.

▲ПАЖЊА: Увек носите заштитне наочаре или штитник за лице током рада.

▲ПАЖЊА: По завршетку рада увек искључите алат и пре одлагања алата сачекајте да се брусна плоча потпуно заустави.

▲ПАЖЊА: Алат УВЕК чврсто држите једном руком за кућиште, а другом за бочни рукохват (дршку).

Рад са плочом/диском

► Слика12

Укључите алат, а затим ставите плочу или диск на предмет обраде.

Обично ивицу плоче или диска треба држати под углом од отприлике 15° у односу на површину предмета обраде.

Током периода уходавања са новом плочом, немојте да усмераваате брусилуцу унапред, пошто ће засећи предмет обраде. Када се ивица плоче услед употребе заобли, плочу можете да употребљавате у оба правца – унапред и уназад.

Рад са брусном плочом за одсецање / дијамантском плочом

Опциони додатни прибор

▲УПОЗОРЕЊЕ: Када се користи брусна плоча за одсецање / дијамантска плоча, обавезно користите искључиво специјални штитник плоче пројектован за коришћење са брусним дисковима за одсецање.

(У појединим европским земљама се може користити обичан штитник за рад са дијамантском плочом. Придржавајте се прописа у вашој земљи.)

▲УПОЗОРЕЊЕ: НИКАДА не користите брусни диск за одсецање за радове на бочном брушењу.

▲УПОЗОРЕЊЕ: Не „ометајте“ плочу и не примењујте превелики притисак. Не покушавајте да направите превише дубоки рез. Пренапрезање плоче повећава оптерећење и склоност ка увртању и блокирању плоче у резу и могућност повратног удара, ломљења плоче и прегревања мотора.

▲УПОЗОРЕЊЕ: Не започињите резање у предмету обраде. Пустите да плоча достигне пуну брзину и пажљиво уведите алат у рез померајући алат унапред преко површине предмета обраде. Плоча може да се блокира, издиже или прави повратни удар у случају да дође до укључивања струје док се плоча налази у резу.

▲УПОЗОРЕЊЕ: Никад не мењајте угао нагиба плоче током резања. Бочни притисак на диск за одсецање (као код брушења) доведиће до проскања и ломљења диска, што може проузроковати озбиљне повреде.

▲УПОЗОРЕЊЕ: Дијамантску плочу треба употребљавати под правим углом у односу на материјал који се сече.

► **Слика13:** 1. Сигурносни навртањ 2. Брусна плоча за одсецање / дијамантска плоча 3. Унутрашња прирубница 4. Штитник плоче за брусну плочу за одсецање / дијамантску плочу

За монтажу пратите упутство за коленасту брусну плочу. Смер монтаже сигурносног навртања и унутрашње прирубнице зависи од типа и дебљине плоче. Погледајте следеће слике.

За модел од 100 мм (4")

Приликом постављања брусне плоче за одсецање:

► **Слика14:** 1. Сигурносни навртањ 2. Брусна плоча за одсецање (тања од 4 мм (5/32")) 3. Брусна плоча за одсецање (4 мм (5/32") или дебља) 4. Унутрашња прирубница

Приликом постављања дијамантске плоче:

► **Слика15:** 1. Сигурносни навртањ 2. Дијамантска плоча (тања од 4 мм (5/32")) 3. Дијамантска плоча (4 мм (5/32") или дебља) 4. Унутрашња прирубница

За модел од 115 мм (4–1/2") / 125 мм (5")

Приликом постављања брусне плоче за одсецање:

► **Слика16:** 1. Сигурносни навртањ 2. Брусна плоча за одсецање (тања од 4 мм (5/32")) 3. Брусна плоча за одсецање (4 мм (5/32") или дебља) 4. Унутрашња прирубница

Приликом постављања дијамантске плоче:

► **Слика17:** 1. Сигурносни навртањ 2. Дијамантска плоча (тања од 4 мм (5/32")) 3. Дијамантска плоча (4 мм (5/32") или дебља) 4. Унутрашња прирубница

Руковање жичаном четком у облику купе

Опциони додатни прибор

▲ПАЖЊА: Проверите функционисање четке радом у празном ходу, и то само када сте сигурни да никог нема испред или у линији са четком.

▲ПАЖЊА: Не употребљавајте четку која је оштећена или неуравнотежена. Ако користите оштећену четку, повећаће се опасност од повреде изазване сломљеним жицама са четке.

► **Слика18:** 1. Жичана четка у облику купе

Искључите алат из струје и поставите га наопако како бисте омогућили лак приступ осовини. Скините све додатке са осовине. Ставите жичану четку у облику купе на осовину и стегните је испорученим кључем.

ОБАВЕШТЕЊЕ: Немојте примењивати превелики притисак док користите четку, јер то изазива савијање жица. Може довести до превременог ломљења.

Руковање обртном жичаном четком

Опциони додатни прибор

ПАЖЊА: Проверите функционисање обртне жичане четке радом у празном ходу, и то само када сте сигурни да никог нема испред или у линији са четком.

ПАЖЊА: Не употребљавајте обртну жичану четку која је оштећена или неуравнотежена. Ако користите оштећену обртну жичану четку, повећаће се опасност од повреде изазване сломљеним жицама са четке.

ПАЖЊА: УВЕК користите штитник с обртним жичаним четкама, водећи рачуна да пречник плоче одговара штитнику. Плоча се може сломити током употребе, а штитник помаже тако што смањује шансе да дође до повреде.

► **Слика19:** 1. Обртна жичана четка

Искључите алат из струје и поставите га наопак како бисте омогућили лак приступ осовини. Скините све додатке са осовине. Заврните обртну жичану четку на осовину и стегните је кључем.

ОБАВЕШТЕЊЕ: Немојте примењивати превелики притисак док користите обртну жичану четку, јер то изазива савијање жица. Може довести до превременог ломљења.

Повезивање врпцом (траком за везивање)

Безбедносна упозорења за коришћење на висини
Прочитајте сва безбедносна упозорења и упутства. Непоштовање упозорења и упутстава може изазвати тешке телесне повреде.

1. Увек држите алат привезан када радите на висини. Максимална дужина врпце је 2 м. Максимална дозвољена висина пада за врпцу (трака за везивање) не сме да премаши 2 м.
2. Користите само врпце које су прикладне за овај тип алата и предвиђене за најмање 4,0 кг.
3. Не причвршћујте врпцу алата за себе нити за покретне компоненте. Причврстите врпцу алата за чврсту структуру која може да издржи силу коју алат производи када падне.
4. Уверите се да је врпца исправно причвршћена на оба краја пре коришћења.
5. Пре сваке употребе, уверите се да на алату и врпци не постоје оштећења и да исправно раде (укључујући тканину и шавове). Не користите их ако су оштећени или ако не раде исправно. Алатка мора да се поправи нарочито онда када се око отвора за врпци појави пукотина или црвена линија.
6. Немојте да обмотавате врпцу око оштрих или грубих ивица и не дозволите да дође у контакт са њима.

7. Причврстите други крај врпце ван радног поља тако да алат буде сигурно причвршћен у случају да падне.
8. Повежите врпцу тако да се алат помери даље од руковоаца у случају да падне. Испуштени алати се љуљају на врпци, што може да проузрокује повреде или губитак равнотеже.
9. Не користите у близини покретних делова или покретних машина. У супротном постоји опасност од ударца или петљања.
10. Не преносите алат држећи га за додатни уређај или врпцу.
11. Преносите алат држећи га обема рукама само ако можете да одржавате равнотежу.
12. Не повезујте врпцу за алат тако да спречава исправан рад штитника, прекидача или блокада алата.
13. Обратите пажњу да се не упетљате врпцом.
14. Држите врпцу даље од области резања алата.
15. Користите карабинер са закључавањем (вишенаменски или са опругом). Не користите једнонаменске карабинере са опругом.
16. У случају да испустите алат, он мора да се значи и повуче из употребе и морају да га прегледају фабрика Makita или овлашћени сервисни центар.
17. Врпцу постављајте само помоћу копче за закључавање. Немојте да постављате врпцу тако што ћете је везивати у петљу или чвор. Немојте да користите конопце нити каблове.

► **Слика20:** 1. Отвор за врпцу (траку за везивање)

ОДРЖАВАЊЕ

ПАЖЊА: Пре него што почнете с прегледом или одржавањем алата, проверите да ли је алат искључен, а утикач извучен из утичнице.

ОБАВЕШТЕЊЕ: Никад немојте да користите нафту, бензин, разређивач, алкохол и слична средства. Може доћи до губитка боје, деформације или оштећења.

БЕЗБЕДАН и ПОУЗДАН рад алата гарантујемо само ако поправке, свако друго одржавање или подешавање, препустите овлашћеном сервису компаније Makita или фабричком сервису, уз употребу оригиналних резервних делова компаније Makita.

Чишћење вентилационог отвора

Алат и вентилационе отворе увек одржавајте чистим. Вентилационе отворе чистите редовно или када почну да се зачепљују.

► **Слика21:** 1. Издувни отвор 2. Усисни отвор

ОПЦИОНИ ПРИБОР

⚠ ПАЗЊА: Ова опрема и прибор су предвиђени за употребу са алатом Makita описаним у овом упутству за употребу. Употреба друге опреме и прибора може да доведе до повреда. Користите делове прибора или опрему искључиво за предвиђену намену.

Да бисте добили више детаља у вези са овим прибором, обратите се локалном сервисном центру компаније Makita.

► Слика22

-	Модел од 100 мм (4")	Модел од 115 мм (4–1/2")	Модел од 125 мм (5")
1	Бочни рукохват		
2	Штитник плоче (за брусну плочу)		
3	Унутрашња прирубница	Унутрашња прирубница / надприрубница	
4	Коленаста брусна плоча / преклопни диск		
5	Сигурносни навртањ		
6	Подметач		
7	Еластична плоча		
8	Гумена подлошка 76	Гумена подлошка 100	Гумена подлошка 115
9	Брусни диск		
10	Сигурносни навртањ за полирање		
11	Обртна жичана четка		
12	Жичана четка у облику купе		
13	Штитник плоче (за диск за одсецање) *1		
14	Брусна плоча за одсецање / дијамантска плоча		
-	Кључ за сигурносни навртањ		
-	Додатак за заштиту од прашине		

НАПОМЕНА: *1 У неким европским земљама, када се користи дијамантска плоча, обични штитник може да се користи уместо специјалног штитника покривајући обе стране плоче. Придржавајте се прописа у вашој земљи.

НАПОМЕНА: Поједине ставке на листи могу бити укључене у садржај паковања алата као стандардна опрема. Оне се могу разликовати од земље до земље.

SPECIFICAȚII

Model:	GA4050	GA4050R	GA4550	GA4550R	GA5050	GA5050R
Diametrul discului	100 mm (4")		115 mm (4-1/2")		125 mm (5")	
Grosimea maximă a discului	6,4 mm (1/4")		7,2 mm (9/32")			
Filetul arborelui	M10		M14 sau 5/8"			
Turație nominală (n)	11.000 min ⁻¹					
Lungimea totală	325 mm					
Greutate netă	2,3 - 2,6 kg		2,4 - 2,8 kg		2,5 - 2,8 kg	
Clasa de siguranță	□/II					

- Datorită programului nostru continuu de cercetare și dezvoltare, specificațiile pot fi modificate fără o notificare prealabilă.
- Specificațiile pot varia în funcție de țară.
- Greutatea poate diferi în funcție de accesoriu(ii). În tabel se prezintă combinația cea mai ușoară și cea mai grea, conform Procedurii EPTA 01/2014.

Destinația de utilizare

Mașina este destinată polizării, șlefuirii și tăierii materialelor de metal și piatră fără utilizarea apei.

Sursă de alimentare

Mașina trebuie conectată numai la o sursă de alimentare cu curent alternativ monofazat, cu tensiunea egală cu cea indicată pe plăcuța de identificare a mașinii. Acestea au o izolație dublă și, drept urmare, pot fi utilizate de la prize fără împământare.

Zgomot

Nivelul de zgomot normal ponderat A determinat în conformitate cu EN60745-2-3:

Model	Nivel de presiune acustică (L _{pA}): (dB(A))	Nivel de putere acustică (L _{WA}): (dB(A))	Marjă de eroare (K): (dB(A))
GA4050	91	102	3
GA4050R	91	102	3
GA4550	91	102	3
GA4550R	91	102	3
GA5050	91	102	3
GA5050R	91	102	3

NOTĂ: Valoarea (valorile) totală(e) a (ale) emisiilor de zgomot declarate a(u) fost măsurată(e) în conformitate cu o metodă de test standard și poate (pot) fi utilizată(e) pentru compararea unei uneelte cu alta.

NOTĂ: Valoarea (valorile) totală(e) a (ale) emisiilor de zgomot declarate poate (pot) fi, de asemenea, utilizată(e) într-o evaluare preliminară a expunerii.

⚠️ AVERTIZARE: Purtați echipament de protecție pentru urechi.

⚠️ AVERTIZARE: Emisiile de zgomot în timpul utilizării efective a unelei electrice poate diferi de valoarea (valorile) nivelului declarat, în funcție de modul în care unealta este utilizată, în special ce fel de piesă este prelucrată.

⚠️ AVERTIZARE: Asigurați-vă că identificați măsurile de siguranță pentru a proteja operatorul, acestea fiind bazate pe o estimare a expunerii în condiții reale de utilizare (luând în considerare toate părțile ciclului de operare, precum timpii în care unealta a fost oprită, sau a funcționat în gol, pe lângă timpul de declanșare).

Vibrații

Valoarea totală a vibrațiilor (suma vectorilor tri-axiali) determinată conform EN60745-2-3:

Mod de lucru: rectificare plană cu mâner lateral normal

Model	Emisie de vibrații ($a_{h,AG}$) : (m/s^2)	Marjă de eroare (K): (m/s^2)
GA4050	6,5	1,5
GA4050R	6,5	1,5
GA4550	7,0	1,5
GA4550R	7,0	1,5
GA5050	7,5	1,5
GA5050R	7,5	1,5

Mod de lucru: rectificare plană cu mâner lateral contra vibrațiilor

Model	Emisie de vibrații ($a_{h,AG}$) : (m/s^2)	Marjă de eroare (K): (m/s^2)
GA4050	5,5	1,5
GA4050R	5,5	1,5
GA4550	7,0	1,5
GA4550R	7,0	1,5
GA5050	8,5	1,5
GA5050R	8,5	1,5

Mod de lucru: șlefuire cu disc cu mâner lateral normal

Model	Emisie de vibrații ($a_{h,AG}$) : (m/s^2)	Marjă de eroare (K): (m/s^2)
GA4050	2,5 m/s^2 sau mai puțin	1,5
GA4050R	2,5 m/s^2 sau mai puțin	1,5
GA4550	2,5	1,5
GA4550R	2,5	1,5
GA5050	2,5 m/s^2 sau mai puțin	1,5
GA5050R	2,5 m/s^2 sau mai puțin	1,5

Mod de lucru: șlefuire cu disc cu mâner lateral contra vibrațiilor

Model	Emisie de vibrații ($a_{h,AG}$) : (m/s^2)	Marjă de eroare (K): (m/s^2)
GA4050	2,5 m/s^2 sau mai puțin	1,5
GA4050R	2,5 m/s^2 sau mai puțin	1,5
GA4550	2,5 m/s^2 sau mai puțin	1,5
GA4550R	2,5 m/s^2 sau mai puțin	1,5
GA5050	2,5 m/s^2 sau mai puțin	1,5
GA5050R	2,5 m/s^2 sau mai puțin	1,5

NOTĂ: Valoarea (valorile) totală(e) a (ale) nivelului de vibrații declarat a (au) fost măsurată(e) în conformitate cu o metodă de test standard și poate (pot) fi utilizată(e) pentru compararea unei unelte cu alta.

NOTĂ: Valoarea (valorile) totală(e) a (ale) nivelului de vibrații declarat poate (pot) fi, de asemenea, utilizată(e) într-o evaluare preliminară a expunerii.

⚠️AVERTIZARE: Nivelul de vibrații în timpul utilizării efective a unelei electrice poate diferi de valoarea (valorile) nivelului declarat, în funcție de modul în care unealta este utilizată, în special ce fel de piesă este prelucrată.

⚠️AVERTIZARE: Asigurați-vă că identificați măsurile de siguranță pentru a proteja operatorul, acestea fiind bazate pe o estimare a expunerii în condiții reale de utilizare (luând în considerare toate părțile ciclului de operare, precum timpii în care unealta a fost oprită, sau a funcționat în gol, pe lângă timpul de declanșare).

⚠️AVERTIZARE: Nivelul de vibrații declarat este utilizat pentru aplicațiile principale ale mașinii electrice. Totuși, dacă mașina electrică este utilizată pentru alte aplicații, valoarea vibrațiilor emise poate fi diferită.

Declarație de conformitate CE

Numai pentru țările europene

Declarația de conformitate CE este inclusă ca Anexa A în acest manual de instrucțiuni.

AVERTIZĂRI DE SIGURANȚĂ

Avertismente generale de siguranță pentru mașinile electrice

⚠️ AVERTIZARE: Citiți toate avertismentele privind siguranța, instrucțiunile, ilustrațiile și specificațiile furnizate cu această sculă electrică. Nerespectarea integrală a instrucțiunilor de mai jos poate cauza electrocutări, incendii și/sau vătămări corporale grave.

Păstrați toate avertismentele și instrucțiunile pentru consultări ulterioare.

Termenul „mașină electrică” din avertisări se referă la mașinile dumneavoastră electrice acționate de la rețea (prin cablu) sau cu acumulator (fără cablu).

Avertismente privind siguranța pentru polizor

Avertismente privind siguranța comune operațiunilor de polizare, de șlefuire, periere sau operațiunilor de tăiere abrazivă:

- 1. Această sculă electrică este destinată să funcționeze ca polizor, șlefuitor, perie de sârmă sau mașină de tăiat. Citiți toate avertismentele privind siguranța, instrucțiunile, ilustrațiile și specificațiile furnizate cu această mașină electrică.** Nerespectarea integrală a instrucțiunilor de mai jos poate cauza electrocutări, incendii și/ sau vătămări corporale grave.
- 2. Nu este recomandată executarea operațiilor cum ar fi lustruirea cu această sculă electrică.** Operațiile pentru care această mașină electrică nu a fost concepută pot fi periculoase și pot provoca vătămări corporale.
- 3. Nu folosiți accesorii care nu sunt special concepuți și recomandați de producătorul mașinii.** Simplul fapt că accesoriul poate fi atașat la mașina dumneavoastră electrică nu asigură funcționarea în condiții de siguranță.
- 4. Turația nominală a accesoriului trebuie să fie cel puțin egală cu turația maximă indicată pe scula electrică.** Accesoriile utilizate la o turație superioară celei nominale se pot sparge și împrăști.
- 5. Diametrul exterior și grosimea accesoriului dumneavoastră trebuie să se înscrie în capacitatea nominală a sculei electrice.** Accesoriile de dimensiuni incorecte nu pot fi protejate sau controlate în mod corespunzător.

- 6. Montarea prin filetare a accesoriilor trebuie să corespundă arborelui filetat al polizorului.** Pentru accesorii montate prin flanșe, orificiul arborelui accesoriului trebuie să corespundă diametrului de localizare a flanșei. Accesoriile care nu se potrivesc cu unelele de montaj ale mașinii electrice vor funcționa dezechilibrat, vor vibra excesiv și pot cauza pierderea controlului.
- 7. Nu folosiți un accesoriu deteriorat.** Înaintea fiecărei utilizări inspectați accesoriile, cum ar fi roțile abrazive, în privința sfărâmăturilor și fisurilor, discurile de fixare în privința fisurilor, rupturii sau uzurii excesive, peria de sârmă în privința firelor slăbite sau plesnite. Dacă scăpați pe jos mașina sau accesoriul, inspectați-le cu privire la deteriorări sau instalați un accesoriu intact. După inspectarea și instalarea unui accesoriu, poziționați-vă împreună cu trecătorii la depărtare de planul accesoriului rotativ și porniți mașina electrică la viteza maximă de mers în gol timp de un minut. Accesoriile deteriorate se vor sparge în mod normal pe durata acestui test.
- 8. Purtați echipamentul individual de protecție.** În funcție de aplicație, folosiți o mască de protecție, ochelari de protecție sau viziere de protecție. Dacă este cazul, purtați o mască de protecție contra prafului, mijloace de protecție a auzului, mănuși și un șorț de lucru capabil să oprească fragmentele mici abrazive sau fragmentele piesei. Mijloacele de protecție a vederii trebuie să fie capabile să oprească resturile proiectate în aer generate la diverse operații. Masca de protecție contra prafului sau masca respiratorie trebuie să fie capabilă să filtreze particulele generate în timpul operației respective. Expunerea prelungită la zgomot foarte puternic poate provoca pierderea auzului.
- 9. Țineți trecătorii la o distanță sigură față de zona de lucru.** Orice persoană care pătrunde în zona de lucru trebuie să poarte echipament individual de protecție. Fragmentele piesei prelucrate sau ale unui accesoriu spart pot fi proiectate în jur cauzând vătămări corporale în zona imediat adiacentă zonei de lucru.
- 10. Țineți scula electrică doar pe suprafețele de prindere izolate atunci când executați o operație în care accesoriul de tăiere poate intra în contact cu cabluri ascunse sau cu propriul cablu.** Accesoriul de tăiere care intră în contact cu un fir aflat sub tensiune poate pune sub tensiune componentele metalice neizolate ale mașinii electrice și poate produce un șoc electric asupra operatorului.
- 11. Poziționați cablul la distanță de accesoriul aflat în rotație.** Dacă pierdeți controlul, cablul poate fi tăiat sau agățat și mâna sau brațul dumneavoastră pot fi trase în accesoriul aflat în rotație.
- 12. Nu așezați niciodată scula electrică înainte de oprirea completă a accesoriului.** Accesoriul aflat în rotație ar putea apăsa suprafața și trage de mașina electrică fără a o putea controla.
- 13. Nu lăsați scula electrică în funcțiune în timp ce o transportați lângă corpul dumneavoastră.** Contactul accidental cu accesoriul aflat în rotație vă poate agăța îmbrăcămintea, trăgând accesoriul spre corpul dumneavoastră.

14. **Curățați în mod regulat fantele de ventilație ale sculei electrice.** Ventilatorul motorului va aspira praful în interiorul carcasei, iar acumulările excesive de pulberi metalice pot prezenta pericol de electrocutare.
15. **Nu folosiți scula electrică în apropierea materialelor inflamabile.** Scânteile pot aprinde aceste materiale.
16. **Nu folosiți accesorii care necesită agenți de răcire lichizi.** Folosirea apei sau a lichidelor de răcire poate cauza electrocutări sau șocuri de tensiune.

Recul și avertismente asociate

Recul este o reacție bruscă la înțepenirea sau agățarea unui disc, unui taler suport, unei perii sau unui alt accesoriu aflat în rotație. Înțepenirea sau agățarea provoacă o oprire bruscă a accesoriului aflat în rotație, ceea ce forțează mașina scăpată de sub control în direcția opusă celei de rotație a accesoriului în punctul de contact. De exemplu, dacă o roată abrazivă se înțepeneste sau se agăță în piesa de prelucrat, muchia discului care pătrunde în punctul de blocare poate săpa în suprafața materialului cauzând urcarea sau proiectarea înapoi a discului. Discul poate sări către utilizator sau în partea opusă acestuia, în funcție de direcția de mișcare a discului în punctul de blocare. De asemenea, roțile abrazive se pot rupe în aceste condiții. Reculul este rezultatul utilizării incorecte a sculei electrice și/sau al procedurilor sau condițiilor de lucru necorespunzătoare, putând fi evitat prin adoptarea unor măsuri de precauție adecvate prezentate în continuare.

1. **Mențineți o priză fermă pe scula electrică și poziționați-vă corpul și brațele astfel încât să contracarați forțele de recul.** Folosiți întotdeauna mânerul auxiliar, dacă există, pentru a contracara în mod optim reculurile sau momentul de torsiune reactiv din faza de pornire. Utilizatorul poate contracara momentele de torsiune reactive sau forțele de recul, dacă își ia măsuri de precauție adecvate.
2. **Nu vă poziționați niciodată mâna în apropierea accesoriului aflat în rotație.** Accesoriul poate recula peste mâna dumneavoastră.
3. **Nu vă poziționați corpul în zona în care se va deplasa mașina electrică în cazul unui recul.** Reculul va împinge unealta în direcția opusă rotației discului în punctul de agățare.
4. **Procedați cu deosebită atenție atunci când prelucrați colțuri, muchii ascuțite etc.** Evitați agățările și salturile accesoriului. Colțurile, muchiile ascuțite sau salturile au tendința de a agăța accesoriul aflat în rotație și conduc la pierderea controlului sau apariția reculurilor.
5. **Nu atașați o pânză de ferăstrău cu lanț pentru scobirea lemnului sau o lamă de ferăstrău dințată.** Astfel de pânze pot crea reculuri frecvente și pierderea controlului.

Avertisment privind siguranța comune operațiunilor de polizare și tăiere abrazivă:

1. **Utilizați numai tipurile de discuri care sunt recomandate pentru scula dumneavoastră electrică și apărătorile specifice proiectate pentru discul selectat.** Discurile pentru care scula electrică nu a fost proiectată nu pot fi protejate adecvat și sunt nesigure.

2. **Suprafața de polizare a discurilor apăsată în centru trebuie să fie montată sub planul marginii apărătorii.** Un disc montat necorespunzător care iese prin planul marginii apărătoarei nu poate fi protejat în mod adecvat.
3. **Apărătoarea trebuie atașată ferm la scula electrică și poziționată pentru siguranță maximă, astfel cea mai mică porțiune a discului este expusă în direcția operatorului.** Apărătoarea ajută la protejarea operatorului de fragmentele discului spart, de contactul accidental cu discul și de scânteile care ar putea aprinde îmbrăcămintea.
4. **Discurile trebuie utilizate numai pentru aplicațiile recomandate. De exemplu: nu șlefuiți cu părțile laterale ale discului abraziv de retezat.** Discurile abrazive de retezat sunt create pentru șlefuire periferică, iar forțele aplicate pe părțile laterale ale discurilor pot cauza spargerea acestora.
5. **Folosiți întotdeauna flanșe de disc intacte, cu dimensiuni și formă adecvate pentru discul folosit.** Flanșele de disc adecvate susțin discul reducând astfel posibilitatea de rupere a acestuia. Flanșele pentru discurile abrazive de retezat pot fi diferite de flanșele discului pentru polizare.
6. **Nu folosiți discuri parțial uzate de la mașini electrice mai mari.** Discurile destinate unei scule electrice mai mari nu sunt adecvate pentru viteza mai mare a unei mașini mici și se pot sparge.

Avertismente suplimentare specifice privind siguranța operațiunilor de rețezare abrazivă:

1. **Nu „blocați” discul abraziv de retezat și nici nu aplicați o presiune excesivă. Nu încercați să executați o adâncime excesivă a tăieturii.** Supratensionarea discului mărește sarcina și susceptibilitatea de a torsiona sau a de a înțepeni discul în tăietură și posibilitatea de recul sau de spargere a discului.
2. **Nu vă poziționați corpul pe aceeași linie și în spatele discului aflat în rotație.** Atunci când discul, la punctul de operare, se mișcă departe de corpul dumneavoastră, reculul posibil poate împinge discul care se învâрте și scula electrică direct spre dumneavoastră.
3. **Atunci când discul este înțepenit sau când este întrerupt o tăiere din orice motiv, opriți scula electrică și țineți-o nemișcată până când discul se oprește complet. Nu încercați niciodată să scoateți discul abraziv de retezat din tăietură în timp ce discul este în mișcare; în caz contrar, poate apărea reculul.** Investigați și efectuați acțiunile corective pentru a elimina cauza înțepenirii discului.
4. **Nu reporniți operația de tăiere în piesa de prelucrat. Lăsați discul să ajungă la viteza maximă și pătrundeți din nou cu atenție în tăietură.** Roata se poate înțepeni, se poate deplasa în sus sau poate provoca un recul dacă mașina electrică este repornită în piesa de lucru.
5. **Sprîjiți panourile sau orice piesă de prelucrat de dimensiuni mari pentru a minimiza riscul de înțepenire și recul al discului.** Piese de prelucrat mari tind să se încovoieze sub propria greutate. Sub piesa de prelucrat trebuie amplasate suporturi lângă linia de tăiere și lângă marginea piesei de prelucrat, pe ambele părți ale discului.

6. **Acordați o atenție sporită atunci când executați o „decupare prin plonjare” în pereții existenți sau în alte zone mascate.** Discul poate tăia conducte de gaz sau de apă, cabluri electrice sau obiecte care pot provoca un recul.

Avertismente specifice privind siguranța operațiunilor de șlefuire:

1. **Nu utilizați hârtie de șlefuit supradimensionată excesiv pentru discul de șlefuire. Respectați recomandările producătorilor, atunci când selectați hârtia de șlefuit.** Hârtia de șlefuit prea mare extinsă în afara plăcii de șlefuire prezintă pericol de sfâșiere și poate cauza înțepenirea, sfâșierea discului sau reculul.

Avertismente specifice privind siguranța operațiunilor de periere:

1. **Țineți cont de faptul că firele de sârmă sunt aruncate de perie chiar și în timpul unei operațiuni obișnuite. Nu supratensionați firele prin aplicarea unei sarcini excesive periei.** Firele de sârmă pot penetra ușor îmbrăcămintea subțire și/sau pielea.
2. **Dacă se recomandă utilizarea unei protecții pentru periere, nu permiteți nicio interferență a discului sau periei din sârmă cu protecția.** Discul sau peria din sârmă își pot mări diametrul din cauza sarcinilor de lucru și a forțelor centrifugale.

Avertismente suplimentare privind siguranța:

1. **Atunci când folosiți discuri cu centru adâncit, asigurați-vă că folosiți numai discuri armate cu fibră de sticlă.**
2. **NU UTILIZAȚI NICIODATĂ discuri abrazive în formă de oală cu acest polizor.** Acest polizor nu este conceput pentru aceste tipuri de discuri, iar utilizarea unui astfel de produs poate duce la accidentări grave.
3. **Fiți atenți să nu deteriorați arborele, flanșa (în special suprafața de montaj) sau contrapiulița. Deteriorarea acestor piese poate conduce la ruperea discului.**
4. **Asigurați-vă că discul nu intră în contact cu piesa de prelucrat înainte de a apăsa comutatorul.**
5. **Înainte de utilizarea mașinii pe piesa propriu-zisă, lăsați-o să funcționeze în gol pentru un timp. Încercați să identificați orice vibrație sau oscilație care ar putea indica o instalare necorespunzătoare sau un disc neechilibrat.**
6. **Folosiți fața specificată a discului pentru a executa polizarea.**
7. **Nu lăsați mașina în funcțiune. Folosiți mașina numai când o țineți cu mâinile.**
8. **Nu atingeți piesa prelucrată imediat după executarea lucrării; aceasta poate fi extrem de fierbinte și poate provoca arsuri ale pielii.**
9. **Nu atingeți accesoriile imediat după executarea lucrării; acestea pot fi extrem de fierbinți și pot provoca arsuri ale pielii.**
10. **Respectați instrucțiunile producătorului cu privire la montarea și utilizarea corectă a discurilor. Manipulați și depozitați cu atenție discurile.**

11. **Nu folosiți reducții cu mufă sau adaptoare separate pentru a adapta roțile abrazive cu gaură mare.**
12. **Folosiți numai flanșele specificate pentru această mașină.**
13. **Pentru mașinile destinate a fi echipate cu disc cu gaură filetată, asigurați-vă că filetul discului este suficient de lung pentru lungimea arborelui.**
14. **Verificați ca piesa de prelucrat să fie sprijinită corect.**
15. **Rețineți că discul continuă să se rotească după oprirea mașinii.**
16. **Dacă locul de muncă este extrem de calduros și umed, sau foarte poluat cu pulbere conductoare, folosiți un întrerupător de scurt-circuitare (30 mA) pentru a asigura protecția utilizatorului.**
17. **Nu folosiți mașina pe materiale care conțin azbest.**
18. **Când folosiți discuri abrazive de retezat, lucrați întotdeauna cu apă și cu apă răcoroasă pentru a răcorosi suprafața de prelucrat și pentru a reduce zgomotul și vibrațiile. Folosiți apă răcoroasă și apă sărată pentru a răcorosi suprafața de prelucrat și pentru a reduce zgomotul și vibrațiile.**
19. **Discurile de retezat nu trebuie supuse niciunei presiuni laterale.**
20. **Nu purtați mănuși de lucru din pânză în timpul operației.** Fibrele din mănușile de pânză pot intra în mașină, ducând la blocarea mașinii.

PĂSTRAȚI ACESTE INSTRUCȚIUNI.

⚠️AVERTIZARE: NU permiteți comodității și familiarizării cu produsul (obținute prin utilizare repetată) să înlocuiască respectarea strictă a normelor de securitate pentru acest produs. FOLOSIREA INCORECTĂ sau nerespectarea normelor de securitate din acest manual de instrucțiuni poate provoca vătămări corporale grave.

DESCRIEREA FUNCȚIILOR

⚠ATENȚIE: Asigurați-vă că ați oprit mașina și că ați deconectat-o de la rețea înainte de a o regla sau de a verifica starea sa de funcționare.

Pârghie de blocare a axului

Apăsați pârghia de blocare a axului pentru a preveni rotirea arborelui atunci când montați sau demontați accesorii.

► **Fig.1:** 1. Pârghie de blocare a axului

NOTĂ: Nu acționați niciodată pârghia de blocare a axului în timpul mișcării arborelui. Mașina poate fi avariata.

Acționarea întrerupătorului

⚠ATENȚIE: Înainte de a conecta mașina la rețea, verificați dacă butonul declanșator funcționează corect și dacă revine la poziția „OFF” (oprit) atunci când este eliberat.

⚠ATENȚIE: Nu trageți puternic pârghia de comutare fără a apăsa butonul de deblocare. Comutatorul se poate rupe.

Pentru a preveni acționarea accidentală a pârghiei de comutare, este prevăzută o pârghie de deblocare. Pentru a porni mașina, trageți pârghia de deblocare către dumneavoastră și apoi trageți pârghia de comutare. Eliberați pârghia de comutare pentru a opri mașina.

► **Fig.2:** 1. Pârghie de deblocare 2. Pârghie de comutare

Protecția împotriva repornirii accidentale

Numai pentru modelele GA4050R / GA4550R / GA5050R

Mașina nu pornește în timp ce trageți pârghia de comutare chiar dacă este în priză. Pentru a porni mașina, eliberați mai întâi pârghia de comutare. Apoi trageți pârghia de deblocare, iar apoi trageți pârghia de comutare.

NOTĂ: Așteptați cel puțin o secundă înainte de a reporni mașina atunci când protecția împotriva repornirii accidentale este activă.

Funcție de pornire lentă

Numai pentru modelele GA4050R / GA4550R / GA5050R

Funcția de pornire lentă atenuază șocul de pornire.

ASAMBLARE

⚠ATENȚIE: Asigurați-vă că ați oprit mașina și că ați deconectat-o de la rețea înainte de a efectua vreo intervenție asupra mașinii.

Instalarea mânerului lateral (mâner)

⚠ATENȚIE: Asigurați-vă că mânerul lateral este bine fixat înainte de a pune mașina în funcțiune.

Înșurubați ferm mânerul lateral la mașină în poziția prezentată în figură.

► **Fig.3**

Montarea sau demontarea apărătorii discului

⚠AVERTIZARE: Atunci când utilizați un disc cu centru depresat, un disc lamelar, un disc flexibil sau o perie de disc din sârmă, apărătoarea discului trebuie montată pe mașină astfel încât partea închisă a apărătorii să fie întotdeauna orientată către operator.

⚠AVERTIZARE: Asigurați-vă că apărătoarea discului este fixată bine cu pârghia de blocare într-unul dintre orificiile apărătorii.

⚠AVERTIZARE: Atunci când utilizați un disc abraziv pentru retezat/disc de diamant, asigurați-vă că utilizați doar apărătoarele pentru disc proiectate special pentru a fi utilizate împreună cu discuri abrazive de retezat.

(În unele țări europene, la utilizarea unui disc de diamant, poate fi utilizată o apărătoare obișnuită. Respectați reglementările din țara dumneavoastră.)

Pentru disc cu centru depresat, disc lamelar, disc flexibil, perie de disc din sârmă/disc abraziv de retezat, disc de diamant

1. În timp ce apăsați pârghia de blocare, montați apărătoarea discului cu proeminențele de pe apărătoarea discului aliniată cu fantele de pe lagăr.

► **Fig.4:** 1. Pârghie de blocare 2. Fantă 3. Proeminență

2. În timp ce împingeți pârghia de blocare în direcția A, împingeți în jos părțile B ale apărătorii discului, astfel cum se arată în figură.

► **Fig.5:** 1. Apărătoarea discului 2. Orificiu

NOTĂ: Împingeți apărătoarea discului în jos, în poziție dreaptă. În caz contrar, nu veți putea împinge complet apărătoarea discului.

3. În timp ce împingeți pârghia de blocare, rotiți apărătoarea discului în direcția C și apoi schimbați unghiul apărătorii discului în funcție de lucrare, astfel încât operatorul să fie protejat. Aliniați pârghia de blocare cu unul dintre orificiile de pe apărătoarea discului și apoi eliberați pârghia de blocare pentru a bloca apărătoarea discului.

► **Fig.6:** 1. Apărătoarea discului 2. Orificiu

Pentru a scoate apărătoarea discului, executați în ordine inversă operațiile de instalare.

Montarea sau demontarea discului cu centru depresat sau discului lamelar

Accesorii opționale

⚠️ AVERTIZARE: Atunci când utilizați un disc cu centru depresat sau un disc lamelar, apărătoarea discului trebuie montată pe mașină astfel încât partea închisă a apărătorii să fie întotdeauna orientată către operator.

⚠️ ATENȚIE: Asigurați-vă că piesa de montare a flanșei interioare se potrivește perfect în diametrul interior al discului cu centru depresat/discului lamelar. Montarea flanșei interioare pe partea incorectă poate duce la vibrații periculoase.

Montați flanșa interioară pe arbore. Asigurați-vă că fixați partea crestată a flanșei interioare pe partea dreaptă de la baza arborelui.

Instalați discul cu centru depresat/discul lamelar pe flanșa interioară și înșurubați contrapiulița pe arbore.

► **Fig.7:** 1. Contrapiuliță 2. Disc cu centru depresat 3. Flanșă interioară 4. Piesă de montare

Pentru a strânge contrapiulița, apăsați puternic pârghia de blocare a axului astfel încât arborele să nu se poată roti, apoi folosiți cheia pentru contrapiuliță și strângeți ferm în sens orar.

► **Fig.8:** 1. Cheie pentru contrapiuliță 2. Pârghie de blocare a axului

Pentru a demonta discul, executați în ordine inversă operațiile de montare.

Montarea sau demontarea discului flexibil

Accesorii opționale

⚠️ AVERTIZARE: Utilizați întotdeauna apărătoarea furnizată când discul flexibil este montat pe mașină. Discul se poate sparge în timpul utilizării, iar apărătoarea ajută la reducerea riscului de vătămare.

► **Fig.9:** 1. Contrapiuliță 2. Disc flexibil 3. Taler suport 4. Flanșă interioară

Urmați instrucțiunile pentru discul cu centru depresat, dar utilizați, de asemenea, un taler de plastic peste disc. Consultați ordinea de asamblare la pagina de accesorii din acest manual.

Montarea sau demontarea discului abraziv

Accesorii opționale

Pentru modelul de 100 mm (4")

► **Fig.10:** 1. Contrapiuliță de presare 2. Disc abraziv 3. Taler de cauciuc 4. Flanșă interioară

1. Montați flanșa interioară pe arbore.
2. Montați talerul de cauciuc pe arbore.
3. Instalați discul pe talerul de cauciuc și înșurubați contrapiulița de presare pe arbore.
4. Fixați arborele cu pârghia de blocare a axului și strângeți fix contrapiulița de presare cu cheia pentru contrapiuliță.

Pentru modelul de 115 mm (4 - 1/2") / 125 mm (5")

► **Fig.11:** 1. Contrapiuliță de presare 2. Disc abraziv 3. Taler de cauciuc

1. Montați talerul de cauciuc pe arbore.
2. Instalați discul pe talerul de cauciuc și înșurubați contrapiulița de presare pe arbore.
3. Fixați arborele cu pârghia de blocare a axului și strângeți fix contrapiulița de presare cu cheia pentru contrapiuliță.

Pentru a demonta discul, executați în ordine inversă operațiile de instalare.

NOTĂ: Folosiți accesoriile pentru polizor specificate în acest manual. Acestea trebuie achiziționate separat.

OPERAREA

⚠️ AVERTIZARE: Nu este niciodată necesară forțarea mașinii. Greutatea mașinii exercită o presiune adecvată. Forțarea și exercitarea unei presiuni excesive pot provoca ruperea periculoasă a discului.

⚠️ AVERTIZARE: Înlocuiți ÎNTOTDEAUNA discul dacă scăpați mașina pe jos în timpul rectificării.

⚠️ AVERTIZARE: Nu loviți NICIODATĂ discul abraziv de piesa prelucrată.

⚠️ AVERTIZARE: Evitați izbiturile și salturile discului, în special când prelucrați colțuri, muchii ascuțiți etc. Acestea pot provoca pierderea controlului și reculuri.

⚠️ AVERTIZARE: Nu folosiți NICIODATĂ mașina cu discuri de tăiat lemne sau alte discuri de ferăstrău. Astfel de discuri folosite cu polizorul pot sări, ducând la pierderea controlului mașinii și la accidente.

⚠️ AVERTIZARE: Continuarea folosirii unui disc uzat poate conduce la explozia discului și vătămări corporale grave.

⚠️ ATENȚIE: Nu porniți niciodată mașina atunci când aceasta se află în contact cu piesa de prelucrat, deoarece poate vătăma operatorul.

⚠️ ATENȚIE: Purtați întotdeauna ochelari de protecție și o mască de protecție în timpul lucrului.

⚠️ ATENȚIE: După terminarea operației, opriți întotdeauna mașina și așteptați ca discul să se oprească complet înainte de a așeza mașina.

⚠️ ATENȚIE: Țineți ÎNTOTDEAUNA mașina ferm cu o mână pe carcasă și cu cealaltă pe mânerul lateral (mâner).

Utilizarea cu disc

► Fig.12

Porniți mașina și apoi aplicați discul pe piesa de prelucrat.

În principiu, mențineți muchia discului la un unghi de circa 15° față de suprafața piesei de prelucrat.

Pe durata perioadei de rodaj a unui disc nou, nu prelucrați cu polizorul pe direcția înainte deoarece aceasta va tăia în piesa de prelucrat. După ce marginea discului a fost rotunjită prin utilizare, discul poate fi utilizat atât în direcția înainte, cât și în direcția înapoi.

Operarea cu disc de retezare abraziv/disc de diamant

Accesorii opționale

⚠️ AVERTIZARE: Atunci când utilizați un disc abraziv pentru retezat/disc de diamant, asigurați-vă că utilizați doar apărătoarele pentru disc proiectate special pentru a fi utilizate împreună cu discuri abrazive de retezat.

(În unele țări europene, la utilizarea unui disc de diamant, poate fi utilizată o apărătoare obișnuită. Respectați reglementările din țara dumneavoastră.)

⚠️ AVERTIZARE: NU utilizați niciodată discul abraziv de retezat la polizarea laterală.

⚠️ AVERTIZARE: Nu „înțepeniți” discul și nici nu aplicați o presiune excesivă. Nu încercați să executați o adâncime excesivă a tăieturii. Supratensionarea discului mărește sarcina și susceptibilitatea de a torsiona sau a de a înțepeni discul în tăietură și posibilitatea de recul, spargerea discului și supraîncălzirea motorului.

⚠️ AVERTIZARE: Nu porniți operația de retezare în piesa de prelucrat. Lăsați discul să ajungă la viteza maximă și pătrundeți cu atenție în tăietură prin mutarea sculei spre înainte pe suprafața piesei de prelucrat. Discul se poate înțepeni, se poate deplasa în sus sau poate provoca un recul dacă mașina electrică este repornită în piesa de lucru.

⚠️ AVERTIZARE: În timpul operațiilor de retezare, nu schimbați niciodată unghiul discului. Aplicarea unei presiuni laterale asupra discului abraziv de retezat (ca la polizare) va cauza fisurarea și spargerea discului, producând leziuni grave.

⚠️ AVERTIZARE: Discul de diamant va fi operat perpendicular pe materialul de tăiat.

- Fig.13: 1. Contrapiuliță 2. Disc abraziv de retezat / disc de diamant 3. Flanșă interioară 4. Apărătoare pentru disc abraziv de retezat/disc de diamant

Pentru montare, urmați instrucțiunile pentru discul cu centru depresat.

Dirjecția de montare a contrapiuliței și a flanșei interioare variază în funcție de tipul și de grosimea discului.

Consultați figurile următoare.

Pentru modelul de 100 mm (4")

La instalarea discului abraziv de retezat:

- Fig.14: 1. Contrapiuliță 2. Disc abraziv de retezat (mai subțire 4 mm (5/32")) 3. Disc abraziv de retezat (4 mm (5/32")) sau mai gros 4. Flanșă interioară

La instalarea discului diamantat:

- Fig.15: 1. Contrapiuliță 2. Disc diamantat (mai subțire 4 mm (5/32")) 3. Disc diamantat (4 mm (5/32")) sau mai subțire 4. Flanșă interioară

Pentru modelul de 115 mm (4 - 1/2") / 125 mm (5")

La instalarea discului abraziv de retezat:

- Fig.16: 1. Contrapiuliță 2. Disc abraziv de retezat (mai subțire 4 mm (5/32")) 3. Disc abraziv de retezat (4 mm (5/32")) sau mai gros 4. Flanșă interioară

La instalarea discului diamantat:

- Fig.17: 1. Contrapiuliță 2. Disc diamantat (mai subțire 4 mm (5/32")) 3. Disc diamantat (4 mm (5/32")) sau mai subțire 4. Flanșă interioară

Utilizarea cu peria oală de sârmă

Accesorii opționale

⚠️ ATENȚIE: Verificați operarea periei prin rotirea uneltei fără sarcină, asigurându-vă că nu se află nimeni în fața sau în linie cu peria.

⚠️ ATENȚIE: Nu utilizați o perie care este deteriorată sau neechilibrată. Utilizarea unei perii deteriorate poate crește potențialul de accidentare prin contact cu sârmele periei deteriorate.

- Fig.18: 1. Perie oală de sârmă

Deconectați mașina și amplasați-o cu fața în jos pentru a permite accesul ușor la arbore.

Îndepărtați orice accesorii de pe arbore. Înfășurați peria oală de sârmă pe arbore și strângeți cu cheia furnizată.

NOTĂ: Evitați să aplicați o presiune prea mare care ar putea cauza îndoirea firelor la utilizarea periei. Aceasta poate duce la o rupere timpurie.

Utilizarea cu peria de disc din sârmă

Accesorii opționale

⚠️ ATENȚIE: Verificați operarea periei de disc din sârmă prin rotirea uneltei fără sarcină, asigurându-vă că nu se află nimeni în fața sau în linie cu peria de disc din sârmă.

⚠️ ATENȚIE: Nu utilizați o perie de disc din sârmă care este deteriorată sau neechilibrată. Utilizarea unei perii de disc din sârmă deteriorate poate mări pericolul de accidentare prin contact cu sârmele deteriorate.

⚠️ ATENȚIE: Protejați-vă ÎNTOTDEAUNA față de perile de disc din sârmă, asigurându-vă că diametrul discului se încadrează în interiorul apărătoarei. Discul se poate sparge în timpul utilizării, iar apărătoarea ajută la reducerea riscului de vătămare.

► **Fig.19:** 1. Perie de disc din sârmă

Deconectați mașina și amplasați-o cu fața în jos pentru a permite accesul ușor la arbore.

Îndepărtați orice accesorii de pe arbore. Înfășurați perie de disc din sârmă pe arbore și strângeți cu cheia furnizată.

NOTĂ: Evitați să aplicați o presiune prea mare care ar putea cauza îndoirea firelor la utilizarea periei de disc din sârmă. Aceasta poate duce la o rupere timpurie.

Conexiune curea (curea de prindere)

⚠️ Avertismente de siguranță specifice utilizării la înălțime

Citiți toate avertismentele de siguranță și toate instrucțiunile. Nerespectarea avertizărilor și instrucțiunilor poate conduce la vătămări grave.

1. **Atașați întotdeauna mașinii o curea atunci când lucrați „la înălțime”.** Lungimea maximă a curelei este de 2 m. Înălțimea de cădere maximă admisă a curelei (cureaua de prindere) nu trebuie să depășească 2 m.
2. Utilizați doar curele potrivite pentru acest tip de mașină, destinate pentru cel puțin 4,0 kg.
3. Nu ancorați cureaua uneltei de corpul dvs. sau de componente mobile. Ancorați cureaua uneltei de o structură rigidă care să poată susține forțele unei unelte aflate în cădere.
4. **Asigurați-vă că ați fixat bine cureaua la fiecare capăt înainte de utilizare.**
5. **Inspectați mașina și cureaua înainte de fiecare utilizare pentru a identifica potențialele defecțiuni și dacă funcționarea este corectă (inclusiv materialele textile și cusăturile).** Nu continuați dacă observați defecțiuni sau o funcționare necorespunzătoare. Trebuie să reparați mașina în special atunci când apar fisuri sau linii roșii în jurul orificiului pentru curea.
6. **Nu înfășurați curelele în jurul dvs. și nu le permiteți să intre în contact cu muchii ascuțiți sau aspre.**
7. **Prindeți fiecare capăt al curelei în afara zonei de lucru, pentru a putea fixa bine o unealtă în cădere.**
8. **Atașați cureaua astfel încât unealta să se distanțeze de operator în cazul în care cade.** Unelte care căzute vor rămâne agățate de curea, ceea ce ar putea provoca vătămări sau pierderea echilibrului.
9. **Nu utilizați în apropierea pieselor în mișcare sau a utilajelor în funcțiune.** În caz contrar, pot apărea accidente sau pericole.
10. **Nu țineți unealta de dispozitivul de atașare sau de curea.**
11. **Mutați unealta dintr-o mână în alta doar dacă sunteți într-o poziție echilibrată.**
12. **Nu atașați curelele de unealtă într-un mod care poate împiedica funcționarea corespunzătoare a apărătoarelor, a butoanelor sau pârghiilor de deblocare.**

13. **Evitați încurcarea în curea.**
14. **Țineți cureaua la distanță de zona de tăiere a uneltei.**
15. **Utilizați o carabinieră de fixare (cu acționare multiplă și cu șuruburi). Nu utilizați carabiniere cu o singură acționare și cu arc.**
16. **În cazul în care unealta cade de la înălțime, trebuie etichetată și scoasă din funcțiune și trebuie inspectată de o fabrică Makita sau de un centru autorizat de service.**
17. **Atașați cureaua numai cu o carabinieră de fixare. Nu atașați cureaua prin înfășurare sau înnodare. Nu utilizați frânghii sau cabluri.**

► **Fig.20:** 1. Orificiu pentru curea (cureaua de prindere)

ÎNȚREȚINERE

⚠️ ATENȚIE: Asigurați-vă că ați oprit mașina și că ați deconectat-o de la rețea înainte de a efectua operațiuni de inspecție sau întreținere.

NOTĂ: Nu utilizați niciodată gazolină, benzină, diluant, alcool sau alte substanțe asemănătoare. În caz contrar, pot rezulta decolorări, deformări sau fisuri.

Pentru a menține SIGURANȚA și FIABILITATEA produsului, reparațiile și orice alte lucrări de întreținere sau reglare trebuie executate de centre de service Makita autorizate sau proprii, folosind întotdeauna piese de schimb Makita.

Curățarea fanțelor de ventilație

Mașina și fanțele sale de ventilație trebuie păstrate curate. Curățați fanțele de ventilație ale mașinii în mod regulat sau ori de câte ori devin îmbăcsite.

► **Fig.21:** 1. Fantă de evacuare 2. Fantă de aspirație

ACCESORII OPȚIONALE

⚠️ ATENȚIE: Folosiți accesoriile sau piesele auxiliare recomandate pentru mașina dumneavoastră Makita în acest manual. Utilizarea oricăror alte accesorii sau piese auxiliare poate prezenta risc de vătămare corporală. Utilizați accesoriile și piesele auxiliare numai în scopul destinat.

Dacă aveți nevoie de asistență sau de mai multe detalii referitoare la aceste accesorii, adresați-vă centrului local de service Makita.

► Fig.22

-	Model 100 mm (4")	Model 115 mm (4-1/2")	Model 125 mm (5")
1	Mâner lateral		
2	Apărătoare pentru disc (pentru disc abraziv)		
3	Flanșă interioară	Flanșă interioară sau flanșă super	
4	Disc cu centru depresat/disc lamelar		
5	Contrapiuliță		
6	Taler suport		
7	Disc flexibil		
8	Taler de cauciuc 76	Taler de cauciuc 100	Taler de cauciuc 115
9	Disc abraziv		
10	Contrapiuliță de presare		
11	Perie de disc din sârmă		
12	Perie oală de sârmă		
13	Apărătoare pentru disc (pentru discul abraziv de retezat) *1		
14	Disc abraziv de retezat / disc de diamant		
-	Cheie pentru contrapiuliță		
-	Capac accesoriu de protecție contra prafului		

NOTĂ: *1 În unele țări europene, la utilizarea unui disc de diamant, poate fi utilizată o apărătoare obișnuită poate fi utilizată în locul apărătorii speciale acoperind ambele părți ale discului. Respectați reglementările din țara dumneavoastră.

NOTĂ: Unele articole din listă pot fi incluse ca accesorii standard în ambalajul de scule. Acestea pot diferi în funcție de țară.

ТЕХНІЧНІ ХАРАКТЕРИСТИКИ

Модель:	GA4050	GA4050R	GA4550	GA4550R	GA5050	GA5050R
Діаметр круга	100 мм (4")		115 мм (4-1/2")		125 мм (5")	
Макс. товщина круга	6,4 мм (1/4")		7,2 мм (9/32")			
Різьба шпінделя	M10		M14 або 5/8"			
Номінальна швидкість (n)	11 000 хв ⁻¹					
Загальна довжина	325 мм					
Маса нетто	2,3–2,6 кг		2,4–2,8 кг		2,5–2,8 кг	
Клас безпеки	□/□					

- Оскільки наша програма наукових досліджень і розробок триває безперервно, наведені тут технічні характеристики можуть бути змінені без попередження.
- У різних країнах технічні характеристики можуть бути різними.
- Вага може відрізнятись залежно від допоміжного обладнання. Найлегші та найважчі комплекти, відповідно до стандарту ЕРТА (Європейська асоціація виробників електроінструменту) від січня 2014 року, представлено в таблиці.

Призначення

Інструмент призначено для шліфування абразивним кругом/диском, шліфування абразивним папером та різання металевих і мінеральних матеріалів без використання води.

Джерело живлення

Інструмент можна підключати лише до джерела живлення, що має напругу, зазначену в таблиці із заводськими характеристиками, і він може працювати лише від однофазного джерела змінного струму. Він має подвійну ізоляцію, а отже може також підключатися до розеток без лінії заземлення.

Шум

Рівень шуму за шкалою А в типовому виконанні, визначений відповідно до стандарту EN60745-2-3:

Модель	Рівень звукового тиску (L _{ра}): (дБ (А))	Рівень звукової потужності (L _{ва}): (дБ (А))	Похибка (К): (дБ (А))
GA4050	91	102	3
GA4050R	91	102	3
GA4550	91	102	3
GA4550R	91	102	3
GA5050	91	102	3
GA5050R	91	102	3

ПРИМІТКА: Заявлене значення шуму було виміряно відповідно до стандартних методів тестування й може використовуватися для порівняння одного інструмента з іншим.

ПРИМІТКА: Заявлене значення шуму може також використовуватися для попереднього оцінювання впливу.

▲ ПОПЕРЕДЖЕННЯ: Користуйтеся засобами захисту органів слуху.

▲ ПОПЕРЕДЖЕННЯ: Залежно від умов використання рівень шуму під час фактичної роботи електроінструмента може відрізнятись від заявленого значення вібрації; особливо сильно на це впливає тип деталі, що оброблюється.

▲ ПОПЕРЕДЖЕННЯ: Забезпечте належні запобіжні заходи для захисту оператора, що відповідають умовам використання інструмента (слід брати до уваги всі складові робочого циклу, як-от час, коли інструмент вимкнено та коли він починає працювати на холостому ході під час запуску).

Вібрація

Загальна величина вібрації (векторна сума трьох напрямків) визначена згідно з EN60745-2-3:

Режим роботи: шліфування поверхні за допомогою звичайної бокової рукоятки

Модель	Розповсюдження вібрації ($a_{hv, AG}$): (м/с ²)	Похибка (K): (м/с ²)
GA4050	6,5	1,5
GA4050R	6,5	1,5
GA4550	7,0	1,5
GA4550R	7,0	1,5
GA5050	7,5	1,5
GA5050R	7,5	1,5

Режим роботи: шліфування поверхні за допомогою вібростійкої бокової рукоятки

Модель	Розповсюдження вібрації ($a_{hv, AG}$): (м/с ²)	Похибка (K): (м/с ²)
GA4050	5,5	1,5
GA4050R	5,5	1,5
GA4550	7,0	1,5
GA4550R	7,0	1,5
GA5050	8,5	1,5
GA5050R	8,5	1,5

Режим роботи: шліфування диском за допомогою звичайної бокової рукоятки

Модель	Розповсюдження вібрації ($a_{hv, AG}$): (м/с ²)	Похибка (K): (м/с ²)
GA4050	2,5 м/с ² або менше	1,5
GA4050R	2,5 м/с ² або менше	1,5
GA4550	2,5	1,5
GA4550R	2,5	1,5
GA5050	2,5 м/с ² або менше	1,5
GA5050R	2,5 м/с ² або менше	1,5

Режим роботи: шліфування диском за допомогою вібростійкої бокової рукоятки

Модель	Розповсюдження вібрації ($a_{hv, AG}$): (м/с ²)	Похибка (K): (м/с ²)
GA4050	2,5 м/с ² або менше	1,5
GA4050R	2,5 м/с ² або менше	1,5
GA4550	2,5 м/с ² або менше	1,5
GA4550R	2,5 м/с ² або менше	1,5
GA5050	2,5 м/с ² або менше	1,5
GA5050R	2,5 м/с ² або менше	1,5

ПРИМІТКА: Заявлене загальне значення вібрації було виміряно відповідно до стандартних методів тестування й може використовуватися для порівняння одного інструмента з іншим.

ПРИМІТКА: Заявлене загальне значення вібрації може також використовуватися для попереднього оцінювання впливу.

⚠ ПОПЕРЕДЖЕННЯ: Залежно від умов використання вібрація під час фактичної роботи електроінструмента може відрізнятись від заявленого значення вібрації; особливо сильно на це впливає тип деталі, що оброблюється.

⚠ ПОПЕРЕДЖЕННЯ: Забезпечте належні запобіжні заходи для захисту оператора, що відповідають умовам використання інструмента (слід брати до уваги всі складові робочого циклу, як-от час, коли інструмент вимкнено та коли він починає працювати на холостому ході під час запуску).

⚠ ПОПЕРЕДЖЕННЯ: Заявлене значення вібрації відноситься до основних операцій, що виконуються за допомогою електроінструмента. Однак у разі використання інструмента з іншою метою значення вібрації може відрізнятись.

Декларація про відповідність стандартам ЄС

Тільки для країн Європи

Декларацію про відповідність стандартам ЄС наведено в Додатку А до цієї інструкції з експлуатації.

ПОПЕРЕДЖЕННЯ ПРО ДОТРИМАННЯ ТЕХНІКИ БЕЗПЕКИ

Загальні застереження щодо техніки безпеки при роботі з електроінструментами

⚠ ПОПЕРЕДЖЕННЯ: Уважно ознайомтеся з усіма попередженнями про дотримання правил техніки безпеки, інструкціями, ілюстраціями та технічними характеристиками, що стосуються цього електроінструмента. Невиконання будь-яких інструкцій, перелічених нижче, може призвести до ураження електричним струмом, пожежі та/або тяжких травм.

Збережіть усі інструкції з техніки безпеки та експлуатації на майбутнє.

Термін «електроінструмент», зазначений у інструкції з техніки безпеки, стосується електроінструмента, який функціонує від електромережі (електроінструмент з кабелем живлення), або електроінструмента з живленням від батареї (безпроводний електроінструмент).

Попередження про необхідну обережність під час роботи з шліфувальною машиною

Загальні попередження про необхідну обережність для операцій шліфування абразивним кругом/диском, шліфування абразивним папером, зачищення металевою щіткою та абразивного відрізання:

1. Цей електроінструмент призначено для шліфування абразивним кругом/диском, шліфування абразивним папером, зачищення металевою щіткою або відрізання. Уважно ознайомтеся з усіма попередженнями про необхідну обережність, інструкціями, ілюстраціями та технічними характеристиками, що стосуються цього електроінструмента. Невиконання цих інструкцій може призвести до ураження електричним струмом, пожежі та/або важких травм.
2. Цей електроінструмент не рекомендується використовувати для полірування. Використання електроінструмента не за призначенням може спричинити небезпечну ситуацію та призвести до отримання травм.

3. Заборонено використовувати приладдя, які спеціально не призначені для цього інструмента та не рекомендовані виробником. Навіть якщо приладдя можна приєднати до інструмента, це не гарантує безпечної експлуатації.
4. Номінальна швидкість приладдя повинна щонайменше дорівнювати максимальній швидкості, яка вказана на електроінструменті. Приладдя, що обертається зі швидкістю, більшою за номінальну, може зламатися та відскочити.
5. Зовнішній діаметр та товщина приладдя повинні бути в межах номінальних характеристик електроінструмента. Приладдя неналежних розмірів не можна захистити або контролювати належним чином.
6. Різьба на кріпленні приладдя повинна відповідати різьбі на шпінделі шліфувальної машини. Центровий отвір приладдя, що встановлюється на фланець, повинен відповідати установлювальному діаметру фланця. Приладдя, що не підходить до кріплення електроінструмента, зазнає розбалансування і надмірної вібрації та може спричинити втрату контролю.
7. Не можна використовувати пошкоджене приладдя. Перед кожним використанням слід перевірити приладдя, як-от абразивні круги, наявність зазублин і тріщин, підкладку — на наявність тріщин або зношення, а металеві щітки — на наявність послаблених або тріснутих дротів. У разі падіння електроінструмента або приладдя необхідно оглянути виріб на наявність пошкоджень або встановити нешкоджене приладдя. Після огляду та встановлення приладдя займіть таке положення, щоб ви та сторонні особи перебували поза площиною обертання приладдя, запустіть інструмент та дайте йому попрацювати на максимальній швидкості без навантаження протягом однієї хвилини. Під час такого пробного запуску пошкоджене приладдя зазвичай розпадається на частини.
8. Використовуйте засоби індивідуального захисту. Відповідно до ділянки застосування необхідно користуватися захисним щитком або захисними окулярами. За необхідності носіть пілозахисну маску, засоби захисту органів слуху, рукавиці та робочий фартух, які здатні затримувати дрібні частинки абразивного матеріалу або деталі. Засоби захисту органів зору повинні бути здатними затримувати уламки, що утворюються під час виконання різних операцій. Пілозахисна маска або респіратор повинні фільтрувати частинки, що утворюються під час роботи. Тривала дія сильного шуму може призвести до втрати слуху.
9. Сторонні особи повинні знаходитися на безпечній відстані від місця роботи. Кожна особа, яка входить до робочої зони, має носити засоби індивідуального захисту. Частинки деталі або уламки приладдя можуть відлетіти за межі безпосередньої робочої зони та спричинити травмування.

10. **Тримайте електроінструмент тільки за призначені для цього ізольовані поверхні під час виконання дії, за якої ріжучий інструмент може зачепити приховану електропроводку або власний шнур.** Торкання ріжучим приладдям дроту під напругою може призвести до передавання напруги до оголених металевих частин інструмента та до ураження оператора електричним струмом.
11. **Шнур має знаходитися на відстані від приладдя, що обертається.** Якщо втратити контроль, шнур може бути перерізано або пошкоджено, і руку може бути затягнуто до приладдя, що обертається.
12. **Не можна відкладати електроінструмент, поки приладдя повністю не зупиниться.** Приладдя, що обертається, може зачепити поверхню та вирвати електроінструмент з-під контролю.
13. **Не можна працювати з електроінструментом, тримаючи його поряд із собою.** У результаті випадкового контакту приладдя, що обертається, може зачепити одяг та призвести до руху приладдя в напрямку тіла.
14. **Регулярно очищуйте вентиляційні отвори електроінструмента.** Вентилятор двигуна втягує пил усередину кожуха, а надмірне скупчення металевого порошку створює ризик ураження електричним струмом.
15. **Не можна працювати з електроінструментом поблизу легкозаймистих матеріалів.** Ці матеріали можуть спалахнути від іскри.
16. **Не можна використовувати приладдя, що потребує застосування охолоджувальних рідин.** Використання води або інших охолоджувальних рідин може призвести до ураження електричним струмом.

Віддача та відповідні попередження

Віддача — це раптова реакція на защемлення або чіпляння круга, що обертається, підкладки, щітки або будь-якого іншого приладдя. Защемлення або чіпляння призводить до швидкої зупинки приладдя, що обертається, і це в свою чергу спричиняє неконтрольований рух електроінструмента у напрямку, протилежному до напрямку обертання приладдя у місці заклинювання. Наприклад, якщо абразивний круг защемлений або зачеплений деталлю, край круга, що входить до місця защемлення, може увійти в поверхню матеріалу, що призведе до відскоку круга або віддачі. Круг може відскочити в напрямку оператора або від нього; це залежить від напрямку руху круга в місці защемлення. За таких умов абразивні круги можуть зламатися. Причини віддачі є неправильне користування електроінструментом та/або неправильні умови чи порядок експлуатації; її можна уникнути, вживши запобіжних заходів, зазначених нижче.

1. **Міцно тримайте електроінструмент та займіть таке положення, яке дозволить вам опиратися силі віддачі.** Обов'язково користуйтеся допоміжною рукою (за наявності), щоб збільшити до максимуму контроль за віддачею або реакцією від крутного моменту під час пуску. Якщо вжити всіх запобіжних заходів, оператор зможе контролювати реакцію крутного моменту або силу віддачі.

2. **У жодному разі не можна тримати руку біля приладдя, що обертається.** Приладдя може під час віддачі травмувати руку.
3. **Не можна розташовувати тіло в зоні, у яку рухатиметься інструмент під час віддачі.** Віддача призведе до штовхання інструмента у місці торкання круга та робочої деталі в напрямку, протилежному напрямку обертання круга.
4. **Необхідно особлива обережність під час обробки кутів, гострих країв тощо. Уникайте відскоків та чіпляння приладдя.** Кути, гострі краї або відскоки призводять до чіпляння приладдя, що обертається, спричиняючи втрату контролю та віддачу.
5. **Заборонено прикріплювати диск ланцюгової пили для різання по дереву або диск зубчастої пили.** Такі диски часто спричиняють віддачу та втрату контролю.

Спеціальні попередження про необхідну обережність під час шліфування абразивним кругом та абразивною відрізанню:

1. **Використовуйте тільки типи кругів, які рекомендовано для цього електроінструмента, а також спеціальний захисний кожух, призначений для обраного круга.** Круги, для роботи з якими електроінструмент не призначено, не можна надійно закрити захисним кожухом, тому вони становлять небезпеку.
2. **Шліфувальну поверхню кругів із заглибленим центром необхідно встановити під площинною кромки захисного кожуха.** Неправильно встановлений круг, який виступає за площину кромки захисного кожуха, не можна закрити належним чином.
3. **Захисний кожух необхідно надійно прикріпити до електроінструмента та розташувати для забезпечення максимальної безпеки, щоб круг був якомога менше відкритим у напрямку оператора.** Кожух захищає оператора від уламків зламаного круга, від випадкового контакту з кругом та від іскор, через які може зайнятися одяг.
4. **Круги необхідно використовувати тільки за рекомендованим призначенням.** Наприклад, не можна шліфувати бічною стороною відрізного круга. Абразивні відрізні круги призначені для шліфування периферією круга; у разі докладання бічних зусиль до цих кругів вони можуть розколотися.
5. **Обов'язково використовуйте неушкоджені фланці кругів, розмір та форма яких відповідають обраному кругу.** Правильно підібрані фланці добре підтримують круг і таким чином зменшують імовірність його поломки. Фланці для відрізних кругів можуть відрізнятись від фланців для шліфувальних кругів.
6. **Не можна використовувати зношені круги від більших електроінструментів.** Круг, призначений для більшого електроінструмента, не підходить до вищої швидкості меншого інструмента та може розірватися.

Додаткові спеціальні попередження про необхідну обережність під час абразивного відрізання:

1. **Не можна «заклинювати» відрізний круг або прикладати надмірний тиск. Не намагайтеся зробити розріз надмірної глибини.** Надмірний тиск на круг збільшує навантаження та схильність до перекошування або заклинювання круга у розрізі, а також створює можливість віддачі або поломки круга.
2. **Не можна знаходитися на одній лінії з кругом або позаду круга, що обертається.** Коли під час роботи круг рухається від вас, то можлива віддача може відштовхнути круг, що обертається, та інструмент прямо у ваш бік.
3. **Якщо круг застрягне або різання буде перервано з будь-якої причини, вимкніть електроінструмент та потримайте його нерухомо до повної зупинки круга.** У жодному разі не намагайтеся витягти відрізний круг із розрізу, поки він рухається; недотримання цієї вимоги може призвести до віддачі. Огляньте круг та вживіть необхідних заходів, щоб усунути причину його заклинювання.
4. **Заборонено заново починати операцію різання, коли круг знаходиться в робочій деталі.** Спочатку круг повинен набрати повної швидкості, а потім його слід обережно знову ввести у розріз. Якщо електроінструмент перезапустили, коли круг знаходиться в робочій деталі, круг може застрягти, сіпнутися або спричинити віддачу.
5. **Необхідно підтримувати панелі або будь-які деталі великого розміру, щоб мінімізувати ризик защемлення круга або виникнення віддачі.** Великі робочі деталі зазвичай прогинаються під власною вагою. Опори необхідно розташовувати під деталлю поблизу лінії різання та поблизу краю робочої деталі з обох боків круга.
6. **Необхідна особлива обережність під час вірзання виїмок в наявних стінах або інших невидимих зонах.** Виступаючий круг може зачепити газо- або водопровід, електропроводку або предмети, що можуть спричинити віддачу.

Спеціальні попередження про необхідну обережність під час шліфування абразивним папером:

1. **Заборонено використовувати папір для шліфувального диска завеликого розміру.** Вибираючи абразивний папір, дотримуйтеся рекомендацій виробника. Завеликий абразивний папір, що виступає за межі шліфувальної підкладки, становить небезпеку поранення та може призвести до чіплення, задирання диска або до віддачі.

Спеціальні попередження про необхідну обережність під час зачищення металевою щіткою:

1. **Пам'ятайте, що від щітки відлітають уламки дроту, навіть під час звичайної роботи. Не перенапружуйте дріт, прикладаючи надмірне навантаження до щітки.** Уламки дроту можуть легко пробити легкий одяг та/або шкіру.
2. **Якщо під час зачищення металевою щіткою рекомендовано використовувати захисний кожух, не допускайте контакту щітки та кожуха.** Під дією робочого навантаження та відцентрових сил діаметр щітки або дискової дротяної щітки може збільшитися.

Додаткові попередження про необхідну обережність:

1. **У разі використання шліфувальних кругів із заглибленим центром використовуйте лише круги, армовані скловолокном.**
2. **У ЖОДНОМУ РАЗІ НЕ ВИКОРИСТОВУЙТЕ** з цією шліфувальною машиною чашоподібні шліфувальні круги для роботи по каменю. Ця шліфувальна машина не призначена для використання кругів такого типу, і таке використання виробу може призвести до важких травм.
3. **Будьте обережні, щоб не пошкодити шпиндель, фланець (особливо поверхню встановлення) або контргайку.** Пошкодження цих деталей може призвести до поломки круга.
4. **Перед увімкненням інструмента переконайтеся, що круг не торкається деталі.**
5. **Перед початком використання інструмента запустіть його та дайте опрацювати йому деякий час.** Звертайте увагу на вібрацію або нерівний хід — це може вказувати на незадовільне встановлення або балансування круга.
6. **Використовуйте зазначену поверхню круга для шліфування.**
7. **Не залишайте без нагляду інструмент, який працює.** Працюйте з інструментом, тільки тримаючи його в руках.
8. **Не торкайтеся деталі одразу після обробки — вона може бути дуже гарячою та спричинити опік шкіри.**
9. **Не торкайтеся допоміжних деталей одразу після обробки — вони можуть бути дуже гарячими та спричинити опік шкіри.**
10. **Дотримуйтеся інструкцій виробника щодо правильного встановлення та використання круга.** Поводитися з кругами та зберігати їх необхідно з належною обережністю.
11. **Не використовуйте окремі перехідні втулки або адаптери для прикріплення шліфувальних кругів з отворами великого діаметра.**
12. **Використовуйте тільки фланці, призначені для цього інструмента.**
13. **При використанні інструментів, призначених для встановлення кругів із різьбовим отвором, необхідно, щоб довжина різьби круга відповідала довжині шпинделя.**
14. **Перевірте надійність опори робочої деталі.**
15. **Пам'ятайте, що круг продовжує обертатися після вимкнення інструмента.**
16. **У разі високої температури, вологості чи рівня забруднення електропровідним пилом на робочому місці використовуйте автоматичний захисний вимикач (30 мА) для забезпечення безпеки оператора.**
17. **Не застосовуйте інструмент для роботи з матеріалами, що містять азбест.**
18. **Якщо використовується відрізний круг, обов'язково працюйте з пілозахисним кожухом круга, який відповідає вимогам місцевих норм.**
19. **Не можна надавати ріжучі диски боковому тиску.**
20. **Під час роботи не користуйтеся сукняними робочими рукавицями.** Волокно з сукняних рукавиць може потрапити в інструмент, і це призведе до його поломки.

ЗБЕРІГАЙТЕ ЦІ ВКАЗІВКИ.

▲ПОПЕРЕДЖЕННЯ: НІКОЛИ НЕ втрачайте пильності та не розслабляйтеся під час користування виробом (що можливо при частому використанні); обов'язково строго дотримуйтеся відповідних правил безпеки. **НЕНАЛЕЖНЕ ВИКОРИСТАННЯ** або недотримання правил безпеки, викладених у цій інструкції з експлуатації, може призвести до серйозних травм.

ОПИС РОБОТИ

▲ОБЕРЕЖНО: Перед тим як регулювати або перевіряти функціональність інструмента, обов'язково переконайтеся, що інструмент вимкнено й від'єднано від електромережі.

Замок вала

Натисніть на замок вала, щоб заблокувати обертання шпинделя під час встановлення або зняття приладдя.

► **Рис.1:** 1. Замок вала

УВАГА: Заборонено використовувати замок вала, коли шпиндель обертається. Це може призвести до пошкодження інструмента.

Дія вимикача

▲ОБЕРЕЖНО: Перед тим як підключити інструмент до мережі, обов'язково переконайтеся, що курок вмикача належним чином спрацює та повертається в положення «ВИМК.», коли його відпускають.

▲ОБЕРЕЖНО: Не намагайтеся із силою притиснути пусковий важіль до рукоятки, якщо кнопку розблокування не натиснуто. Пусковий важіль може зламатися.

Для запобігання випадковому натисканню пускового важеля інструмент оснащено важелем блокування у вимкненому положенні. Для запуску інструмента потягніть важіль блокування у вимкненому положенні в напрямку оператора, а потім натисніть пусковий важіль. Відпустіть пусковий важіль, щоб зупинити інструмент.

► **Рис.2:** 1. Важіль блокування у вимкненому положенні 2. Пусковий важіль

Захист від випадкового запуску

Тільки для моделі GA4050R / GA4550R / GA5050R

За натискання пускового важеля інструмент не ввімкнеться, навіть якщо його підключено до мережі живлення. Для запуску інструмента слід спочатку відпустити пусковий важіль. Після цього необхідно натиснути важіль блокування у вимкненому положенні, а потім натиснути пусковий важіль.

ПРИМІТКА: Коли задіяно захист від випадкового запуску, зачекайте не менше однієї секунди, перш ніж повторно запускати інструмент.

Функція плавного запуску

Тільки для моделі GA4050R / GA4550R / GA5050R

Функція плавного запуску гасить поштовх під час запуску інструмента.

ЗБОРКА

▲ОБЕРЕЖНО: Перед виконанням будь-яких робіт з інструментом обов'язково вимкніть його та відключіть від електромережі.

Встановлення бокової рукоятки (ручки)

▲ОБЕРЕЖНО: Перед початком роботи необхідно перевірити надійність кріплення бокової рукоятки.

Надійно пригвинтіть бокову рукоятку до інструмента, як показано на малюнку.

► **Рис.3**

Встановлення або зняття захисного кожуха круга

▲ПОПЕРЕДЖЕННЯ: При використанні круга з заглибленим центром, пелюсткового диска, гнучкого круга або дискової дротяної щітки встановлюйте захисний кожух круга таким чином, щоб закриту сторону кожуха завжди було спрямовано в бік оператора.

▲ПОПЕРЕДЖЕННЯ: Переконайтеся в тому, що захисний кожух круга надійно зафіксовано важелем блокування на одному з отворів у кожусі диска.

▲ПОПЕРЕДЖЕННЯ: Під час застосування абразивного відрізного круга / алмазного диска обов'язково використовуйте тільки спеціальний захисний кожух круга, призначений для використання з відрізними кругами.

(У деяких країнах Європи під час застосування алмазного диска можна використовувати звичайний захисний кожух. Дотримуйтеся норм та правил, чинних у вашій країні.)

Для круга із заглибленим центром, пелюсткового диска, гнучкого круга, дискової дротяної щітки / абразивного відрізного круга, алмазного диска

1. Натискаючи важіль блокування, установіть захисний кожух круга, сумістивши виступи на ньому з пазами на корпусі підшипника.

► **Рис.4:** 1. Важіль блокування 2. Паз 3. Виступ

2. Утримуючи важіль блокування натиснутим у напрямку А, притисніть захисний кожух круга в точках В, як показано на малюнку.

► **Рис.5:** 1. Захисний кожух круга 2. Отвір

ПРИМІТКА: Натисніть на захисний кожух диска в напрямку вперед. В іншому разі ви не зможете повністю вставити захисний кожух диска.

3. Утримуючи натиснутим важіль блокування, поверніть захисний кожух круга в напрямку С, після чого змініть кут захисного кожуха круга залежно від виконуваної роботи, щоб забезпечити захист оператора. Зіставте важіль блокування з одним з отворів у захисному кожусі круга, після чого відпустіть важіль блокування, щоб заблокувати захисний кожух круга.

► **Рис.6:** 1. Захисний кожух круга 2. Отвір

Щоб зняти захисний кожух круга, виконайте процедуру його встановлення у зворотному порядку.

Встановлення або зняття круга з заглибленим центром або пелюсткового диска

Додаткове приладдя

▲ПОПЕРЕДЖЕННЯ: При використанні круга з заглибленим центром або пелюсткового диска встановлюйте захисний кожух круга таким чином, щоб закрити сторону кожуха завжди було спрямовано в бік оператора.

▲ОБЕРЕЖНО: Переконайтеся, що монтажна деталь внутрішнього фланця точно відповідає внутрішньому діаметру круга з заглибленим центром / пелюсткового диска. Встановлення внутрішнього фланця на невідповідному боці може призвести до небезпечної вібрації.

Установіть внутрішній фланець на шпindelь. Переконайтеся, що зазублену частину внутрішнього фланця встановлено на пряму частину внизу шпindelя.

Встановіть круг із заглибленим центром / пелюстковий диск на внутрішній фланець та накрутіть контргайку на шпindelь.

► **Рис.7:** 1. Контргайка 2. Круг із заглибленим центром 3. Внутрішній фланець 4. Монтажна деталь

Щоб затягнути контргайку, міцно натисніть на замок вала, щоб шпindelь не міг обертатись, а потім за допомогою ключа для контргайки надійно затягніть її за годинниковою стрілкою.

► **Рис.8:** 1. Ключ для контргайки 2. Замок вала

Щоб зняти круг, виконайте процедуру його встановлення у зворотному порядку.

Встановлення та зняття гнучкого круга

Додаткове приладдя

▲ПОПЕРЕДЖЕННЯ: Якщо на інструмент встановлено гнучкий круг, обов'язково використовуйте захисний кожух, що входить до комплекту постачання. Під час використання круг може розколотися, а захисний кожух зменшує ризик травмування.

► **Рис.9:** 1. Контргайка 2. Гнучкий круг 3. Підкладка 4. Внутрішній фланець

Дотримуйтеся інструкцій щодо використання диска із заглибленим центром, але також використовуйте пластикову підкладку, що встановлюється на диск. Порядок монтажу вказано в цій інструкції з експлуатації на сторінці з інформацією про приладдя.

Встановлення або зняття абразивного диска

Додаткове приладдя

Для моделі 100 мм (4")

► **Рис.10:** 1. Контргайка шліфувального диска 2. Абразивний диск 3. Гумова підкладка 4. Внутрішній фланець

1. Установіть внутрішній фланець на шпindelь.
2. Установіть гумову підкладку на шпindelь.
3. Установіть диск на гумову підкладку та накрутіть на шпindelь контргайку шліфувального диска.
4. Утримуйте шпindelь за допомогою замка вала та надійно затягніть контргайку шліфувального диска ключем для контргайки.

Для моделі 115 мм (4—1/2")/125 мм (5")

► **Рис.11:** 1. Контргайка шліфувального диска 2. Абразивний диск 3. Гумова підкладка

1. Установіть гумову підкладку на шпindelь.
2. Установіть диск на гумову підкладку та накрутіть на шпindelь контргайку шліфувального диска.
3. Утримуйте шпindelь за допомогою замка вала та надійно затягніть контргайку шліфувального диска ключем для контргайки.

Щоб зняти диск, виконайте процедуру встановлення у зворотному порядку.

ПРИМІТКА: Використовуйте приладдя для шліфувальної машини, зазначені в цій інструкції. Їх потрібно купувати окремо.

РОБОТА

▲ ПОПЕРЕДЖЕННЯ: Не потрібно прикладати силу до інструмента. Вага інструмента забезпечує достатній тиск. Прикладання сили та надмірний тиск можуть призвести до небезпечної поломки круга.

▲ ПОПЕРЕДЖЕННЯ: **ОБОВ'ЯЗКОВО** замініть круг, якщо інструмент впав під час роботи.

▲ ПОПЕРЕДЖЕННЯ: **У ЖОДНОМУ РАЗІ** не вдаряйте шліфувальним диском по робочій деталі.

▲ ПОПЕРЕДЖЕННЯ: Уникайте відскоків та чіпання круга, особливо під час обробки кутів, гострих країв тощо. Це може призвести до втрати контролю та віддачі.

▲ ПОПЕРЕДЖЕННЯ: **ЗАБОРОНЕНО** використовувати інструмент із ріжучими дисками для деревини та іншими дисками пили. У разі використання на шліфувальних машинах такі диски часто спричиняють віддачу та призводять до втрати контролю та травмування.

▲ ПОПЕРЕДЖЕННЯ: Продовження використання зношеного диска може призвести до розриву диска та серйозних поранень.

▲ ОБЕРЕЖНО: Заборонено вмикати інструмент, коли він торкається робочої деталі, оскільки це може призвести до травмування оператора.

▲ ОБЕРЕЖНО: Під час роботи обов'язково користуйтеся захисними окулярами або захисним щитком.

▲ ОБЕРЕЖНО: Після закінчення роботи обов'язково вимкніть інструмент та зачекайте, поки круг не зупиниться повністю, перш ніж відкладати інструмент.

▲ ОБЕРЕЖНО: **ОБОВ'ЯЗКОВО** міцно тримайте інструмент однією рукою за корпус, а другою — за бокову рукоятку (ручку).

Виконання робіт із кругом / диском

► Рис.12

Увімкніть інструмент та підведіть круг або диск до робочої деталі.

Взагалі слід підтримувати кут близько 15° між краєм круга або диска та поверхнею деталі.

Під час періоду припрацювання нового круга не можна пересувати шліфувальну машину вперед, інакше вона може врізатися в деталь. Щойно край круга стане обточеним від використання, круг можна буде пересувати як вперед, так і назад.

Робота з абразивним відрізним кругом / алмазним диском

Додаткове приладдя

▲ ПОПЕРЕДЖЕННЯ: Під час застосування абразивного відрізного круга / алмазного диска **обов'язково** використовуйте тільки спеціальний захисний кожух, призначений для використання з відрізними кругами.

(У деяких країнах Європи під час застосування алмазного диска можна використовувати звичайний захисний кожух. Дотримуйтеся норм та правил, чинних у вашій країні.)

▲ ПОПЕРЕДЖЕННЯ: **ЗАБОРОНЕНО** використовувати відрізнний круг для бокового шліфування.

▲ ПОПЕРЕДЖЕННЯ: Не можна «заклинювати» круг або піддавати його надмірному тиску. Не намагайтеся зробити розріз надмірної глибини. Перенапруження круга збільшує навантаження та здатність до перекошування або застрягання круга у розрізі, а також створює потенційний ризик віддачі, поломки круга та перегрівання двигуна.

▲ ПОПЕРЕДЖЕННЯ: Заборонено розпочинати різання, коли круг знаходиться в деталі. Спочатку круг повинен набрати повну швидкість, а потім його слід обережно ввести у проріз, пересуваючи інструмент уперед над поверхнею деталі. Якщо інструмент запустити, коли круг знаходиться в робочій деталі, круг може застрягти, сіпнутися або спричинити віддачу.

▲ ПОПЕРЕДЖЕННЯ: Під час різання не можна міняти кут нахилу круга. Прикладання бокового тиску до відрізного круга (як під час шліфування) призведе до розтріскування та поломки круга і, як наслідок, до важких травм.

▲ ПОПЕРЕДЖЕННЯ: Алмазний диск **необхідно** прикладати перпендикулярно до робочої поверхні під час роботи.

► Рис.13: 1. Контргайка 2. Абразивний відрізнний круг / алмазний диск 3. Внутрішній фланець 4. Захисний кожух для абразивного відрізного круга / алмазного диска

Стосовно встановлення дотримуйтеся інструкцій для круга із заглибленим центром.

Напрямок встановлення контргайки та внутрішнього фланця залежить від типу та товщини круга.

Див. наведені далі рисунки.

Для моделі 100 мм (4")

Під час встановлення абразивного відрізного круга:

► Рис.14: 1. Контргайка 2. Абразивний відрізнний круг (з товщиною до 4 мм (5/32")) 3. Абразивний відрізнний круг (з товщиною від 4 мм (5/32")) 4. Внутрішній фланець

Під час встановлення алмазного диска:

► Рис.15: 1. Контргайка 2. Алмазний диск (з товщиною до 4 мм (5/32")) 3. Алмазний диск (з товщиною від 4 мм (5/32")) 4. Внутрішній фланець

Для моделі 115 мм (4—1/2")/125 мм (5")

Під час встановлення абразивного відрізного круга:

- **Рис.16:** 1. Контргайка 2. Абразивний відрізнаючий круг (з товщиною до 4 мм (5/32")) 3. Абразивний відрізнаючий круг (з товщиною від 4 мм (5/32")) 4. Внутрішній фланець

Під час встановлення алмазного диска:

- **Рис.17:** 1. Контргайка 2. Алмазний диск (з товщиною до 4 мм (5/32")) 3. Алмазний диск (з товщиною від 4 мм (5/32")) 4. Внутрішній фланець

Робота з чашоподібною дротяною щіткою

Додаткове приладдя

⚠ОБЕРЕЖНО: Перевірте роботу щітки, запустивши інструмент у режимі холостого ходу, наперед переконавшись, що перед щіткою або на одній лінії з нею немає людей.

⚠ОБЕРЕЖНО: Не використовуйте пошкоджену або розбалансовану щітку. Використання пошкодженої щітки може збільшити ризик травмування через контакт із дротами пошкодженої щітки.

- **Рис.18:** 1. Чашоподібна дротяна щітка

Вимкніть інструмент з електромережі та переверніть його, щоб мати зручний доступ до шпинделя. Зніміть усе приладдя зі шпинделя. Накрутіть чашоподібну дротяну щітку на шпindel та затягніть за допомогою ключа, що входить до комплекту постачання.

УВАГА: Не прикладайте надмірний тиск, від якого дроти можуть сильно погнутися під час використання щітки. Це може призвести до передчасного виходу з ладу.

Робота з дисковою дротяною щіткою

Додаткове приладдя

⚠ОБЕРЕЖНО: Перевірте роботу дискової дротяної щітки, запустивши інструмент у режимі холостого ходу, попередньо переконавшись, що перед щіткою або на одній лінії з нею немає людей.

⚠ОБЕРЕЖНО: Не використовуйте пошкоджену або розбалансовану дискову дротяну щітку. Використання пошкодженої дискової дротяної щітки може збільшити ризик травмування через контакт із дротами пошкодженої щітки.

⚠ОБЕРЕЖНО: Із дисковою дротяною щіткою **ОБОВ'ЯЗКОВО** використовуйте захисний кожух, який відповідає діаметру диска. Під час використання круг може розколотися, а захисний кожух зменшує ризик травмування.

- **Рис.19:** 1. Дискова дротяна щітка

Вимкніть інструмент з електромережі та переверніть його, щоб мати зручний доступ до шпинделя. Зніміть усе приладдя зі шпинделя. Накрутіть дискову дротяну щітку на шпindel та затягніть за допомогою ключів.

УВАГА: Не прикладайте надмірний тиск, від якого дроти можуть сильно погнутися під час використання дискової дротяної щітки. Це може призвести до передчасного виходу з ладу.

Прикріплення стропа (страхувального ремня)

⚠ Інструкції з техніки безпеки робіт на висоті. Ознайомтеся зі всіма застереженнями стосовно техніки безпеки та інструкціями. Недотримання відповідних застережень та інструкцій може призвести до серйозних травм.

1. Під час виконання робіт на висоті обов'язково користуйтеся страхувальним ремнем для фіксації інструмента. Максимальна довжина стропа становить 2 м. Максимальна допустима висота падіння для стропа (страхувального ремня) не повинна перевищувати 2 м.
2. Із цим інструментом слід використовувати тільки спеціальні стропа, розраховані на вагу щонайменше 4,0 кг.
3. Не прикріплюйте строп інструмента до елементів одягу або до рухливих деталей. Прикріпіть строп інструмента до жорсткої конструкції, яка може витримати вагу інструменту, що падає.
4. Перед використанням переконайтеся в тому, що строп надійно закріплений з кожного кінця.
5. Перевіряйте інструмент і строп перед кожним використанням на предмет справності та відсутності пошкоджень (зокрема, стан тканини та швів). Не використовуйте пошкоджене або несправне приладдя. Інструмент підлягає ремонту особливо в тому випадку, якщо навколо отвору для стропа з'явилася тріщина або червона лінія.
6. Не огортайте стропа навколо предметів з гострими або зазубленими краями і не допускайте контакту стропів з такими предметами.
7. Прикріпіть інший кінець стропа за межами робочої зони таким чином, щоб інструмент, що падає, надійно фіксувався.
8. Прикріпіть строп таким чином, щоб у разі падіння інструмент рухався в протилежному від оператора напрямку. Інструменти, що впали, розгойдуватимуться на стропах, що може призвести до травми або втрати балансу.
9. Не використовувати поблизу рухомих частин або обладнання, що працює. Недотримання цієї вимоги може призвести до механічних пошкоджень або заплутування.

10. Не переносьте інструмент, тримаючи за кріпильне пристосування або строп.
11. Перекладайте інструмент з однієї руки в іншу тільки перебуваючи в стійкому положенні.
12. Прикріплюючи стропа до інструмента, стежте за тим, щоб вони не перешкождали нормальній роботі захисних пристосувань, перемикачів або важелів блокування.
13. Не допускайте заплутування в стропах.
14. Тримайте строп на відстані від зони різання інструмента.
15. Використовуйте муфтований карабін (універсальний і з гвинтовим затискачем). Не використовуйте карабіни однобічної дії з пружинним фіксатором.
16. Інструмент, що впав, слід позначити, припинити його експлуатацію та відправити на завод або до авторизованого сервісного центру Makita для перевірки.
17. Прикріплюйте строп тільки за допомогою муфтованого карабіна. Не кріпіть строп, роблячи з нього петлю або зав'язуючи на вузол. Не використовуйте троси або шнури.

► **Рис.20:** 1. Отвір для стропа (страхувальний ремінь)

ТЕХНІЧНЕ ОБСЛУГОВУВАННЯ

⚠ ОБЕРЕЖНО: Перед тим як проводити огляд або технічне обслуговування інструмента, переконайтеся, що його вимкнено і від'єднано від мережі.

УВАГА: Ніколи не використовуйте газолін, бензин, розріджувач, спирт та подібні речовини. Їх використання може призвести до зміни кольору, деформації або появи тріщин.

Для забезпечення БЕЗПЕКИ та НАДІЙНОСТІ продукції, її ремонт, а також роботи з обслуговування або регулювання повинні виконуватись уповноваженими або заводськими сервісними центрами Makita із використанням запчастин виробництва компанії Makita.

Очищення вентиляційних отворів

Необхідно підтримувати чистоту інструмента та його вентиляційних отворів. Очищуйте вентиляційні отвори інструмента регулярно та щоразу, коли вони стають заблокованими.

► **Рис.21:** 1. Вихідні вентиляційні отвори 2. Вхідні вентиляційні отвори

ДОДАТКОВЕ ПРИЛАДДЯ

⚠ ОБЕРЕЖНО: Це додаткове та допоміжне обладнання рекомендовано використовувати з інструментом Makita, зазначеним у цій інструкції з експлуатації. Використання будь-якого іншого додаткового та допоміжного обладнання може становити небезпеку травмування. Використовуйте додаткове та допоміжне обладнання лише за призначенням.

У разі необхідності отримати допомогу в більш детальному ознайомленні з оснащенням звертайтеся до місцевого сервісного центру Makita.

► Рис.22

-	Модель 100 мм (4")	Модель 115 мм (4-1/2")	Модель 125 мм (5")
1	Бокова рукоятка		
2	Захисний кожух круга (для шліфувального круга)		
3	Внутрішній фланець	Внутрішній фланець / суперфланець	
4	Круг із заглибленим центром / пелюстковий диск		
5	Контргайка		
6	Підкладка		
7	Гнучкий круг		
8	Гумова підкладка 76	Гумова підкладка 100	Гумова підкладка 115
9	Абразивний диск		
10	Контргайка шліфувального диска		
11	Дискова дротяна щітка		
12	Чашоподібна дротяна щітка		
13	Захисний кожух круга (для відрізного круга) *1		
14	Абразивний відрізнний круг / алмазний диск		
-	Ключ для контргайки		
-	Пилозахисна кришка		

ПРИМІТКА: *1 У деяких країнах Європи під час використання алмазного диска замість спеціального захисного кожуха, що закриває диск з обох боків, можна використовувати звичайний захисний кожух. Дотримуйтеся норм та правил, чинних у вашій країні.

ПРИМІТКА: Деякі елементи списку можуть входити до комплекту інструмента як стандартне приладдя. Вони можуть відрізнятися залежно від країни.

ТЕХНИЧЕСКИЕ ХАРАКТЕРИСТИКИ

Модель:	GA4050	GA4050R	GA4550	GA4550R	GA5050	GA5050R
Диаметр диска	100 мм (4 дюйма)		115 мм (4-1/2 дюйма)		125 мм (5 дюйма)	
Макс. толщина диска	6,4 мм (1/4 дюйма)		7,2 мм (9/32 дюйма)			
Резьба шпинделя	M10		M14 или 5/8 дюйма			
Номинальное число оборотов (n)	11 000 мин ⁻¹					
Общая длина	325 мм					
Масса нетто	2,3–2,6 кг		2,4–2,8 кг		2,5–2,8 кг	
Класс безопасности	□/II					

- Благодаря нашей постоянно действующей программе исследований и разработок указанные здесь технические характеристики могут быть изменены без предварительного уведомления.
- Технические характеристики могут различаться в зависимости от страны.
- Масса может отличаться в зависимости от дополнительного оборудования. В таблице представлены комбинации с наибольшей и наименьшей массой в соответствии с процедурой EPTA 01/2014.

Назначение

Инструмент предназначен для шлифовки, зачистки и резки материалов из металла и камня без использования воды.

Источник питания

Данный инструмент должен подключаться к источнику питания с напряжением, соответствующим напряжению, указанному на идентификационной пластине, и может работать только от однофазного источника переменного тока. Он имеет двойную изоляцию и поэтому может подключаться к розеткам без заземления.

Шум

Типичный уровень взвешенного звукового давления (A), измеренный в соответствии с EN60745-2-3:

Модель	Уровень звукового давления (L _{рап}): (дБ (A))	Уровень звуковой мощности (L _{вмв}): (дБ (A))	Погрешность (K): (дБ (A))
GA4050	91	102	3
GA4050R	91	102	3
GA4550	91	102	3
GA4550R	91	102	3
GA5050	91	102	3
GA5050R	91	102	3

ПРИМЕЧАНИЕ: Заявленное значение распространения шума измерено в соответствии со стандартной методикой испытаний и может быть использовано для сравнения инструментов.

ПРИМЕЧАНИЕ: Заявленное значение распространения шума можно также использовать для предварительных оценок воздействия.

⚠ ОСТОРОЖНО: Используйте средства защиты слуха.

⚠ ОСТОРОЖНО: Распространение шума во время фактического использования электроинструмента может отличаться от заявленного значения в зависимости от способа применения инструмента и в особенности от типа обрабатываемой детали.

⚠ ОСТОРОЖНО: Обязательно определите меры безопасности для защиты оператора, основанные на оценке воздействия в реальных условиях использования (с учетом всех этапов рабочего цикла, таких как выключение инструмента, работа без нагрузки и включение).

Вибрация

Суммарное значение вибрации (сумма векторов по трем осям), определенное в соответствии с EN60745-2-3:

Рабочий режим: шлифование поверхности с использованием обычной боковой ручки

Модель	Распространение вибрации ($a_{hv, Aeq}$) : (m/c^2)	Погрешность (K): (m/c^2)
GA4050	6,5	1,5
GA4050R	6,5	1,5
GA4550	7,0	1,5
GA4550R	7,0	1,5
GA5050	7,5	1,5
GA5050R	7,5	1,5

Рабочий режим: шлифование поверхности с использованием антивибрационной боковой ручки

Модель	Распространение вибрации ($a_{hv, Aeq}$) : (m/c^2)	Погрешность (K): (m/c^2)
GA4050	5,5	1,5
GA4050R	5,5	1,5
GA4550	7,0	1,5
GA4550R	7,0	1,5
GA5050	8,5	1,5
GA5050R	8,5	1,5

Рабочий режим: шлифование с использованием обычной боковой ручки

Модель	Распространение вибрации ($a_{hv, Aeq}$) : (m/c^2)	Погрешность (K): (m/c^2)
GA4050	2,5 m/c^2 или менее	1,5
GA4050R	2,5 m/c^2 или менее	1,5
GA4550	2,5	1,5
GA4550R	2,5	1,5
GA5050	2,5 m/c^2 или менее	1,5
GA5050R	2,5 m/c^2 или менее	1,5

Рабочий режим: шлифование с использованием антивибрационной боковой ручки

Модель	Распространение вибрации ($a_{hv, Aeq}$) : (m/c^2)	Погрешность (K): (m/c^2)
GA4050	2,5 m/c^2 или менее	1,5
GA4050R	2,5 m/c^2 или менее	1,5
GA4550	2,5 m/c^2 или менее	1,5
GA4550R	2,5 m/c^2 или менее	1,5
GA5050	2,5 m/c^2 или менее	1,5
GA5050R	2,5 m/c^2 или менее	1,5

ПРИМЕЧАНИЕ: Заявленное общее значение распространения вибрации измерено в соответствии со стандартной методикой испытаний и может быть использовано для сравнения инструментов.

ПРИМЕЧАНИЕ: Заявленное общее значение распространения вибрации можно также использовать для предварительных оценок воздействия.

⚠ОСТОРОЖНО: Распространение вибрации во время фактического использования электроинструмента может отличаться от заявленного значения в зависимости от способа применения инструмента и в особенности от типа обрабатываемой детали.

⚠ОСТОРОЖНО: Обязательно определите меры безопасности для защиты оператора, основанные на оценке воздействия в реальных условиях использования (с учетом всех этапов рабочего цикла, таких как выключение инструмента, работа без нагрузки и включение).

⚠ОСТОРОЖНО: Заявленное значение распространения вибрации относится к основным операциям, выполняемым с помощью электроинструмента. Однако если электроинструмент используется для других целей, уровень вибрации может отличаться.

Декларация о соответствии ЕС

Только для европейских стран

Декларация о соответствии ЕС включена в руководство по эксплуатации (Приложение А).

МЕРЫ БЕЗОПАСНОСТИ

Общие рекомендации по технике безопасности для электроинструментов

⚠ОСТОРОЖНО: Ознакомьтесь со всеми представленными инструкциями по технике безопасности, указаниями, иллюстрациями и техническими характеристиками, прилагаемыми к данному электроинструменту. Несоблюдение каких-либо инструкций, указанных ниже, может привести к поражению электрическим током, пожару и/или серьезной травме.

Сохраните брошюру с инструкциями и рекомендациями для дальнейшего использования.

Термин "электроинструмент" в предупреждениях относится ко всему инструменту, работающему от сети (с проводом) или на аккумуляторах (без провода).

Правила техники безопасности при эксплуатации шлифмашины

Общие предупреждения о правилах техники безопасности при выполнении шлифования, зачистки проволочной щеткой или абразивной резки:

1. Данный электроинструмент предназначен для шлифования, зачистки проволочной щеткой и абразивной резки. Ознакомьтесь со всеми представленными инструкциями по технике безопасности, указаниями, иллюстрациями и техническими характеристиками, прилагаемыми к данному электроинструменту. Несоблюдение каких-либо инструкций, указанных ниже, может привести к поражению электрическим током, пожару и/или серьезной травме.

2. Не рекомендуется пользоваться данным инструментом для выполнения таких операций, как полировка. Использование инструмента не по прямому назначению может привести к опасной ситуации и стать причиной травмы.
3. Не используйте принадлежности других производителей, не рекомендованные производителем данного инструмента. Даже если принадлежность удастся закрепить на инструменте, это не обеспечит безопасность эксплуатации.
4. Номинальная скорость принадлежности должна быть как минимум равна максимальной скорости, обозначенной на инструменте. При превышении номинальной скорости принадлежности она может разломиться на части.
5. Внешний диаметр и толщина принадлежности должны соответствовать номинальной мощности инструмента. Принадлежности, размер которых подобран неверно, не гарантируют безопасности и точности управления.
6. Резьбовые отверстия дополнительных принадлежностей должны совпадать с резьбой шпинделя шлифмашины. Для принадлежности, устанавливаемых с помощью фланцев, отверстие для шпинделя на принадлежности должно соответствовать диаметру фланца. Принадлежности, не соответствующие монтажному креплению электроинструмента, приведут к разбалансировке, сильной вибрации и потере контроля.
7. Не используйте поврежденные принадлежности. Перед каждым использованием принадлежностей типа абразивных дисков проверяйте их на наличие сколов и трещин, проверяйте опорные фланцы на наличие трещин, задигов или чрезмерного износа, а проволочные щетки - на наличие выпавших или сломанных проволок. Если вы уронили инструмент или принадлежность, осмотрите их на предмет повреждений или установите исправную принадлежность. После осмотра и установки принадлежности встаньте в безопасном положении относительно плоскости вращения принадлежности (и проследите, чтобы это сделали окружающие) и включите инструмент на максимальной скорости без нагрузки на одну минуту. Поврежденная принадлежность обычно ломается в течение пробного периода.

8. **Надевайте индивидуальные средства защиты. В зависимости от выполняемых операций используйте защитную маску или защитные очки. При необходимости надевайте респиратор, средство защиты органов слуха, перчатки и защитный передник для защиты от небольших частиц абразивных материалов или детали.** Средства защиты органов зрения должны предохранять от летящих фрагментов, появляющихся при выполнении различных операций. Пылезащитная маска или респиратор должны обеспечивать фильтрацию пыли, возникающей во время работы. Продолжительное воздействие сильного шума может стать причиной потери слуха.
9. **Посторонние лица должны находиться на безопасном расстоянии от рабочей зоны. Любой приближающийся к рабочему месту человек должен предвзято надеть индивидуальные средства защиты.** Осколки заготовки или сломавшейся принадлежности могут разлететься и причинить травму даже на значительном удалении от рабочего места.
10. **Если при выполнении работ существует риск контакта режущего инструмента со скрытой электропроводкой или собственным шнуром питания, держите электроинструмент только за специально предназначенные изолированные рукоятки.** Контакт с проводом под напряжением может стать причиной поражения оператора током.
11. **Располагайте шнур на расстоянии от вращающейся насадки.** Если вы не удержите инструмент, возможно случайное разрезание или повреждение шнура, а также затягивание руки вращающейся принадлежностью.
12. **Не кладите инструмент, пока принадлежность полностью не остановится.** Вращающаяся насадка может коснуться поверхности, и вы не удержите инструмент.
13. **Не включайте инструмент во время переноски.** Случайный контакт с вращающейся принадлежностью может привести к защемлению одежды и притягиванию принадлежности к телу.
14. **Регулярно прочищайте вентиляционные отверстия инструмента.** Вентилятор электродвигателя засасывает пыль внутрь корпуса, а значительные отложения металлической пыли могут привести к поражению электрическим током.
15. **Не используйте инструмент вблизи горючих материалов.** Эти материалы могут воспламениться от искр.
16. **Не используйте принадлежности, требующие жидкостного охлаждения.** Использование воды или других охлаждающих жидкостей может привести к поражению электротоком.

Отдача и соответствующие предупреждения
Отдача – это мгновенная реакция на неожиданное застопоривание вращающегося диска, опорной подушки, щетки или другой принадлежности. Зажимание или застопоривание вызывает резкий останов вращающейся принадлежности, что, в свою очередь, приводит к неконтролируемому рывку инструмента в направлении, противоположном вращению принадлежности в момент застревания.

Например, если абразивный диск зажимается или прихватывается деталью, край диска, находящийся в точке заклинивания, может углубиться в поверхность детали, что приведет к выкачиванию или выскакиванию диска. Диск может совершить рывок в направлении оператора или обратно, в зависимости от направления перемещения диска в точке заклинивания. Также в этих условиях абразивные диски могут сломаться.

Отдача – это результат неправильного использования электроинструмента и/или неправильных методов или условий работ, чего можно избежать, соблюдая нижеуказанные меры предосторожности.

1. **Крепко держите электроинструмент и располагайте свое тело и руки так, чтобы можно было сопротивляться силам отдачи.** Обязательно используйте вспомогательную рукоятку (при наличии), чтобы обеспечить максимальный контроль над отдачей или крутящим моментом во время пуска. Оператор способен справиться с крутящим моментом и силами отдачи при условии соблюдения соответствующих мер безопасности.
2. **Берегите руки от вращающейся насадки.** При отдаче насадка может задеть ваши руки.
3. **Не становитесь на возможной траектории движения инструмента в случае отдачи.** При отдаче инструмент сместится в направлении, противоположном вращению диска в момент застревания.
4. **Соблюдайте особую осторожность при обработке углов, острых краев и т. п. Не допускайте ударов и застревания принадлежности.** Углы, острые края и удары способствуют прихватыванию вращающейся принадлежности, которое приводит к выходу из-под контроля или отдаче.
5. **Не устанавливайте на инструмент пильную цепь, принадлежность для резьбы по дереву или пильный диск.** Такие пилы часто дают отдачу и приводят к потере контроля.

Специальные предупреждения о безопасности для операций шлифования и абразивной резки:

1. **Используйте диски только рекомендованных для вашего электроинструмента типов и специальные защитные приспособления, разработанные для выбранного диска.** Диски, не предназначенные для данного инструмента, не обеспечивают достаточную степень защиты и небезопасны.
2. **Шлифовальная поверхность дисков с утопленным центром должна быть установлена под плоской поверхностью кромки кожаной.** Для неправильно установленного диска, выступающего над плоской поверхностью кромки кожаной, надлежащая защита не гарантируется.
3. **Ограждение должно быть надежно закреплено на инструменте и расположено для обеспечения максимальной защиты таким образом, чтобы как можно меньший сегмент диска выступал наружу.** Кожух помогает обезопасить оператора от разлета осколков разрушившегося диска, случайного прикосновения к диску и искр, которые могут воспламенить одежду.

4. **Диски должны использоваться только по рекомендованному назначению.** Например: не шлифуйте краем отрезного диска. Абразивные отрезные диски предназначены для периферийного шлифования, и боковые усилия, приложенные к таким дискам, могут вызвать их разрушение.
5. **Обязательно используйте неповрежденные фланцы для дисков соответствующего размера и формы.** Подходящие фланцы поддерживают диск, снижая вероятность его повреждения. Фланцы для отрезных дисков могут отличаться от фланцев для шлифовальных дисков.
6. **Не используйте изношенные диски от более крупных электроинструментов.** Диски, предназначенные для более мощного электроинструмента, не подходят для высокооборотного электроинструмента меньшей мощности и могут разломиться.

Дополнительные специальные предупреждения о безопасности для операций абразивной резки:

1. **Не “заклинивайте” отрезной диск и не прикладывайте к нему чрезмерное давление.** Не пытайтесь делать слишком глубокий разрез. Перенапряжение диска увеличивает нагрузку и вероятность искривления или застревания диска в прорези, а также отдачи или поломки диска.
2. **Не становитесь на возможной траектории движения вращающегося диска и позади него.** Если во время работы диск движется от вас, то при отдаче вращающийся диск и инструмент может отбросить прямо на вас.
3. **Если диск застревает или процесс резания прерывается по другой причине, выключите электроинструмент и держите его неподвижно до полной остановки диска.** Не пытайтесь извлечь отрезной диск из разреза до полной остановки диска, в противном случае может возникнуть отдача. Выясните и устранили причину застревания диска.
4. **Не перезапускайте отрезной диск, пока он находится в детали.** Дождитесь, пока диск разовьет максимальную скорость, и осторожно погрузите его в разрез. Диск может застрять, отдача может отбросить его вверх или назад, если перезапустить электроинструмент непосредственно в детали.
5. **Устанавливайте опоры под панели или большие детали, чтобы уменьшить риск застревания диска и возникновения отдачи.** Большие детали имеют тенденцию к прогибанию под собственным весом. При резании таких панелей необходимо поместить опоры под разрезаемую деталью рядом с линией разреза и рядом с краем детали с обеих сторон диска.
6. **Будьте особенно осторожны при выполнении врезки в существующих стенах или на других участках, недоступных для осмотра.** Выступающая часть диска может перерезать газовые или водопроводные трубы, электропроводку или детали, что может вызвать отдачу.

Специальные инструкции по технике безопасности для выполнения операций шлифовки:

1. **Не пользуйтесь наждачной бумагой слишком большого размера.** При выборе наждачной бумаги следуйте рекомендациям производителя. Большие размеры наждачной бумаги, выступающей за края подложки, могут привести к разрыву бумаги, застреванию, разрушению круга или отдаче.

Специальные инструкции по технике безопасности, относящиеся к операциям очистки проволочной щеткой:

1. **Берегитесь проволок, которые разлетаются от щетки даже в нормальном режиме работы.** Не прикладывайте чрезмерное усилие на проволоку, слишком сильно нажимая на щетку. Проволока щетки может легко пробить одежду и/или кожу.
2. **Если для работы по очистке проволочными щетками рекомендуется использовать кожан, не допускайте контакта проволочного диска или щетки с кожей.** Проволочный диск или щетка могут увеличиваться в диаметре под воздействием нагрузки и центробежных сил.

Дополнительные правила техники безопасности:

1. **При применении дисков с утопленным центром используйте только диски, армированные стекловолокном.**
2. **ЗАПРЕЩАЕТСЯ ИСПОЛЬЗОВАТЬ** с этим инструментом шлифовальные чашки для камня. Данная шлифмашина не предназначена для дисков такого типа, их использование может привести к тяжелой травме.
3. **Будьте осторожны во избежание повреждения шпинделя, фланца (особенно его установочной поверхности) или контргайки.** Повреждения этих деталей могут привести к поломке диска.
4. **Перед включением выключателя убедитесь, что диск не касается детали.**
5. **Перед использованием инструмента на реальной детали дайте ему немного поработать вхолостую.** Следите за вибрацией или биением, которые могут свидетельствовать о неправильной установке или плохой балансировке диска.
6. **Для выполнения шлифования пользуйтесь соответствующей поверхностью диска.**
7. **Не оставляйте работающий инструмент без присмотра.** Включайте инструмент только тогда, когда он находится в руках.
8. **Сразу после окончания работ не прикасайтесь к обработанной детали.** Она может быть очень горячей, что приведет к ожогам кожи.
9. **Сразу после окончания работ не прикасайтесь к вспомогательным деталям.** Они могут быть очень горячими, что приведет к ожогам кожи.
10. **Соблюдайте инструкции изготовителя по правильной установке и использованию дисков.** Бережно обращайтесь с дисками и аккуратно храните их.

11. Не пользуйтесь отдельными переходными втулками или адаптерами для крепления абразивных дисков с большими отверстиями.
12. Пользуйтесь только фланцами, предназначенными для данного инструмента.
13. Для инструментов, предназначенных для использования дисков с резьбовым отверстием, убедитесь, что резьба диска достаточна, чтобы диск можно было полностью завернуть на шпиндель.
14. Убедитесь, что обрабатываемая деталь имеет надлежащую опору.
15. Обратите внимание на то, что диск будет некоторое время вращаться после выключения инструмента.
16. Если в месте выполнения работ очень высокая температура и влажность или наблюдается большое количество токопроводящей пыли, используйте прерыватель цепи (30 мА) для обеспечения безопасности работ.
17. Не используйте инструмент на любых материалах, содержащих асбест.
18. При использовании отрезного диска, всегда работайте с защитным кожухом с патрубком для удаления пыли, установка которого необходима в соответствии с местными нормативными требованиями.
19. Не подвергайте отрезные круги какому-либо боковому давлению.
20. Не пользуйтесь тканевыми перчатками во время работы. Волокна от тканевых перчаток могут попасть в инструмент и привести к его поломке.

СОХРАНИТЕ ДАННЫЕ ИНСТРУКЦИИ.

⚠ ОСТОРОЖНО: НЕ ДОПУСКАЙТЕ, чтобы удобство или опыт эксплуатации данного устройства (полученный от многократного использования) доминировали над строгим соблюдением правил техники безопасности при обращении с этим устройством. **НЕПРАВИЛЬНОЕ ИСПОЛЬЗОВАНИЕ** инструмента или несоблюдение правил техники безопасности, указанных в данном руководстве, может привести к тяжелой травме.

ОПИСАНИЕ РАБОТЫ

⚠ ВНИМАНИЕ: Перед регулировкой или проверкой функций инструмента обязательно убедитесь, что он выключен и его вилка вынута из розетки.

Фиксатор вала

Нажмите на фиксатор вала для предотвращения вращения шпинделя при установке или снятии дополнительных принадлежностей.

► **Рис.1:** 1. Фиксатор вала

ПРИМЕЧАНИЕ: Никогда не задействуйте фиксатор вала при вращающемся шпинделе. Это может привести к повреждению инструмента.

Действие выключателя

⚠ ВНИМАНИЕ: Перед включением инструмента в розетку обязательно убедитесь, что триггерный переключатель работает надлежащим образом и возвращается в положение "ВЫКЛ", если его отпустить.

⚠ ВНИМАНИЕ: Не пытайтесь прижать рычажный выключатель к рукоятке с силой, не нажав кнопку разблокировки. Выключатель может сломаться.

Для предотвращения случайного нажатия рычаг переключателя оборудован рычагом блокировки в выключенном положении. Для включения инструмента потяните рычаг блокировки в выключенном положении на себя и нажмите рычаг переключателя. Для выключения инструмента отпустите рычаг переключателя.

► **Рис.2:** 1. Рычаг блокировки в выключенном положении 2. Рычаг переключателя

Защита от случайного включения

Только для модели GA4050R / GA4550R / GA5050R

При нажатии рычага переключателя инструмент не включится, даже если он подключен к электросети. Для включения инструмента предварительно отпустите рычаг переключателя. Затем потяните рычаг блокировки в выключенном положении, после этого – рычаг переключателя.

ПРИМЕЧАНИЕ: Подождите минимум одну секунду, прежде чем запустить инструмент при включенной функции защиты от случайного включения.

Функция плавного запуска

Только для модели GA4050R / GA4550R / GA5050R

Функция плавного запуска снижает начальный рывок инструмента.

СБОРКА

⚠ВНИМАНИЕ: Перед проведением каких-либо работ с инструментом обязательно проверьте, что инструмент выключен, а шнур питания вынут из розетки.

Установка боковой ручки (рукоятки)

⚠ВНИМАНИЕ: Перед работой всегда проверяйте надежность крепления боковой ручки.

Прочно закрепите боковую ручку на месте винтом, как показано на рисунке.

► Рис.3

Установка или снятие кожуха диска

⚠ОСТОРОЖНО: При использовании диска с утопленным центром, откидного круга, гибкого диска или дисковой проволочной щетки установите защитный кожух так, чтобы закрытая сторона кожуха была направлена к оператору.

⚠ОСТОРОЖНО: Убедитесь в том, что кожух диска надежно зафиксирован стопорным рычагом в одном из отверстий на кожухе диска.

⚠ОСТОРОЖНО: При использовании абразивного отрезного диска/алмазного диска может применяться только специальный защитный кожух, предназначенный для отрезных дисков.

(В некоторых странах Европы при использовании алмазного диска можно применять обычный кожух. Соблюдайте требования нормативов, действующих в вашей стране.)

Для диска с утопленным центром, откидного круга, гибкого диска, дисковой проволочной щетки / абразивного отрезного диска, алмазного диска

1. Удерживая нажатым стопорный рычаг, установите кожух диска, совместив выступы на кожухе диска с пазами на корпусе подшипника.

► Рис.4: 1. Стопорный рычаг 2. Паз 3. Выступ

2. Удерживая стопорный рычаг нажатым в направлении А, прижмите кожух диска в точках В, как показано на рисунке.

► Рис.5: 1. Кожух диска 2. Отверстие

ПРИМЕЧАНИЕ: Надавите на кожух диска в направлении вперед. В противном случае вы не сможете полностью вставить кожух диска.

3. Удерживая нажатым стопорный рычаг, поверните кожух диска в направлении С, после чего измените угол кожуха диска в зависимости от выполняемой работы, чтобы обеспечить защиту оператора. Совместите стопорный рычаг с одним из отверстий в кожухе диска, после чего отпустите стопорный рычаг, чтобы заблокировать кожух диска.

► Рис.6: 1. Кожух диска 2. Отверстие

Для снятия кожуха диска выполните процедуру установки в обратном порядке.

Установка и снятие диска с утопленным центром или откидного круга

Дополнительные принадлежности

⚠ОСТОРОЖНО: При использовании диска с утопленным центром или откидного круга кожух диска должен быть установлен так, чтобы его закрытая сторона была обращена к оператору.

⚠ВНИМАНИЕ: Убедитесь, что крепежный компонент внутреннего фланца идеально совпадает с внутренним диаметром диска с утопленным центром/откидного круга. Установка внутреннего фланца не с той стороны может привести к возникновению опасной вибрации.

Установите на шпindelь внутренний фланец. Убедитесь, что часть с выемкой внутреннего фланца установлена на ровный участок у нижней части шпинделя. Установите диск с утопленным центром/откидного круга на внутренний фланец и закрутите контргайку на шпинделе.

► Рис.7: 1. Контргайка 2. Диск с утопленным центром 3. Внутренний фланец 4. Крепежный компонент

Для затяжки контргайки сильно надавите на фиксатор вала, чтобы шпindelь не проворачивался, затем воспользуйтесь ключом контргайки и крепко затяните ее по часовой стрелке.

► Рис.8: 1. Ключ контргайки 2. Фиксатор вала

Для снятия диска выполните процедуру установки в обратном порядке.

Установка и снятие гибкого диска

Дополнительные принадлежности

⚠ОСТОРОЖНО: При установке на инструмент гибкого диска обязательно используйте прилагаемый кожух. Во время работы диск может разрушиться. Защитный кожух снизит риск получения травмы.

► Рис.9: 1. Контргайка 2. Гибкий диск 3. Вспомогательная подушка 4. Внутренний фланец

Следуйте указаниям для диска с утопленным центром, а также установите над диском вспомогательную подушку. Порядок сборки дополнительных принадлежностей см. на соответствующей странице данного руководства.

Установка или снятие абразивного круга

Дополнительные принадлежности

Модель 100 мм (4 дюйма)

► Рис.10: 1. Шлифовальная контргайка 2. Абразивный круг 3. Резиновая подушка 4. Внутренний фланец

1. Установите на шпindelь внутренний фланец.
2. Установите резиновую подушку на шпindelь.
3. Установите круг на резиновую подушку и наверните на шпindelь шлифовальную контргайку.
4. Закрепите шпindelь с помощью фиксатора вала и надежно затяните шлифовальную контргайку по часовой стрелке с помощью ключа.

Для модели 115 мм (4 - 1/2 дюйма)/ 125 мм (5 дюймов)

- **Рис.11:** 1. Шлифовальная контргайка
2. Абразивный круг 3. Резиновая подушка

1. Установите резиновую подушку на шпиндель.
2. Установите круг на резиновую подушку и наверните на шпиндель шлифовальную контргайку.
3. Закрепите шпиндель с помощью фиксатора вала и надежно затяните шлифовальную контргайку по часовой стрелке с помощью ключа.

Для снятия круга выполните процедуру установки в обратном порядке.

ПРИМЕЧАНИЕ: Используйте принадлежности для шлифования, указанные в данном руководстве. Их необходимо приобретать отдельно.

ЭКСПЛУАТАЦИЯ

▲ОСТОРОЖНО: Никогда не прилагайте к инструменту чрезмерные усилия. Вес инструмента обеспечивает достаточное давление. Чрезмерное усилие и давление могут привести к опасному разрушению диска.

▲ОСТОРОЖНО: ОБЯЗАТЕЛЬНО замените диск, если при шлифовании инструмент упал.

▲ОСТОРОЖНО: ЗАПРЕЩАЕТСЯ стучать и бить шлифовальным кругом по обрабатываемой детали.

▲ОСТОРОЖНО: Избегайте подпрыгивания и зацепления диска, особенно при обработке углов, острых краев и т. д. Это может привести к потере контроля и отдаче.

▲ОСТОРОЖНО: Запрещается использовать инструмент с полотнами для обработки дерева или другими пыльными дисками. При использовании на шлифмашине такие диски часто выскакивают, выходят из-под контроля и приводят к травмам.

▲ОСТОРОЖНО: Продолжительное использование изношенного диска может привести к его разрушению и серьезной травме.

▲ВНИМАНИЕ: Запрещается включать инструмент, если он касается обрабатываемого изделия. Это может стать причиной травмы оператора.

▲ВНИМАНИЕ: Во время выполнения операции всегда надевайте защитные очки или защитную маску.

▲ВНИМАНИЕ: После работы всегда отключайте инструмент и дождитесь полной остановки диска перед тем, как положить инструмент.

▲ВНИМАНИЕ: ВСЕГДА крепко держите инструмент, положив одну руку на корпус, а вторую - на боковую ручку (рукоятку).

Выполнение работ с диском / кругом

► Рис.12

Включите инструмент, а затем прижмите диск или круг к обрабатываемой детали. Обычно следует держать край диска или круга под углом около 15 градусов относительно поверхности обрабатываемой детали. В период приработки нового диска не перемещайте шлифмашину вперед, поскольку диск может врезаться в обрабатываемую деталь. После того как кромка диска закруглится от использования, можно будет перемещать его в обоих направлениях (вперед и назад).

Выполнение работ с абразивным отрезным/алмазным диском

Дополнительные принадлежности

▲ОСТОРОЖНО: При использовании абразивного отрезного диска/алмазного диска может применяться только специальный защитный кожух, предназначенный для отрезных дисков.

(В некоторых странах Европы при использовании алмазного диска можно применять обычный кожух. Соблюдайте требования нормативов, действующих в вашей стране.)

▲ОСТОРОЖНО: ЗАПРЕЩАЕТСЯ использовать отрезной диск для шлифовки боковой поверхностью.

▲ОСТОРОЖНО: Не “заклинивайте” диск и не оказывайте на него чрезмерное давление. Не пытайтесь делать слишком глубокий разрез. Чрезмерное давление на диск увеличивает нагрузку и вероятность искривления или застревания диска в прорези, а также возможность отдачи, поломки диска и перегрева электродвигателя.

▲ОСТОРОЖНО: Не запускайте отрезной диск, пока он находится в детали. Дайте диску раскрутиться до максимальной скорости, а затем осторожно введите в разрез, перемещая инструмент вперед по поверхности обрабатываемой детали. Диск может застрять, отдача может отбросить его вверх или назад, если запустить электринструмент, когда диск находится в детали.

▲ОСТОРОЖНО: Во время операций резания нельзя менять угол наклона диска. Боковое давление на отрезной диск (как при шлифовке) приводит к растрескиванию и разрушению диска, в результате чего возможны серьезные травмы.

▲ОСТОРОЖНО: Работы с алмазным диском необходимо выполнять, удерживая его перпендикулярно рабочей поверхности.

- **Рис.13:** 1. Контргайка 2. Абразивный отрезной диск/алмазный диск 3. Внутренний фланец 4. Защитный кожух для абразивного отрезного диска/алмазного диска

Сведения по установке см. в инструкциях к диску с утопленным центром.

Направление установки контргайки и внутреннего фланца зависит от толщины и типа диска. Придерживайтесь следующих значений.

Модель 100 мм (4 дюйма)

При установке абразивного отрезного диска:

- **Рис.14:** 1. Контргайка 2. Абразивный отрезной диск (тоньше 4 мм (5/32 дюйма)) 3. Абразивный отрезной диск (4 мм (5/32 дюйма) или толще) 4. Внутренний фланец

При установке алмазного диска:

- **Рис.15:** 1. Контргайка 2. Алмазный диск (тоньше 4 мм (5/32 дюйма)) 3. Алмазный диск (4 мм (5/32 дюйма) или толще) 4. Внутренний фланец

Для модели 115 мм (4 - 1/2 дюйма)/ 125 мм (5 дюймов)

При установке абразивного отрезного диска:

- **Рис.16:** 1. Контргайка 2. Абразивный отрезной диск (тоньше 4 мм (5/32 дюйма)) 3. Абразивный отрезной диск (4 мм (5/32 дюйма) или толще) 4. Внутренний фланец

При установке алмазного диска:

- **Рис.17:** 1. Контргайка 2. Алмазный диск (тоньше 4 мм (5/32 дюйма)) 3. Алмазный диск (4 мм (5/32 дюйма) или толще) 4. Внутренний фланец

Операции с чашечной проволочной щеткой

Дополнительные принадлежности

ВНИМАНИЕ: Проверьте работу щетки, запустив инструмент на холостом ходу, предварительно убедившись, что никто не находится перед ним или на одной линии со щеткой.

ВНИМАНИЕ: Не используйте поврежденную или разбалансированную щетку. Использование поврежденной щетки может увеличить опасность получения травм от контакта с проволокой.

- **Рис.18:** 1. Чашечная проволочная щетка

Отключите инструмент от питания и расположите его дисковой частью вверх, что позволит легко получить доступ к шпинделю.

Снимите со шпинделя все дополнительные принадлежности. Наверните проволочную чашечную щетку на шпиндель и затяните прилагаемым ключом.

ПРИМЕЧАНИЕ: Не прилагайте слишком большое давление, так как оно может привести к тому, что проволока погнется во время использования щетки. Это может стать причиной преждевременной поломки.

Работа с дисковой проволочной щеткой

Дополнительные принадлежности

ВНИМАНИЕ: Проверьте работу дисковой проволочной щетки, запустив инструмент на холостом ходу и предварительно убедившись, что никто не находится перед ним или на одной линии с дисковой проволочной щеткой.

ВНИМАНИЕ: Не используйте поврежденную или разбалансированную дисковую проволочную щетку. Использование поврежденной дисковой проволочной щетки может увеличить риск получения травм от контакта с проволокой.

ВНИМАНИЕ: При работе с дисковой проволочной щеткой ВСЕГДА используйте защитный кожух, убедившись, что диаметр диска соответствует внутреннему диаметру кожуха. Во время работы диск может разрушиться. Защитный кожух снизит риск получения травмы.

- **Рис.19:** 1. Дисковая проволочная щетка

Отключите инструмент от питания и расположите его дисковой частью вверх, что позволит легко получить доступ к шпинделю.

Снимите со шпинделя все дополнительные принадлежности. Установите дисковую проволочную щетку на шпиндель и затяните ее с помощью ключей.

ПРИМЕЧАНИЕ: Не прилагайте слишком большое давление, так как оно может привести к тому, что проволока погнется во время использования дисковой проволочной щетки. Это может стать причиной преждевременной поломки.

Подсоединение стропа (страховочного ремня)

Инструкции по технике безопасности работ на высоте

Ознакомьтесь со всеми предупреждениями и инструкциями по технике безопасности. Несоблюдение требований предупреждений и инструкций может привести к серьезным травмам.

1. При выполнении работ на высоте всегда используйте страховочный ремень для фиксации инструмента. Максимальная длина стропа составляет 2 м. Максимальная допустимая высота падения для стропа (страховочного ремня) не должна превышать 2 м.
2. Используйте только стропы, подходящие для инструмента этого типа и рассчитанные как минимум на 4,0 кг.
3. Не прикрепляйте строп инструмента к элементам одежды или к подвижным деталям. Прикрепите строп инструмента к жесткой конструкции, которая может выдержать вес падающего инструмента.
4. Перед использованием убедитесь в том, что строп надежно закреплен со всех концов.

5. Проверьте инструмент и строп перед каждым использованием на предмет исправности и отсутствия повреждений (включая состояние ткани и швов). Не используйте в случае повреждения или неисправности. Инструмент подлежит ремонту особенно в том случае, если вокруг отверстия для стропа появилась трещина или красная линия.
6. Не оборачивайте стропы вокруг предметов с острыми или зазубренными краями и не допускайте соприкосновения стропов с такими предметами.
7. Прикрепите другой конец стропа за пределами рабочей зоны таким образом, чтобы падающий инструмент надежно фиксировался.
8. Прикрепите строп таким образом, чтобы в случае падения инструмент двигался в противоположном от оператора направлении. Упавшие инструменты будут раскачиваться на стропе, что может привести к травме или потере баланса.
9. Не использовать вблизи движущихся частей или работающего оборудования. Несоблюдение этого требования может привести к механическим повреждениям или запутыванию.
10. Не переносите инструмент, держа за крепкое приспособление или строп.
11. Переключайте инструмент из одной руки в другую только находясь в устойчивом положении.
12. Прикрепляя стропы к инструменту, следите за тем, чтобы они не препятствовали нормальной работе защитных приспособлений, переключателей или рычагов блокировки.
13. Не допускайте запутывания в стропе.
14. Держите строп на расстоянии от зоны резания инструмента.
15. Используйте муфтованный карабин (универсальный и с винтовым зажимом). Не используйте карабины одностороннего действия с пружинным фиксатором.
16. Если инструмент упал, его следует поместить, прекратить его эксплуатацию и отправить на завод или в авторизованный сервисный центр Makita для проверки.
17. Прикрепляйте строп только с помощью муфтованного карабина. Не крепите строп, делая из него петлю или завязывая на узел. Не используйте тросы или шнуры.

► **Рис.20:** 1. Отверстие для стропа (страховочный ремень)

ОБСЛУЖИВАНИЕ

▲ВНИМАНИЕ: Перед проверкой или проведением техобслуживания убедитесь, что инструмент выключен, а штекер отсоединен от розетки.

ПРИМЕЧАНИЕ: Запрещается использовать бензин, растворители, спирт и другие подобные жидкости. Это может привести к обесцвечиванию, деформации и трещинам.

Для обеспечения БЕЗОПАСНОСТИ и НАДЕЖНОСТИ оборудования ремонт, любое другое техобслуживание или регулировку необходимо производить в уполномоченных сервис-центрах Makita или сервис-центрах предприятия с использованием только сменных частей производства Makita.

Очистка вентиляционного отверстия

Инструмент и его вентиляционные отверстия должны содержаться в чистоте. Производите регулярную очистку вентиляционных отверстий инструмента или очищайте их в случае засорения.

► **Рис.21:** 1. Вытяжное отверстие 2. Впускное вентиляционное отверстие

ДОПОЛНИТЕЛЬНЫЕ ПРИНАДЛЕЖНОСТИ

⚠ ВНИМАНИЕ: Данные принадлежности или приспособления рекомендуются для использования с инструментом Makita, указанным в настоящем руководстве. Использование других принадлежностей или приспособлений может привести к получению травмы. Используйте принадлежность или приспособление только по указанному назначению.

Если вам необходимо содействие в получении дополнительной информации по этим принадлежностям, свяжитесь с вашим сервис-центром Makita.

► Рис.22

-	Модель 100 мм (4 дюйма)	Модель 115 мм (4-1/2 дюйма)	Модель 125 мм (5 дюймов)
1	Боковая ручка		
2	Кожух диска (для шлифовального диска)		
3	Внутренний фланец	Внутренний фланец / суперфланец	
4	Диск с утолщенным центром/откидной круг		
5	Контргайка		
6	Вспомогательная подушка		
7	Гибкий диск		
8	Резиновая подушка 76	Резиновая подушка 100	Резиновая подушка 115
9	Абразивный круг		
10	Шлифовальная контргайка		
11	Дисковая проволочная щетка		
12	Чашечная проволочная щетка		
13	Кожух диска (для отрезного диска) *1		
14	Абразивный отрезной диск / алмазный диск		
-	Ключ контргайки		
-	Пылезащитная крышка		

ПРИМЕЧАНИЕ: *1 В некоторых странах Европы при использовании алмазного диска можно использовать обычный кожух вместо специального, закрывающего обе стороны диска. Соблюдайте требования нормативов, действующих в вашей стране.

ПРИМЕЧАНИЕ: Некоторые элементы списка могут входить в комплект инструмента в качестве стандартных приспособлений. Они могут отличаться в зависимости от страны.

Makita Europe N.V. Jan-Baptist Vinkstraat 2,
3070 Kortenberg, Belgium

Makita Corporation 3-11-8, Sumiyoshi-cho,
Anjo, Aichi 446-8502 Japan

www.makita.com

885732A969 EN, SL, SQ, BG, HR, MK, SR, RO, UK, RU 20200626
--