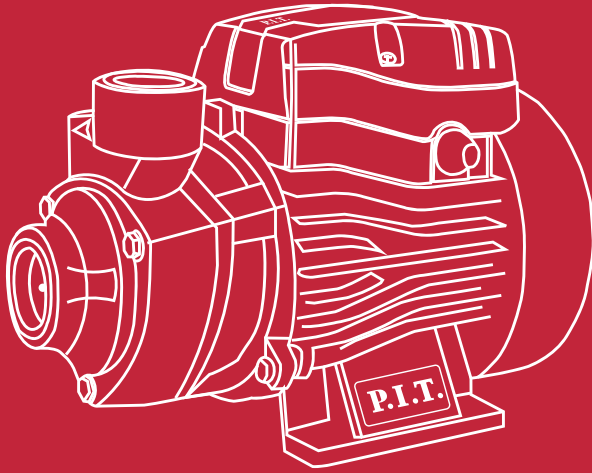


# P.I.T.

POG370-P



**SELF-PRIMING PUMP**

ПОВЕРХНОСТНЫЙ НАСОС

**370W**

**Powerful  
Efficient**

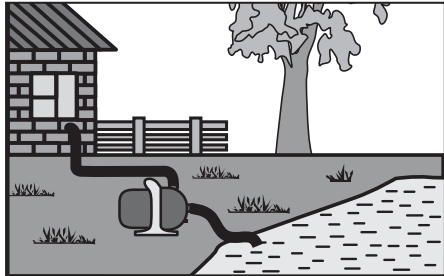
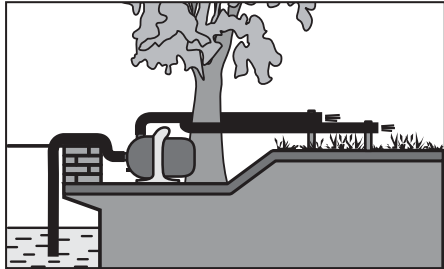
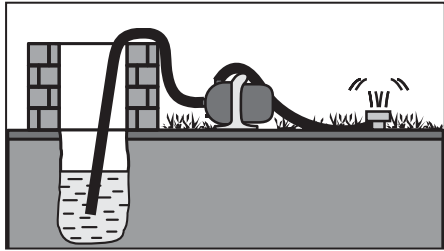
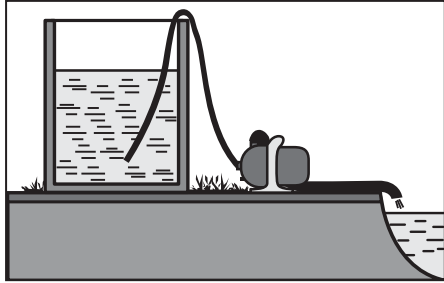
Please read the instruction manual carefully before use!

Пожалуйста, внимательно прочтите инструкцию перед использованием!

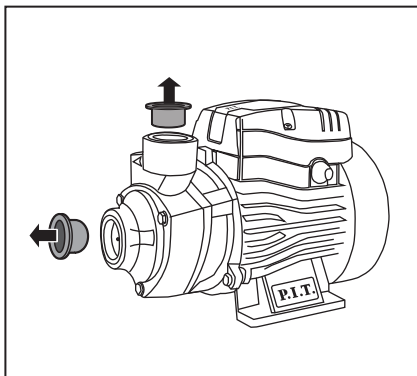




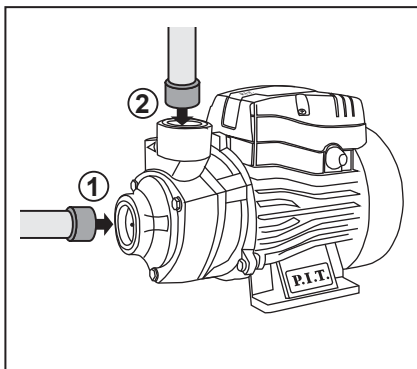
1. Использование насоса



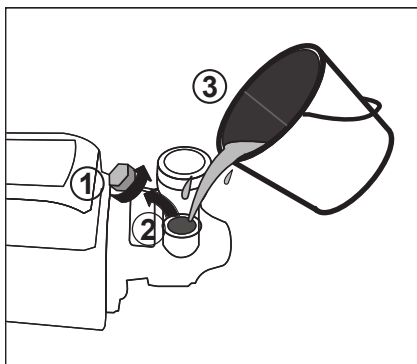
**2. Удаление  
транспортных заглушек**

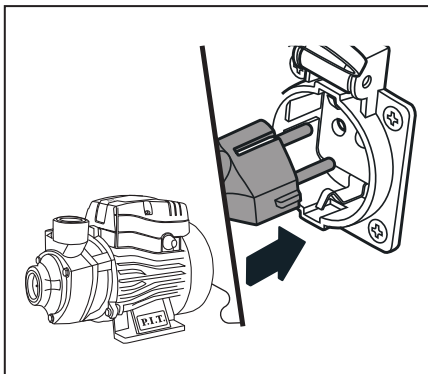
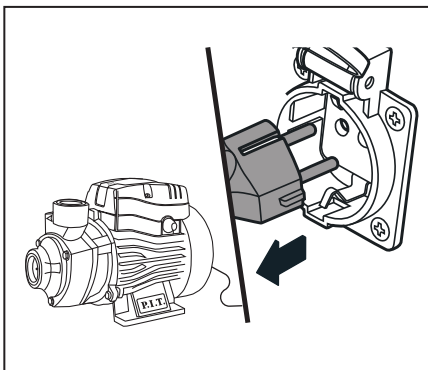


**3. Установка шлангов  
для перекачки воды**



**4. Заполнение насоса водой**



**5. Включение изделия****6. Выключение изделия**

**English  
Safety Instructions****General power tool safety warnings**

**WARNING** Read all safety warnings and all instructions.

Failure to follow the warnings and instructions may result in electric shock, fire and/or serious injury.

**Retain these instructions and directions for future use.**

- ▶ Do not use the product without protective earth!
- ▶ Installing a protective device switching (RCD) rated current Leakage 30 mA required!
- ▶ Installation of the product and electrical sockets for connecting it to the cables must perform qualitrained specialists electrical work.
- ▶ To avoid accidents, it is strictly forbidden to produce drive any repair / service living work on equipment without disconnecting it from the electrical networks.

**WARNING!**

- ▶ Operation of the surface pump "in dry (without water) is not allowed.
- ▶ Do not allow air to enter into the suction line.
- ▶ Temperature of the pumped liquid must be between + 1 ° C and + 35 ° C.

**Important!**

- ▶ Installation of electrical equipment for product connections must be complete qualified specialists electricians and plumbing work.
- ▶ Voltage fluctuation in electricity network must not exceed  $\pm 10\%$ .
- ▶ Do not repair or disassemble due to do it yourself.

**Electrical safety**

**ATTENTION!** If the instructions are not followed Niy on safety precautions there is no danger of electric shock current.

- ▶ Before starting work with the device, believe the power cord and plug plug for damage.
- ▶ All electrical connections must be be protected from flooding place.
- ▶ Unsuitable electrical extension whether they can be dangerous. Outside premises should only be used to approved for use and appropriately marked electrical tritic extension cords with sufficient cross-section of the wire.
- ▶ Do not use the mains power cable for

transportation or fixation device.

- ▶ When disconnecting the device from the power supply pull the plug plug, not the cable.
- ▶ Make sure that the power cable is did not get pinched or rubbed against sharp the edges.
- ▶ Install the device in a rack and overflow-protected position.
- ▶ Mains voltage must correspond to to the voltage specified in the technical technical characteristics.
- ▶ Protect the device from rain and moisture. Penetration of water into the device increases There is no risk of electric shock. com.
- ▶ Do not direct the water jet directly directly to the pump or other electrical sky nodes. Life-threatening - possible but electric shock.
- ▶ Do not use the pump as a submersible whine pump.
- ▶ When using the pump near a swimming pools, garden ponds or fountains observe the minimum distance 2 m and protect the device from slipping into the water.
- ▶ If the pool or garden pond is people walk, it is prohibited to use pump.
- ▶ Electrical connections must be be filled only by qualified electrician.

**Personal safety**

- ▶ For the safety of persons under the age of 16 years, as well as persons who have not familiarized themselves with this manual must not be start up before working with the device.
- ▶ The pump is not intended for use handicapped persons mental or mental abilities or if the user has no experience and knowledge, if it is not under control and not instructed on use of the device by a person from responsible for safety.
- ▶ It is prohibited to operate and maintain live the pump while being able to severe fatigue, alcoholic, narcat intoxication or under the influence the presence of potent copper Qing drugs.
- ▶ Children and pets must not stay near the pump while it is work. Make sure that children do not played with the device.

**Safety instructions****when working with the pump**

- ▶ Any use of the pump with impaired he considers the rules of its operation misuse.
- ▶ For damage resulting from the use of

misuse, the answer is only the user is responsible.

- ▶ The pump is not intended for professional use.local or industrial use vania. Long-term nondiscontinuous use.
- ▶ Unauthorized introduction of changes in the design of the pump, as well as the same use of parts that did not pass their tests and not approved for manufacturer's application.
- ▶ Do not pump explosive dangerous, flammable, aggressive or substances hazardous to health, as well as water containing mechanical mixtures in the form of sand, stones, etc.
- ▶ The pump is not suitable for pumping chlorine-containing water in the floating swimming pools.
- ▶ Not recommended for pumping drinking water.
- ▶ When starting up the pump for the first time, ensure its complete filling during doy. it is not allowed to operate the pump without water consumption.
- ▶ Do not allow air to enter suction line.
- ▶ To avoid freezing, you must completely drain the water from the pump, as well as the same suction and pressure mains lei.

**Description of product and services**



**Read all directions and instructions. safety instructions.**

Non-observance of the safety instructions danger and instructions may result in electric shock, fire and / or serious injury. Please observe the illustrations in the beginning of the instruction manual.

**Intended use**

The surface pump is designed for pumping clean water when draining reservoirs and reservoirs, organizing water intake from a depth (wells, wells) and supplying it to a height, using it in aeration and drainage systems for a limited period of time.

**Product features**

The numbering of the product features refers to the diagram of the power tool on the graphics page.

1. Pumping part
2. Engine
3. Engine start block
4. Entrance hole
5. Outlet hole
6. Filling hole

**Technical data**

| Model           | POG370-P     |
|-----------------|--------------|
| Rated voltage   | 220 V~/50 Hz |
| Rated power     | 370 W        |
| Max.flow        | 1.8 m³/h     |
| Max.head        | 30 m         |
| Outlet diameter | Ø25 mm       |
| The weight      | 3.75 Kg      |

**Contents of delivery**

- Self-priming Pump 1 pc
- Instruction manual 1 pc

**Note**

In text and numbers, may technical errors and mistakes be made chat rooms. As the product is constantly being improved, P.I.T. reserves the right to make changes to the specifications and equipment of the product specified here without prior notice.

**Installation**

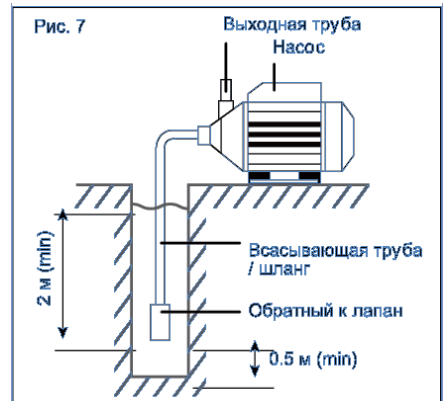
The pump must be on a horizontal flat surface, designed for weight pump filled with water.

To avoid vibrations, the pump must not wives be screwed hard, he must installed on an elastic backing.

The installation site must be well ventilated. hang out and be protected from the atmosphere impacts.

Install the pump so that the rotor was located strictly horizontally.

Any other position is significantly reduced zit its productivity (up to 30%) and will shorten the service life.



**Suction line connection**

Attention! The suction line must mounted in such a way that it did not provide any mechanical action or stress on the pump.

Attention! This model is equipped with a direct coarse filter.

Attention! So that water does not flow out of the switched on pump, it is imperative install on suction pipe non-return valve (not included in the scope of delivery)

Included all threaded connections must be sealed with gaskets body tape. Through leaky mea hundred, air is sucked in, in as a result of which the water is being sucked in.

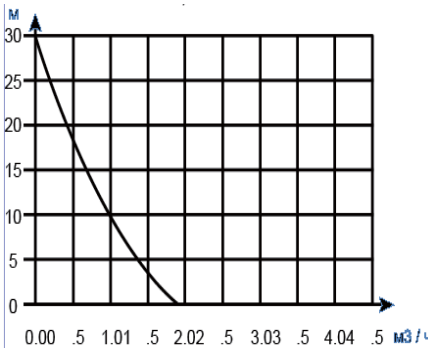
The suction line must have an internal trenny diameter not less than 1 "(25mm).

must be resistant to creases and vacuum mu.

The suction line must be so short. as much as possible, since with an increase in the length of the line, The feeding power is increased.

The suction line must constantly rise towards the pump, in order to prevent the occurrence of air pockets.

Adequate support must be ensured. water, and the end of the suction line should always be in the water.



## Pressure pipe connection water

Attention! The discharge pipeline must wives mounted in such a way that would he not provide any mechanical impact or stress on the pump.

All threaded connections must be sealed with gaskets tape to prevent leakage ku water.

All parts of the discharge pipeline must us to withstand the pressure, their installation is carried out is carried out by qualified special-ists sheets.

Danger! In the presence of fragile dehoists and improper installation the discharge line may burst during operation. Tearing out under fluid pressure can injure whack you!

To reduce vibration and noise, the pump must be connected to the pipeline network using elastic connectors hoses.

Electrical connection and land

- Electrical work, installation of roplugs. Fus-

es and connection to

- The supply mains must comply qualified electrician.
- The pump may only be connected to outlets with protective contact that properly installed, earthed lena and verified.

## Exploitation

### Before starting work:

- Check the parameters of the power supply networks. They must match given indicated on the engine.
- After electrical connection, the engine start block must be tight but closed to avoid getting into th moisture.
- Check the correct installation of the suction supply and pressure lines.

### Filling with water:

- Unscrew the filter cover 7 and screw 14 (for air release)
- Fill the suction pipe with water and pumping part through the filter hole
- After the water fills the pumping station part, displacing air from it, close drainer.

## Running

- Insert the plug into the socket
- Open the discharge line, turn new water tap or nozzle to air could escape during suction
- Turn on the pump
- If the water comes out evenly, the pump is for use
- After finishing work, turn off the with switch

**ATTENTION!** Risk of injury from hot water. When working for a long time with closed pressure side more than 5-10 min, the water in the pump can be very hot Xia, so that it will happen uncontrollably my leakage and damage may occur waiting of the pumping part.

## Possible problems and malfunctions

### The engine does not run:

- Check the fuse. Instruct electrician check power line zheniya.
- The thermal relay has turned off the engine. Raincool the engine. Follow temperature of the pumped liquid. The impeller is blocked. Delete pollution.
- The pump is running, but is not pumping liquid

bone:

- Low liquid level. Dive deeper those suction hose.
- Air in the pump casing. Prime the pump.
- The pump sucks in air. Check gerthe accuracy of all compounds.

- The suction pipe is clogged. Good luck pour dirt into the suction section.
- The pressure line is closed. Open up pressure pipeline.
- The pressure hose is bent. Straighten pressure hose.

**Insufficient pumped volume:**

- The pressure hose is bent. Straighten pressure hose.
- Insufficient hose diameter. Use use a larger diameter pressure hose.
- The delivery head is too high. Observe give the maximum delivery height, cm. Those. Specifications
- The suction lift is too high.

Observe the maximum suction head vania.

**Maintenance and service**

**Maintenance and cleaning**

► **All maintenance work living should be carried out with unplugged cable.**

During operation, the pumping station does not require any maintenance.

This model is equipped with an input coarse filter. It is necessary to periodically check the status of this filter and clean it as it gets dirty. niya. To do this, unscrew the transparent cover the filter counterclockwise. Beforestand the filter cartridge and clean his. Do not use to clean the filter abrasive materials and aggressive liquids bones In case of changes in pump operation, the next you should contact P.I.T. or in avauthorized service workshop for P.I.T.

**Service**

► **Repairing your power tool commission only qualified personnel and only with the use original spare parts.**

List of authorized service centers can be viewed on the official website P.I.T. by the link: <https://pittools.ru/services/>



**Storage and transportation**

**Storage:**

- Drain the water from the suction and pressure head
- Unscrew the drain plug holes and let the water drain out of the pump
- Screw the drain screw back on hole and place the pump and storage in a protected frost-free place, at temperatures from 0 up to + 35 ° c and relative humidity not more than 80%.

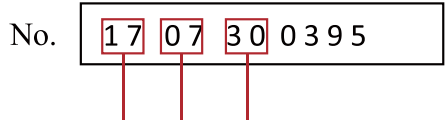
You can transport products any kind of closed transport in manufacturer's packaging or without, with preservation of the product from mechanical damage, precipitation.

**Dispose of waste**

 Damaged power tools, batteries, accessories and waste packaging materials  must be recycled and reused in an environmentally friendly manner.

Do not throw power tools and accumulators / batteries into general household waste!

**Product serial number interpretation**



Year month day

The first and second digits of the product serial number from left to right.

Year of production, the third and fourth digits indicate the month of production, the fifth and sixth digits indicate the production day.

**TERMS OF WARRANTY SERVICE**

1. This Warranty Certificate is the only document that confirms your right to free warranty service. Without presenting this certificate, no claims are accepted. In case of loss or damage, the warranty certificate is not restored.

2. The warranty period for the electric machine is 12 months from the date of sale, during the warranty period the service department eliminates manufacturing defects and replaces parts that have failed due to the fault of the manufacturer free of charge. In the warranty repair, an equivalent operable product is not provided. Replaceable parts become property of service providers.

P.I.T is not liable for any damage that may be caused by operation of the electric machine.

3. Only clean tool accompanied with the following duly executed documents: this Warranty Certificate, Warranty Card, with all fields filled out, bearing the stamp of the trade organization and the signature of the buyer, shall be accepted for warranty repair.

4. Warranty repair is not performed in the following cases:

- in the absence of a Warranty Certificate and a Warranty Card or their incorrect execution;
- with failure of both a rotor and a stator of the electric engine, charring or melting of primary winding of the welding machine transformer, charging or starting-charging device, with internal parts melting, burn down of electronic circuit boards;
- if a Warranty Certificate or a Warranty Card does not correspond to this electric machine

or to the form established by the supplier;

- upon expiration of the warranty period;
- at attempts of opening or repair of the electric machine outside the warranty workshop; making constructive changes and lubrication of the tool during the warranty period, as evidenced, for example, by the creases on the spline parts of the fasteners of non-rotational parts.
- when using electric tools for production or other purposes connected with making a profit, as well as in case of malfunctions related to instability of the power network parameters exceeding the norms established by GOST;
- in the events of improper operation (use the electric machine for other than intended purposes, attachments to the electric machine of attachments, accessories, etc. not provided by the manufacturer);
- with mechanical damage to the case, power cord and in case of damages caused by aggressive agents and high and low temperatures, ingress of foreign objects in the ventilation grids of the electric machine, as well as in case of damage resulting from improper storage (corrosion of metal parts);
- natural wear and tear on the parts of the electric machine, as a result of long-term operation (determined on the basis of the signs of full or partial depletion of the specified mean life, great contamination, presence of rust outside and inside the electric machine, waste lubricant in the gearbox);
- use of the tool the purposes for other than specified in the operating instructions.
- mechanical damages to the tool;
- in the event of damages due to non-observance of the operating conditions specified in the instruction (see chapter "Safety Precautions" of the Manual).
- damage to the product due to non-observance of the rules of storage and transportation.

Preventive maintenance of electric machines (cleaning, washing, lubrication, replacement of anthers, piston and sealing rings) during the warranty period is a paid service.

The service life of the product is 3 years. Shelf life is 2 years. It is not recommended for operation after 2 years of storage from the date of manufacture, which is indicated in the serial number on the label of the instrument, without preliminary verification (for the definition of the date of manufacture, see the User's Manual earlier).

The owner is notified of any possible viola-

tions of the above terms of warranty service upon completion of diagnostics in the service center.

The owner of the tool entrusts the diagnostic procedure to be conducted in the service center in his absence.

Do not operate the electric machine when there are signs of excessive heat, sparking, or noise in the gearbox. To determine the cause of the malfunction, the buyer should contact the warranty service center.

Malfunctions caused by late replacement of carbon brushes of the engine are eliminated at the expense of the buyer.

5. The warranty does not cover:

- replacement accessories (accessories and components), for example: batteries, discs, blades, drill bits, borers, chucks, chains, sprockets, collet clamps, guide rails, tension and fastening elements, trimming device heads, base of grinding and belt sander machines, hexagonal heads, etc.,
- fast wearing parts, for example: carbon brushes, drive belts, seals, protective covers, guiding rollers, guides, rubber seals, bearings, toothed belts and wheels, shanks, brake belts, starter ratchets and ropes, piston rings, etc. Their replacement during the warranty period is a paid service;
- power cords, in case of damage to the insulation, power cords are subject to mandatory replacement without the consent of the owner (paid service);
- tool case.

## Русский

### Указания По Технике Безопасности

Общие указания по технике безопасности для электроинструментов



#### ПРЕДУПРЕЖДЕНИЕ

Прочтите все указания и инструкции по технике безопасности.

Несоблюдение указаний и инструкций по технике безопасности может стать причиной поражения электрическим током, пожара и тяжелых травм.

**Сохраняйте эти инструкции и указания для будущего использования.**

- ▶ Не допускайте эксплуатации изделия без защитного заземления!
- ▶ Установка устройства защитного отключения (УЗО) номинальным током утечки 30 мА обязательна!
- ▶ Монтаж изделия и электрической розетки для его подключения электросети должны выполнять квалифицированные специалисты по электромонтажным работам.
- ▶ Во избежание несчастных случаев, категорически запрещается производить какие-либо ремонтные/обслуживающие работы на оборудовании без отключения его от электрической сети.

#### ПРЕДУПРЕЖДЕНИЕ!

- ▶ Работа поверхностного насоса «всухую» (без воды) не допускается.
- ▶ Не допускайте попадания воздуха во всасывающую магистраль.
- ▶ Температура перекачиваемой жидкости должна быть от +1°C до +35°C.

#### ВАЖНО!

- ▶ Монтаж электрооборудования для подключения изделия должны выполнять квалифицированные специалисты по электромонтажным и сантехническим работам.
- ▶ Колебание напряжения в электрической сети не должно превышать  $\pm 10\%$ .
- ▶ Не ремонтируйте и не разбирайте изделие самостоятельно.

### Электробезопасность

**ВНИМАНИЕ!** При несоблюдении указаний по технике безопасности существует опасность поражения электрическим током.

- ▶ Перед началом работы с прибором проверяйте сетевой шнур и штепсельную вилку на наличие повреждений.
- ▶ Все электрические соединения долж-

ны находиться в защищенном от затопления месте.

- ▶ Неподходящие электрические удлинители могут представлять опасность. Внепомощений следует использовать только допущенные для использования и соответственно маркированные электрические удлинители с достаточным поперечным сечением провода.
- ▶ Не используйте сетевой кабель питания для транспортировки или фиксации прибора.
- ▶ При отсоединении прибора от сети питания необходимо тянуть за штепсельную вилку, а не за кабель.
- ▶ Следите за тем, чтобы сетевой кабель не защемлялся и не терся об острые края.
- ▶ Устанавливайте устройство в стойком и защищенном от перелива положении.
- ▶ Напряжение в сети должно соответствовать напряжению, указанному в технических характеристиках.
- ▶ Защищайте прибор от дождя и сырости. Проникновение воды в прибор повышает риск поражения электрическим током.
- ▶ Не направляйте струю воды непосредственно на насос или другие электрические узлы. Опасно для жизни - возможно поражение электрическим током.
- ▶ Нельзя использовать насос как погружной насос.
- ▶ При использовании насоса вблизи плавательных бассейнов, садовых прудов или фонтанов соблюдать минимальное расстояние 2 м и защитить прибор от соскальзывания в воду.
- ▶ Если в бассейне или садовом пруду находятся люди, запрещается использовать насос.
- ▶ Электрические соединения должны выполняться только квалифицированным электриком.

### Безопасность людей

- ▶ В целях безопасности лица моложе 16 лет, а также лица, не ознакомившиеся с данным руководством, не должны допускаться до работы с устройством.
- ▶ Насос не предназначен для использования лицами с ограниченными физическими или умственными способностями или при отсутствии у пользователя опыта и знаний, если он не находится под контролем и не проинструктирован об использовании устройства лицом,

ответственным за безопасность.

- ▶ Запрещается эксплуатировать и обслуживать насос, находясь в состоянии сильной усталости, алкогольного, наркотического опьянения или под воздействием сильнодействующих медицинских препаратов.
- ▶ Дети и домашние животные не должны находиться вблизи насоса во время его работы. Следите за тем, чтобы дети не играли с устройством. Указания по технике безопасности при работе с насосом
- ▶ Любое использование насоса с нарушением правил его эксплуатации считается использованием не по назначению. За ущерб, возникший в результате использования не по назначению, ответственность несёт только пользователь.
- ▶ Насос не предназначен для профессионального или промышленного использования. Не допускается длительное непрерывное использование.
- ▶ Запрещается самовольное внесение изменений в конструкцию насоса, а также использование деталей, не прошедших испытания и не разрешённых к применению изготовителем.
- ▶ Запрещается перекачивание взрывоопасных, горючих, агрессивных или опасных для здоровья веществ, а также воды, содержащей механические примеси в виде песка, камней, и т. п.
- ▶ Насос не предназначен для перекачивания хлорсодержащей воды в плавательных бассейнах.
- ▶ Не рекомендуется для перекачивания питьевой воды.
- ▶ При первом запуске насоса необходимо обеспечить его полное заполнение водой. не допускается работа насоса без расхода воды.
- ▶ Не допускается попадание воздуха во всасывающую магистраль.
- ▶ Во избежание замерзания необходимо полностью слить воду из насоса, а также всасывающей и напорной магистралей.

## Описание продукта и услуг



Прочтите все указания и инструкции по технике безопасности.

Несоблюдение указаний по технике безопасности и инструкций может привести к поражению электрическим током, пожару и/или тяжелым травмам.

Пожалуйста, соблюдайте иллюстрации в

начале руководства по эксплуатации.

## Применение по назначению

Поверхностный насос предназначен для перекачивания чистой воды при осушении резервуаров и водоемов, организации забора воды с глубины (колодцы, скважины) и подачи ее на высоту, использования в системах аэрации и дренажа в течение ограниченного периода времени.

## Устройство насоса

Общий вид инструмента представлен на странице с иллюстрациями.

1. Насосная часть
2. Двигатель
3. Блок запуска двигателя
4. Входное отверстие
5. Выходное отверстие
6. Заливное отверстие

## Технические данные

| Модель                         | POG370-P               |
|--------------------------------|------------------------|
| Номинальные напряжение/частота | 220 В / 50 Гц          |
| Номинальная мощность           | 370 Вт                 |
| Производительность             | 1.8 м <sup>3</sup> / ч |
| Высота подъема                 | 30 м                   |
| Диаметр выхода                 | Ø25 мм                 |
| Вес                            | 3.75 кг                |

## Комплект поставки

Поверхностный дренажный насос 1 шт  
Инструкция пользователя 1 шт

## Примечание

В тексте и цифровых обозначениях могут быть допущены технические ошибки и опечатки. Так как изделие постоянно совершенствуется, P.I.T. оставляет за собой право на внесение изменений в указанные здесь технические характеристики и комплектацию изделия без предварительного уведомления.

## Установка

Насос должен стоять на горизонтальной ровной поверхности, рассчитанной на вес насоса, заполненного водой.

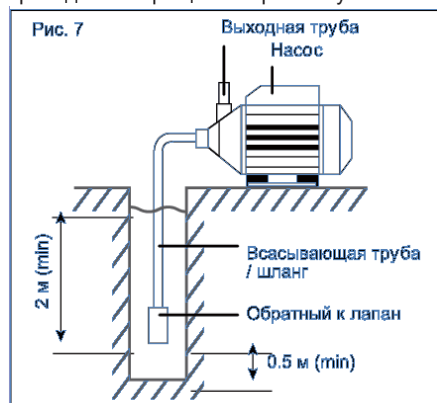
Чтобы избежать вибраций насос не должен быть жестко привинчен, он должен устанавливаться на эластичную подложку.

Место установки должно хорошо проветриваться и быть защищенным от атмосферных воздействий.

Устанавливать насос следует так, чтобы ротор располагался строго по горизонтали.

Любое другое положение значительно сни-

зит его производительность (до 30%) и приведет к сокращению срока службы.



## Подключение всасывающей линии

**Внимание!** Всасывающая линия должна монтироваться таким образом, чтобы она не оказывала никакого механического воздействия или напряжения на насос.

**Внимание!** Данная модель оснащена прямым фильтром грубой очистки.

**Внимание!** Чтобы вода не вытекала из отключенного насоса, обязательно нужно устанавливать на всасывающую трубу обратный клапан (в комплект поставки не входит)

Все резьбовые соединения должны быть герметизированы при помощи уплотнительной ленты. Через негерметичные места происходит подсасывание воздуха, в результате чего снижается или прекращается всасывание воды.

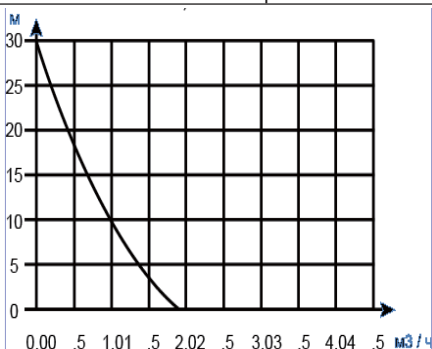
Всасывающая линия должна иметь внутренний диаметр не менее 1» (25мм). Она должна быть устойчива к заломам и вакууму.

Всасывающая линия должна быть настолько короткой, насколько это возможно, так как с увеличением длины линии уменьшается мощность подачи.

Всасывающая линия должна постоянно подниматься по направлению к насосу, для того чтобы не допустить возникновения воздушных карманов.

Необходимо обеспечить достаточный подвод воды, а конец всасывающей линии должен всегда находиться в воде.

При устройстве канала подачи воды примите во внимание



## Подключение напорного трубопровода

**Внимание!** Напорный трубопровод должен монтироваться таким образом, чтобы он не оказывала никакого механического воздействия или напряжения на насос.

Все резьбовые соединения должны быть герметизированы при помощи уплотнительной ленты, чтобы предотвратить утечку воды.

Все детали напорного трубопровода должны выдерживать напор, их монтаж осуществляется квалифицированными специалистами.

**Опасность!** При наличии непрочных деталей и неквалифицированном монтаже напорный трубопровод может лопнуть во время эксплуатации. Вырывающаяся под давлением жидкость может травмировать Вас!

Чтобы снизить вибрации и шумы, насос должен подключаться в сети трубопроводов при помощи эластичных соединительных шлангов.

## Электрическое подсоединение и заземление

- Электромонтажные работы, установку розетки. Предохранителей и подключение к питающей электросети должен выполнять квалифицированный электрик.
- Насос разрешается подключать только к розеткам с защитным контактом, которые надлежащим образом установлены, заземлены и проверены.

## Эксплуатация

### Перед началом работ:

- Проверьте параметры питающей электросети. Они должны соответствовать, данным указанным на двигателе.
- После электрического подсоединения, блок запуска двигателя должен быть

плот- но закрыт, чтобы избежать попадания в не-го влаги.

- Проверить правильность монтажа всасывающей и напорной магистралей.

#### **Заполнение водой:**

- Открутите крышку фильтра 7 и винт 14 (для выпуска воздуха)
- Заполнить водой всасывающую трубу и насосную часть через отверстие фильтра
- После того как вода заполнит насосную часть, вытеснив из нее воздух, закрыть сливное отверстие.

#### **Запуск**

- Вставьте вилку в розетку
- Откройте напорный трубопровод, повернув водопроводный кран или сопло, чтобы при всасывании мог выходить воздух
- Включите насос
- Если вода выходит равномерно, насос готов к эксплуатации
- После окончания работы выключите насос выключателем

**ВНИМАНИЕ!** Угроза получения травм от горячей воды. При длительной работе с закрытой напорной стороной более 5-10 мин, вода в насосе может сильно нагреться, так что произойдет ее неконтролируемое вытекание и может произойти повреждение насосной части.

#### **Возможные проблемы и неполадки**

##### **Двигатель не работает:**

- Проверьте предохранитель. Поручите электрику проверить линию электропитания.
- Термореле отключило двигатель. Дождитесь охлаждения двигателя. Следите за температурой перекачиваемой жидкости.
- Заблокировано рабочее колесо. Удалите загрязнение.

##### **Насос работает, но не перекачивает жидкость:**

- Низкий уровень жидкости. Глубже погрузи-
- Те всасывающий шланг.
- Воздух в корпусе насоса. Заполните насос.
- Насос всасывает воздух. Проверьте герметичность всех соединений.
- Засорен всасывающий трубопровод. Удалите загрязнение на участке всасывания.

- Закрыт напорный трубопровод. Откройте напорный трубопровод.

- Перегнулся напорный шланг. Выпрямите напорный шланг.

##### **Недостаточный перекачиваемый объем:**

- Перегнулся напорный шланг. Выпрямите напорный шланг.
- Недостаточный диаметр шланга. Используйте напорный шланг большего диаметра.
- Слишком большая высота подачи. Соблюдайте максимальную высоту подачи, см. Тех. Характеристики
- Слишком большая высота всасывания. Соблюдайте максимальную высоту всасывания.

#### **Техобслуживание и сервис**

##### **Техобслуживание и очистка**

- ▶ **Все работы по техническому обслуживанию должны проводиться при отключенном от сети кабеле.**

Во время эксплуатации насосная станция не требует никакого обслуживания.

Данная модель оснащена входным фильтром грубой очистки. Необходимо периодически проверять состояние этого фильтра и чистить его по мере загрязнения. Для этого открутите прозрачную крышку фильтра против часовой стрелки. Достаньте фильтрующий картридж и очистите его. Не применяйте для чистки фильтра абразивные материалы и агрессивные жидкости. В случае изменений в работе насоса следует обращаться на фирму P.I.T. или в авторизованную сервисную мастерскую для электроинструментов P.I.T.

##### **Сервис**

- ▶ **Ремонт вашего электроинструмента поручайте только квалифицированному персоналу и только с применением оригинальных запасных частей.**

Список авторизованных сервисных центров можно посмотреть на официальном сайте P.I.T. по ссылке: <https://pittools.ru/services/>

#### **Хранение и транспортировка**


##### **Хранение:**

- Слейте воду из всасывающего и напорного трубопроводов
- Открутите резьбовую пробку сливного отверстия и дайте воде вытечь из насоса
- Снова закрутите резьбовую пробку сливного отверстия и разместите насос и принадлежности на хранение в защищенном от мороза месте, при тем-

пература от 0 до +35°С и относительной влажности не более 80%.

Транспортировать продукцию можно любым видом закрытого транспорта в упаковке производителя или без нее, с сохранением изделия от механических повреждений, атмосферных осадков.

### Утилизация

 При утилизации пришедшего в негодность насоса примите все меры, чтобы не нанести вреда окружающей среде.

Не стоит самостоятельно пытаться утилизировать насос. Настоятельно рекомендуется обратиться в специальную службу.

### РАСШИФРОВКА ДАТЫ ИЗГОТОВЛЕНИЯ ИЗДЕЛИЯ

№. 

|   |   |   |   |   |   |   |   |   |   |
|---|---|---|---|---|---|---|---|---|---|
| 1 | 7 | 0 | 7 | 3 | 0 | 0 | 3 | 9 | 5 |
|---|---|---|---|---|---|---|---|---|---|

год месяц день

Дата изготовления изделия зашифрована в серийном номере, напечатанном на корпусе инструмента. Первые 2 цифры обозначают год выпуска, следующие 2 цифры – месяц и следующие 2 цифры – день.

### УСЛОВИЯ ГАРАНТИЙНОГО ОБСЛУЖИВАНИЯ

1. Настоящее гарантийное свидетельство является единственным документом, подтверждающим ваше право на бесплатное гарантийное обслуживание. Без предъявления данного свидетельства претензии не принимаются. В случае утери или порчи гарантийное свидетельство не восстанавливается.

2. Гарантийный срок на электроинструмент, а также зарядные устройства и аккумуляторные батареи серии OnePower составляет 12 месяцев со дня продажи, в течение гарантийного срока сервисная служба бесплатно устраняет производственные дефекты и производит замену деталей, вышедших из строя по вине изготовителя. На период гарантийного ремонта эквивалентный исправный инструмент не предоставляется. Заменяемые детали переходят в собственность служб сервиса.

Компания P.I.T. не несет ответственности за вред, который может быть причинен при работе с электроинструментом.

3. В гарантийный ремонт инструмент при-

нимается в чистом виде, при обязательном наличии надлежащим образом оформленных документов: настоящего гарантийного свидетельства, гарантийного талона, с полностью заполненными полями, штампом торговой организации и подписью покупателя.

4. Гарантийный ремонт не производится в следующих случаях:

- при отсутствии гарантийного свидетельства и гарантийного талона или неправильном их оформлении;
- при совместном выходе из строя якоря и статора электродвигателя, при обугливание или оплавлении первичной обмотки трансформатора сварочного аппарата, зарядного или пуско-зарядного устройства, при оплавлении внутренних деталей, прожиге электронных плат;
- если гарантийное свидетельство или талон не принадлежит данному электроинструменту или не соответствует установленному поставщиком образцу;
- по истечении срока гарантии;
- при попытках самостоятельного вскрытия или ремонта электроинструмента вне гарантийной мастерской;
- внесения конструктивных изменений и смазки инструмента в гарантийный период, о чем свидетельствуют, например, заломы на шлицевых частях крепежа корпусных деталей.
- при использовании электроинструмента в производственных или иных целях, связанных с получением прибыли, а также при возникновении неисправностей связанных с нестабильностью параметров электросети, превышающих нормы, установленные ГОСТ;
- при неправильной эксплуатации (использование электроинструмента не по назначению, установки на электроинструмент не предназначенных заводом-изготовителем насадок, дополнительных приспособлений и т.п.;
- при механических повреждениях корпуса, сетевого шнура и при повреждениях, вызванных воздействиями агрессивных средств и высоких и низких температур, попадании инородных предметов в вентиляционные решетки электроинструмента, а также при повреждениях, наступивших в результате неправильного хранения (коррозия металлических частей);
- при выходе из строя электродвигателя, вследствие заклинивания крыльчатки насо-

са.

- при естественном износе деталей электроинструмента, в результате длительной эксплуатации (определяется по признакам полной или частичной выработки ресурса, сильного загрязнения, ржавчины снаружи и внутри электроинструмента, отработанной смазки в редукторе);

- использование инструмента не по назначению, указанному в инструкции по эксплуатации.

- при механических повреждениях инструмента;

- при возникновении повреждений в связи с несоблюдением предусмотренных инструкцией условий эксплуатации (см. главу «Указание по технике безопасности» в инструкции).

- повреждение изделия вследствие несоблюдения правил хранения и транспортировки.

Профилактическое обслуживание электроинструмента (чистка, промывка, смазка, замена пыльников, поршневых и уплотнительных колец) в гарантийный период является платной услугой.

Срок службы изделия составляет 3 года. Срок хранения – 2 года. Не рекомендуется к эксплуатации по истечении 2 лет хранения с даты изготовления, которая указана в серийном номере на этикетке инструмента, без предварительной проверки (определение даты выпуска смотрите ранее в Руководстве пользователя).

О возможных нарушениях, изложенных выше условий гарантийного обслуживания, владельцу сообщается после проведения диагностики в сервисном центре.

Владелец инструмента доверяет проведение диагностики в сервисном центре в свое отсутствие.

Запрещается эксплуатация электроинструмента при проявлении признаков повышенного нагрева, искрения, а также шума в редукторной части. Для выяснения причин неисправности покупателю следует обратиться в гарантийную мастерскую.

Неисправности, вызванные несвоевременной заменой угольных щеток двигателя, устраняются за счет покупателя.

5.Гарантия не распространяется на:

- сменные принадлежности (аксессуары и оснастка), например: аккумуляторы, диски, ножи, сверла, буры, патроны, цепи, звездочки, цанговые зажимы, шины, элементы натяжения и крепления, головки тримме-

ров, подошвы шлифовальных и ленточных машин, фильтры, головки шестигранные сменные насадки и т.п.

- быстроизнашивающиеся детали, например: угольные щетки, приводные ремни, сальники, защитные кожухи, направляющие ролики, направляющие, резиновые уплотнения, подшипники, зубчатые ремни и колеса, стволы, ленты тормоза, храповики и тросы стартеров, поршневые кольца и т.п.

Замена их в течение гарантийного срока является платной услугой.

-шнуры питания, в случае повреждения изоляции, шнуры питания подлежат обязательной замене без согласия владельца (услуга платная), в т.ч. корпуса инструмента.

# P.I.T. WARRANTY CERTIFICATE

Product Name \_\_\_\_\_

Product Serial Number

Charger Serial Number

Sale Date \_\_\_\_\_

Trade Organization Name \_\_\_\_\_



Dear customer!

Thank you for purchasing the P.I.T. tool, and we hope that you will be satisfied with your choice. In the process of manufacturing the P.I.T. tools pass multilevel quality control, if nevertheless your product will need maintenance, please contact the authorized P.I.T. service centers.

Attention!

When buying, ask a seller to check the completeness and operability of the tool, to fill out the Warranty Certificate, the Warranty Card (the boxes shall be filled out by a seller) and to affix the seal of the trade organization in the Guarantee Certificate and the Warranty Card.

Warranty

By this Warranty Certificate, P.I.T. company guarantees the absence of defects of the production nature.

In the event any of the above defects are detected during the warranty period, the specialized P.I.T. service centers shall repair the product and replace the defective spare parts free of charge.

The warranty period for P.I.T. electric machines is 12 months from the date of sale.

“The warranty maintenance terms acknowledged and accepted. The operability and completeness of the product are checked in my presence. No claims on quality and appearance.”

Buyer's Signature \_\_\_\_\_ Surname (legibly) \_\_\_\_\_

Phone \_\_\_\_\_

**ГАРАНТИЙНОЕ СВИДЕТЕЛЬСТВО НА ИНСТРУМЕНТ P.I.T.**

Наименование изделия \_\_\_\_\_

Серийный номер изделия □□□□□□□□□□

Серийный номер зарядного устройства □□□□□□□□□□

Дата продажи « \_\_\_\_ » \_\_\_\_\_

Наименование торговой организации \_\_\_\_\_

Уважаемый покупатель!

М.П.

Благодарим Вас за покупку инструмента P.I.T. и надеемся, что Вы останетесь довольны своим выбором.

При необходимости обслуживания Вашего изделия обращайтесь в авторизованные сервисные центры P.I.T. Все сервисные центры представлены на сайте [www.pittools.ru](http://www.pittools.ru)

**Внимание!**

При покупке требуйте у продавца проверки работоспособности инструмента и его комплектности, а также заполнения гарантийного свидетельства, гарантийного талона (графы «Заполняются продавцом») и простановки печати торговой организации в гарантийном свидетельстве и гарантийных талонах.

**Гарантия**

На основании данного гарантийного свидетельства компания P.I.T. гарантирует отсутствие дефектов производственного характера.

Если в течение гарантийного срока в Вашем изделии обнаружатся указанные дефекты, то специализированные сервисные центры P.I.T. бесплатно отремонтируют изделие и заменят дефектные запасные части.

Гарантийный срок на электроинструменты P.I.T. составляет 12 месяцев со дня продажи.

«С условиями гарантийного обслуживания ознакомлен(а). Работоспособность и комплектность изделия проверены в моем присутствии. Претензий к качеству и внешнему виду не имею».

Подпись покупателя \_\_\_\_\_ Фамилия (разборчиво) \_\_\_\_\_

Телефон \_\_\_\_\_

# P.I.T. WARRANTY CARD

|   |       |   |               |       |               |
|---|-------|---|---------------|-------|---------------|
| Name<br>Serial Number<br>Sale Date<br>Date of Receipt from Repair | 20    | Name<br>Serial Number<br>Sale Date<br>Date of Receipt from Repair | <b>P.I.T.</b> |       | <b>№ 1</b>    |
|   | 20    |   | _____         | _____ | Place of Seal |
|   | 20    |   | _____         | _____ |               |
|   | 20    |   | _____         | _____ |               |
|   | 20    |   | _____         | _____ |               |
|   | 20    |   | _____         | _____ |               |
|   | 20    |   | _____         | _____ |               |
|   | 20    |   | _____         | _____ |               |
|   | 20    |   | _____         | _____ |               |
|   | 20    |   | _____         | _____ |               |
| 20  | _____ | _____   | _____         |       |               |

|   |    |   |               |       |               |
|---|----|---|---------------|-------|---------------|
| Name<br>Serial Number<br>Sale Date<br>Date of Receipt from Repair | 20 | Name<br>Serial Number<br>Sale Date<br>Date of Receipt from Repair | <b>P.I.T.</b> |       | <b>№ 2</b>    |
|   | 20 |   | _____         | _____ | Place of Seal |
|   | 20 |   | _____         | _____ |               |
|   | 20 |   | _____         | _____ |               |
|   | 20 |   | _____         | _____ |               |
|   | 20 |   | _____         | _____ |               |
|   | 20 |   | _____         | _____ |               |
|   | 20 |   | _____         | _____ |               |
|   | 20 |   | _____         | _____ |               |
|   | 20 |   | _____         | _____ |               |

|   |    |   |               |       |               |
|---|----|---|---------------|-------|---------------|
| Name<br>Serial Number<br>Sale Date<br>Date of Receipt from Repair | 20 | Name<br>Serial Number<br>Sale Date<br>Date of Receipt from Repair | <b>P.I.T.</b> |       | <b>№ 3</b>    |
|   | 20 |   | _____         | _____ | Place of Seal |
|   | 20 |   | _____         | _____ |               |
|   | 20 |   | _____         | _____ |               |
|   | 20 |   | _____         | _____ |               |
|   | 20 |   | _____         | _____ |               |
|   | 20 |   | _____         | _____ |               |
|   | 20 |   | _____         | _____ |               |
|   | 20 |   | _____         | _____ |               |
|   | 20 |   | _____         | _____ |               |

## ГАРАНТИЙНЫЙ ТАЛОН P.I.T.

P.I.T.

Талон № 1

Наименование \_\_\_\_\_  
 Серийный номер \_\_\_\_\_  
 Дата продажи « \_\_\_\_ » \_\_\_\_\_ 20\_\_ Place of Seal  
 (Заполняется продавцом)  
 КАРТА ГАРАНТИЙНОГО РЕМОНА  
 Дата приема ремонт \_\_\_\_\_ 20\_\_  
 Заявка на ремонт \_\_\_\_\_  
 Заказчик \_\_\_\_\_  
 Телефон (адрес) \_\_\_\_\_  
 Причина обращения \_\_\_\_\_  
 Дата получения от ремонта \_\_\_\_\_ 20\_\_  
 Инструмент проверен в моем присутствии \_\_\_\_\_  
 (Заказ заполняется в Сервисном Центре) (Подпись)

Наименование \_\_\_\_\_  
 Серийный номер \_\_\_\_\_  
 Дата продажи \_\_\_\_\_ 20\_\_  
 Дата получения от ремонта \_\_\_\_\_ 20\_\_

P.I.T.

Талон № 2

Наименование \_\_\_\_\_  
 Серийный номер \_\_\_\_\_  
 Дата продажи « \_\_\_\_ » \_\_\_\_\_ 20\_\_ Place of Seal  
 (Заполняется продавцом)  
 КАРТА ГАРАНТИЙНОГО РЕМОНА  
 Дата приема ремонт \_\_\_\_\_ 20\_\_  
 Заявка на ремонт \_\_\_\_\_  
 Заказчик \_\_\_\_\_  
 Телефон (адрес) \_\_\_\_\_  
 Причина обращения \_\_\_\_\_  
 Дата получения от ремонта \_\_\_\_\_ 20\_\_  
 Инструмент проверен в моем присутствии \_\_\_\_\_  
 (Заказ заполняется в Сервисном Центре) (Подпись)

Наименование \_\_\_\_\_  
 Серийный номер \_\_\_\_\_  
 Дата продажи \_\_\_\_\_ 20\_\_  
 Дата получения от ремонта \_\_\_\_\_ 20\_\_

P.I.T.

Талон № 3

Наименование \_\_\_\_\_  
 Серийный номер \_\_\_\_\_  
 Дата продажи « \_\_\_\_ » \_\_\_\_\_ 20\_\_ Place of Seal  
 (Заполняется продавцом)  
 КАРТА ГАРАНТИЙНОГО РЕМОНА  
 Дата приема ремонт \_\_\_\_\_ 20\_\_  
 Заявка на ремонт \_\_\_\_\_  
 Заказчик \_\_\_\_\_  
 Телефон (адрес) \_\_\_\_\_  
 Причина обращения \_\_\_\_\_  
 Дата получения от ремонта \_\_\_\_\_ 20\_\_  
 Инструмент проверен в моем присутствии \_\_\_\_\_  
 (Заказ заполняется в Сервисном Центре) (Подпись)

Наименование \_\_\_\_\_  
 Серийный номер \_\_\_\_\_  
 Дата продажи \_\_\_\_\_ 20\_\_  
 Дата получения от ремонта \_\_\_\_\_ 20\_\_



www.pit-tools.com

# P.I.T.

**Поставщик / производитель:** Xinjiang Longbo Industrial Co., Ltd./Синьцзян Лонгбо Индастриал Ко., Лтд.

**Адрес производства:** Rm. 602, 6th Floor, No. 531, Weixing Road, Economic And Technological Development Zone, Urumqi, Xinjiang, China / Оф.602, 6 этаж, №531, Вейшинг Родд, Экономик Энд Технолоджикал Девелопмент Зон, Урумчи, Синьцзян, Китай

**Импортер/ организация, уполномоченная принимать претензии:** ООО «Турбо-Тулс»

**Юридический адрес:** 117246, г. Москва, ул. Херсонская, 43 - 670

**Вопросы и предложения направляйте по адресу:** 614058, г. Пермь, ул. Фоминская, 36

**Горячая линия по сервисному обслуживанию:**



**\*2445**

Звонок с мобильного  
бесплатный

[info@pittools.ru](mailto:info@pittools.ru)

Сделано в КНР / Made in China

