

P.I.T.

PSW300-D1



VIBRATION PUMP

ВИБРАЦИОННЫЙ НАСОС

300W

**Powerful
Efficient**

Please read the instruction manual carefully before use!

Пожалуйста, внимательно прочтите инструкцию перед использованием!






English

Safety instructions

General power tool safety warnings

 **WARNING** Read all safety warnings and all instructions.

Failure to follow the warnings and instructions may result in electric shock, fire and/or serious injury.

Retain these instructions and directions for future use.

- ▶ **ATTENTION!**
- ▶ Do not use the product without protective grounding!
- ▶ Installation of a residual current device (RCD) with a rated leakage current of 30 mA is mandatory!
- ▶ The installation of the product and the electrical outlet for connecting it to the mains must be carried out by a qualified electrician.
- ▶ To avoid accidents, it is strictly forbidden to carry out any repair / maintenance work on the equipment without disconnecting it from the electrical network.
- ▶ The product is intended for pumping ONLY fresh water. DO NOT use the pump for pumping salt water, solvents, corrosive, flammable or explosive liquids, liquid foodstuffs, faeces.
- ▶ Do not allow the pump to run dry (without water intake) and / or with a blocked supply channel.
- ▶ Do not block the water intake holes of the product.
- ▶ To avoid product damage, DO NOT turn ON or USE the product at temperatures below 1 ° C, and do not leave it running overnight if frost is possible.
- ▶ The pump is cooled by the surrounding water. Therefore, do not operate the product outside of water and do not use in bodies of water or tanks with water temperatures above 35 ° C.
- ▶ Do not repair or disassemble the product yourself.

Electrical safety

ATTENTION! If the safety instructions are not followed, there is a risk of electric shock.

- ▶ The product is intended for use in FULL immersion. Observe the condition of the insulation of the network cable, do not damage the insulation.

When connecting the product to the mains power supply, use only grounded electrical

outlets to avoid electric shock.

- ▶ Unsuitable electrical extensions could present a hazard. Outdoors, use only approved and appropriately marked extension cords with sufficient wire cross-section.
- ▶ Do not use the mains power cable to transport or fix the instrument.
- ▶ When disconnecting the appliance from the mains power supply, do not pull or pull by the plug, not by the cable.
- ▶ Be careful not to pinch the power cord or rub it against sharp edges.
- ▶ Install the device in a rack and overflow-proof position.
- ▶ The mains voltage must correspond to the voltage specified in the technical specifications.
- ▶ DO NOT use the pump in water bodies (ponds, pools), where people are or may be, and it is also forbidden for people to be in a water body with the pump running.
- ▶ Electrical connections must only be made by a qualified electrician.

Safety of people

- ▶ For safety reasons, persons under the age of 16 or those who have not read this manual must not be allowed to work with the device.
- ▶ The pump is not intended for use by persons with reduced physical or mental capabilities or lack of experience and knowledge of the user, unless he is supervised and instructed in the use of the device by a person responsible for safety.
- ▶ It is forbidden to operate and service the pump while in a state of extreme fatigue, alcoholic, drug intoxication or under the influence of strong medications.
- ▶ Keep children and pets away from the pump while it is running. Children should be supervised to ensure that they do not play with the device.


Safety instructions for working with the pump

- ▶ Any use of the pump in violation of the rules of its operation is considered as use for other purposes. Damage resulting from use for other purposes is the sole responsibility of the user.
- ▶ The pump is not intended for professional or industrial use. Long-term con-

tinuous use is not allowed.

- ▶ **Unauthorized modifications to the pump design, as well as the use of parts that have not passed the tests and are not approved for use by the manufacturer, are prohibited.**
- ▶ **It is forbidden to pump explosive, flammable, corrosive or health hazardous substances, as well as water containing mechanical impurities in the form of sand, stones, etc.**
- ▶ **The pump is not suitable for pumping chlorine-containing water in swimming pools.**
- ▶ **Not recommended for pumping drinking water.**
- ▶ **When starting the pump for the first time, ensure that it is completely filled with water. it is not allowed to operate the pump without water consumption.**
- ▶ **Air entering the suction line is not allowed.**
- ▶ **To avoid freezing, the water must be completely drained from the pump and from the suction and pressure lines.**

Description of product and services

 **Read all safety instructions and instructions.**

Failure to follow the safety instructions and instructions can result in electric shock, fire and / or serious injury.

Please observe the illustrations at the beginning of the operating instructions.

Intended use

The pump is designed for pumping clean water. It can be used for pumping water from reservoirs, organizing water intake from a depth (wells) and supplying it to a height, to protect basements and other premises from flooding; for drainage of reservoirs, reservoirs, pits and use in aeration and drainage systems, taking into account the technical characteristics of the model.

The product is not intended for continuous operation (continuous pumping mode).

Pump device

The general view of the tool is presented on the page with illustrations.

1. Electric pump
2. Pipe
3. Rope
4. Power cord

Technical data

Model	PSW300-D1
Rated voltage	220 V~/50 Hz
Rated power	300 W
Performance	1.2 m³/h
Lifting height	80 m
The weight	3.4 Kg

Contents of delivery

Vibrating pump	1 pc.
Replacement rubber valve	1 pc.
Clamp	1 pc.
Rope	1 piece.
Oil seal	1 pc.
User manual	1 pc.

Note

In text and numbers, may technical errors and mistakes were made Since the product is constantly being improved, P.I.T. reserves the right to make changes to the specifications and equipment of the product specified here without prior notice.

Preparation for work

ATTENTION! All operations related to assembly, removal / installation of elements, as well as maintenance, should be performed only with the product disconnected from the mains.

ATTENTION! All operations related to assembly, removal / installation of elements, as well as maintenance, should be performed only with the product disconnected from the mains. When installing the pump in a well or borehole, provide the pump suspension:

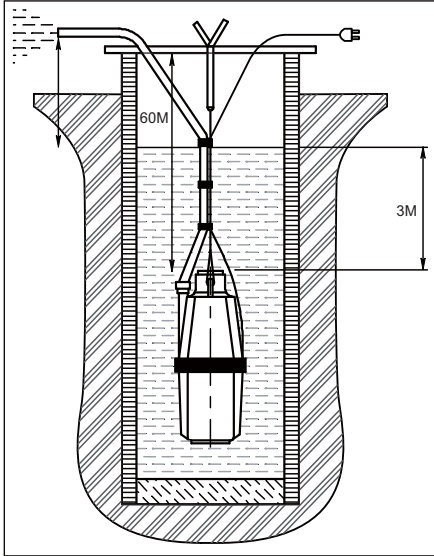
- ▶ pass the end of the cord through the eyelet;
- ▶ tie the free end around the main part of the cord and tighten with a double knot.
To prevent the unit from being sucked into the pump, place it no closer than 10 cm from the inlets in the pump housing. Reflow the ends of the rope.
- ▶ fasten the power cable, hose and nylon cord together with adhesive insulating tape or other bundles (except wire) at intervals of 1-2 meters, and make the first clip at a distance of 20-30 cm from the pump housing;

lower the pump under water, making sure that the power cable is not taut, and secure the cable to a bar or other holding device. **ATTENTION! It is forbidden to lower or suspend the product by the cable.**

Fasten the upper end of the cord to the crossbar **strictly** in the middle of the well.

Note! During operation, the pump must not

touch the walls and bottom of the well.



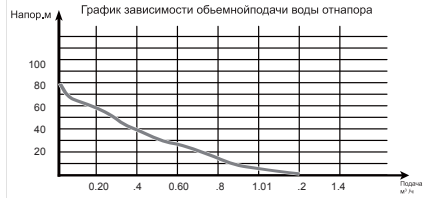
To ensure free vibration of the pump, if the suspension height is less than 5 meters, suspend it to the crossbar through an elastic spacer (rubber strip, hose, etc.).

Install 1 3/4" hose (not included in the kit) onto the outlet and secure with a hose clamp. For connection to the pump, use only flexible rubber or plastic hoses with an inner diameter of 18-22 mm. The use of smaller hoses places additional stress on the pump. If flexible hoses are not available, steel or plastic pipes may be used. Connect the pump to the pipes only through a flexible hose with a length of at least two meters.

ATTENTION! As the resistance at the outlet of the hose increases (with a pinched / kinked hose, a closed valve, or an installed spray nozzle), the pressure at the pump outlet will increase. Doing so could cause the hose to come off the fitting or damage the pump.

To avoid damage, **DO NOT INSTALL** shut-off devices (taps, plugs) on the water supply line and **DO NOT ALLOW** long-term (more than 30 seconds) operation of the pump with a closed outlet.

When installing a water supply channel, take into account that the pump performance directly depends on the height of the water rise.



Also note that the hydraulic resistance of 10 meters of the horizontal section of the line equals approximately 1 meter of lift.

Connect the pump to the electrical network only using the standard cable 2.

WARNING: if the cable length is insufficient, connect to the mains only using extension cords intended for outdoor use. It is strictly forbidden to extend the cable with additional inserts.

When connecting through an extension cord, the connection point must be outside the inner volume of the well and must be protected from moisture ingress, as well as from mechanical damage.

Immerse the product in water (well, reservoir, container) to a depth of no more than 3 meters.

WARNING: Do not use the product in bodies of water (ponds, pools) where people are or may be, and do not use the product in a body of water with a running pump.

When routing hoses and cables, arrange them so that they cannot be damaged:

- ▶ Children and animals;
- ▶ When walking, cutting grass, moving garden equipment, digging and other work on the site;
- ▶ When exposed to heat, sunlight, precipitation, fertilizers and other chemicals;
- ▶ Children and animals;
- ▶ When walking, cutting grass, moving garden equipment, digging and other work on the site;
- ▶ When exposed to heat, sunlight, rainfall, fertilizers and other chemicals.

If necessary, store them in a protective channel.

Operating procedure

Before switching on, make sure that the pump is below the water level, the cable is not stretched, the hose is not kinked / kinked and its outlet is not blocked.

The pump is switched on by connecting the plug to the mains socket.

During operation, check the immersion depth

of the product or the residual water level in the pumped out volume.

Note! The product does not have an automatic shutdown system in the absence of water flow through it. To avoid product damage, do not allow the pump to run dry (without water intake) or with a blocked water supply line. When there is no water consumption or at the end of work, turn off the product by pulling out the plug from the socket.

When you turn off the pump installed in a well or borehole with a depth of up to a water level of no more than 5 m, the water from the hose is drained by gravity.

At a greater depth, the pump valve under the pressure of the liquid column closes the inlet openings and the water does not drain.

After pumping out chlorinated water from Swimming pool or other liquids that leave sediment, it is necessary to flush the pump by turning it on for a short time to pump out clean water.

Before long-term storage, disconnect the hose from the product and completely drain the water from the hose and the product.

Storage and maintenance

Be sure to flush the pump with clean water after each use.

Storage

In case of prolonged inactivity of the pump, as well as in winter, storage must be carried out in a dry, heated room. First, it is necessary to drain the remaining water from it and pipes, rinse with clean water and dry.

The pump does not require preservation. It should be stored at temperatures between + 1 ° C and + 35 ° C, away from heating devices and avoiding direct sunlight.



Service

Have your power tool repaired by qualified personnel only and using original replacement parts to ensure the safety of your power tool. For a list of authorized service centers, see the official P.I.T. link <https://pittools.ru/services/>

Transportation

You can transport products any kind of closed transport in manufacturer's packaging or without, with preservation of the product from mechanical damage, precipitation.

Dispose of waste

 Damaged power tools, batteries, accessories and waste packaging materials  must be recycled and reused in an environmentally friendly manner.

Do not throw power tools and accumulators / batteries into general household waste!

Product serial number interpretation

No.

1	7	0	7	3	0	0	3	9	5
---	---	---	---	---	---	---	---	---	---

Year month day

The first and second digits of the product serial number from left to right

Year of production, the third and fourth digits indicate the month of production, the fifth and sixth digits indicate the production day.

TERMS OF WARRANTY SERVICE

1. This Warranty Certificate is the only document that confirms your right to free warranty service. Without presenting this certificate, no claims are accepted. In case of loss or damage, the warranty certificate is not restored.

2. The warranty period for the electric machine is 12 months from the date of sale, during the warranty period the service department eliminates manufacturing defects and replaces parts that have failed due to the fault of the manufacturer free of charge. In the warranty repair, an equivalent operable product is not provided. Replaceable parts become property of service providers.

P.I.T is not liable for any damage that may be caused by operation of the electric machine.

3. Only clean tool accompanied with the following duly executed documents: this Warranty Certificate, Warranty Card, with all fields filled out, bearing the stamp of the trade organization and the signature of the buyer, shall be accepted for warranty repair.

4. Warranty repair is not performed in the following cases:

- in the absence of a Warranty Certificate and a Warranty Card or their incorrect execution;
- with failure of both a rotor and a stator of the electric engine, charring or melting of primary winding of the welding machine transformer, charging or starting-charging device, with internal parts melting, burn down of electronic circuit boards;
- if a Warranty Certificate or a Warranty Card does not correspond to this electric machine

or to the form established by the supplier;

- upon expiration of the warranty period;
- at attempts of opening or repair of the electric machine outside the warranty workshop; making constructive changes and lubrication of the tool during the warranty period, as evidenced, for example, by the creases on the spline parts of the fasteners of non-rotational parts.
- when using electric tools for production or other purposes connected with making a profit, as well as in case of malfunctions related to instability of the power network parameters exceeding the norms established by GOST;
- in the events of improper operation (use the electric machine for other than intended purposes, attachments to the electric machine of attachments, accessories, etc. not provided by the manufacturer);
- with mechanical damage to the case, power cord and in case of damages caused by aggressive agents and high and low temperatures, ingress of foreign objects in the ventilation grids of the electric machine, as well as in case of damage resulting from improper storage (corrosion of metal parts);
- natural wear and tear on the parts of the electric machine, as a result of long-term operation (determined on the basis of the signs of full or partial depletion of the specified mean life, great contamination, presence of rust outside and inside the electric machine, waste lubricant in the gearbox);
- use of the tool the purposes for other than specified in the operating instructions.
- mechanical damages to the tool;
- in the event of damages due to non-observance of the operating conditions specified in the instruction (see chapter "Safety Precautions" of the Manual).
- damage to the product due to non-observance of the rules of storage and transportation.

Preventive maintenance of electric machines (cleaning, washing, lubrication, replacement of anthers, piston and sealing rings) during the warranty period is a paid service.

The service life of the product is 3 years. Shelf life is 2 years. It is not recommended for operation after 2 years of storage from the date of manufacture, which is indicated in the serial number on the label of the instrument, without preliminary verification (for the definition of the date of manufacture, see the User's Manual earlier).

The owner is notified of any possible viola-

tions of the above terms of warranty service upon completion of diagnostics in the service center.

The owner of the tool entrusts the diagnostic procedure to be conducted in the service center in his absence.

Do not operate the electric machine when there are signs of excessive heat, sparking, or noise in the gearbox. To determine the cause of the malfunction, the buyer should contact the warranty service center.

Malfunctions caused by late replacement of carbon brushes of the engine are eliminated at the expense of the buyer.

5. The warranty does not cover:

- replacement accessories (accessories and components), for example: batteries, discs, blades, drill bits, borers, chucks, chains, sprockets, collet clamps, guide rails, tension and fastening elements, trimming device heads, base of grinding and belt sander machines, hexagonal heads, etc.,
- fast wearing parts, for example: carbon brushes, drive belts, seals, protective covers, guiding rollers, guides, rubber seals, bearings, toothed belts and wheels, shanks, brake belts, starter ratchets and ropes, piston rings, etc. Their replacement during the warranty period is a paid service;
- power cords, in case of damage to the insulation, power cords are subject to mandatory replacement without the consent of the owner (paid service);
- tool case.

Русский

Указания по технике безопасности
Общие указания по технике безопасности для электроинструментов



ПРЕДУПРЕЖДЕНИЕ

Прочтите все указания и инструкции по технике безопасности.

Несоблюдение указаний и инструкций по технике безопасности может стать причиной поражения электрическим током, пожара и тяжелых травм.

Сохраняйте эти инструкции и указания для будущего использования.

ВНИМАНИЕ!

- ▶ Не допускайте эксплуатации изделия без защитного заземления!
- ▶ Установка устройства защитного отключения (УЗО) номинальным током утечки 30 мА обязательна!
- ▶ ▶ Монтаж изделия и электрической розетки для его подключения электросети должны выполнять квалифицированные специалисты по электромонтажным работам.
- ▶ Во избежание несчастных случаев, категорически запрещается производить какие-либо ремонтные/обслуживающие работы на оборудовании без отключения его от электрической сети.
- ▶ Изделие предназначено для перекачивания ТОЛЬКО пресной воды. НЕ ИСПОЛЬЗУЙТЕ насос для перекачивания соленой воды, растворителей, агрессивных, легковоспламеняющихся и взрывчатых жидкостей, жидких пищевых продуктов, фекалий.
- ▶ Не допускайте работу насоса «всухую» (без забора воды) и/или с перекрытым подающим каналом.
- ▶ Не закрывайте водозаборные отверстия изделия.
- ▶ Во избежание выхода изделия из строя НЕ ВКЛЮЧАЙТЕ и НЕ ИСПОЛЬЗУЙТЕ изделие при температурах ниже 1°C, а также не оставляйте его работающим на ночь при возможности заморозков.
- ▶ Насос охлаждается окружающей водой. Поэтому не допускайте работы изделия вне воды и не используйте в водоемах или резервуарах с температурой воды выше 35°C.
- ▶ Не ремонтируйте и не разбирайте изделие самостоятельно.

Электробезопасность

ВНИМАНИЕ! При несоблюдении указаний по технике безопасности существует опасность поражения электрическим током.

- ▶ Изделие предназначено для эксплуатации при ПОЛНОМ погружении. Следите за состоянием изоляции сетевого кабеля, не допускайте повреждения изоляции.

При подключении изделия в сеть электропитания используйте только розетки с заземлением – это поможет избежать удара электрическим током.

- ▶ Неподходящие электрические удлинители могут представлять опасность. Вне помещений следует использовать только допущенные для использования и соответствующие маркированные электрические удлинители с достаточным поперечным сечением провода.
- ▶ Не используйте сетевой кабель питания для транспортировки или фиксации прибора.
- ▶ При отсоединении прибора от сети питания не бросайте вилку за штепсельную вилку, а снимайте кабель.
- ▶ Следите за тем, чтобы сетевой кабель не заземлялся и не терся об острые края.
- ▶ Устанавливайте устройство в устойчивом и защищенном от перелива положении.
- ▶ Напряжение в сети должно соответствовать напряжению, указанному в технических характеристиках.
- ▶ ЗАПРЕЩАЕТСЯ эксплуатация насоса в водоемах (прудах, бассейнах), в которых находятся или могут находиться люди, а также запрещается людям находиться в водоеме с работающим насосом.
- ▶ Электрические соединения должны выполняться только квалифицированным электриком.

Безопасность людей

- ▶ В целях безопасности лица моложе 16 лет, а также лица, не ознакомившиеся с данным руководством, не должны допускаться до работы с устройством.
- ▶ Насос не предназначен для использования лицами с ограниченными физическими или умственными способностями или при отсутствии у пользователя опыта и знаний, если

он не находится под контролем и не проинструктирован об использовании устройства лицом, ответственным за безопасность.

- ▶ Запрещается эксплуатировать и обслуживать насос, находясь в состоянии сильной усталости, алкогольного, наркотического опьянения или под воздействием сильнодействующих медицинских препаратов.
- ▶ Дети и домашние животные не должны находиться вблизи насоса во время его работы. Следите за тем, чтобы дети не играли с устройством.

Указания по технике безопасности при работе с насосом

- ▶ Любое использование насоса с нарушением правил его эксплуатации считается использованием не по назначению. За ущерб, возникший в результате использования не по назначению, ответственность несёт только пользователь.
- ▶ Насос не предназначен для профессионального или промышленного использования. Не допускается длительное непрерывное использование.
- ▶ Запрещается самовольное внесение изменений в в конструкцию насоса, а также использование деталей, не прошедших испытания и не разрешённых к применению изготовителем.
- ▶ Запрещается перекачивание взрывоопасных, горючих, агрессивных или опасных для здоровья веществ, а также воды, содержащей механические примеси в виде песка, камней, и т. п.
- ▶ Насос не предназначен для перекачивания хлорсодержащей воды в плавательных бассейнах.
- ▶ Не рекомендуется для перекачивания питьевой воды.
- ▶ При первом запуске насоса необходимо обеспечить его полное заполнение водой. не допускается работа насоса без расхода воды.
- ▶ Не допускается попадание воздуха во всасывающую магистраль.
- ▶ Во избежании замерзания необходимо полностью слить воду из насоса, а также всасывающей и напорной магистралей.

Описание продукта и услуг



Прочтите все указания и инструкции по технике безопасности.

Несоблюдение указаний по технике безопасности и инструкций может привести к поражению электрическим током, пожару и/или тяжёлым травмам.

Пожалуйста, соблюдайте иллюстрации в начале руководства по эксплуатации.

Применение по назначению

Насос предназначен для перекачивания чистой воды. Может применяться для перекачивания воды из водоемов, организации забора воды с глубины (колодцы) и подачи на высоту, для защиты от затопления подвальных и иных помещений; для осушения водоемов, резервуаров, котлованов и использования в системах аэрации и дренажа с учетом технических характеристик модели.

Изделие не предназначено для продолжительной работы (режим длительной перекачки).

Устройство насоса

Общий вид инструмента представлен на странице с иллюстрациями.

1. Выходной патрубков насоса
2. Кабель насоса

Технические данные

Модель	PSW300-D1
Номинальные напряжение/частота	220 В / 50 Гц
Номинальная мощность	300 Вт
Производительность	1.2 м ³ / ч
Высота подъема	80 м
Вес	3.4 кг

Комплект поставки

Насос вибрационный	1 шт.
Запасной резиновый клапан	1 шт.
Хомуты	1 шт.
Веревка	1 шт.
Масляный уплотнитель	1 шт.
Инструкция пользователя	1 шт.

Примечание

В тексте и цифровых обозначениях могут быть допущены технические ошибки и опечатки. Так как изделие постоянно совершенствуется, P.I.T. оставляет за собой право на внесение изменений в указанные здесь технические характеристики и комплектацию изделия без предварительного уведомления.

Подготовка к работе

ВНИМАНИЕ! Все операции, связанные со сборкой, снятием /установкой элементов, а также техническим обслуживанием, производите только при отключенном от сети изделии.

При установке насоса в колодец или скважину обеспечьте подвеску насоса:

- ▶ Пропустите конец шнура через ушко;
- ▶ Обвяжите свободный конец вокруг основной части шнура и затяните двойным узлом.

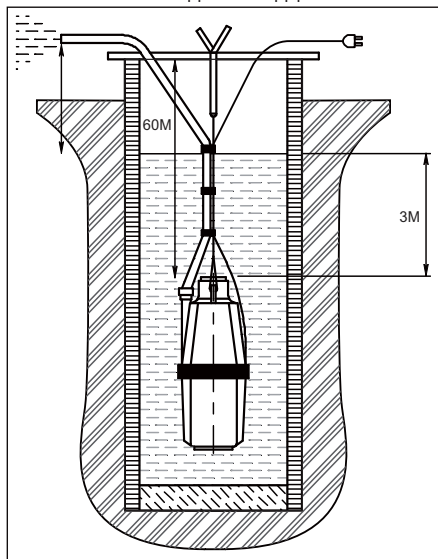
Во избежание засасывания узла в насос расположить его не ближе 10 см от входных отверстий в корпусе насоса. Кончики троса оплавить.

- ▶ Кабель питания, шланг и капроновый шнур скрепить вместе липкой изоляционной лентой или другими связками (кроме проволоки) через промежутки 1-2 метра, а первую скрепку сделать на расстоянии 20-30 см от корпуса насоса;
- ▶ Опустить насос под воду, проследив, чтобы кабель питания не натягивался, и закрепить трос за перекладину или другое удерживающее устройство.

ВНИМАНИЕ! Опускание и подвес изделия за кабель **ЗАПРЕЩАЕТСЯ**.

Верхний конец шнура закрепите на перекладине **СТРОГО** посередине колодца.

Примечание! Насос при работе не должен касаться стенок и дна колодца.



Для обеспечения свободной вибрации на-

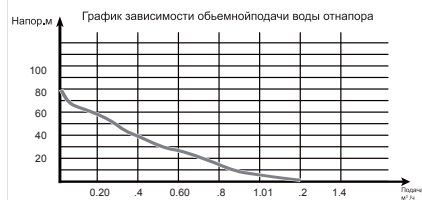
соса, при высоте подвеса менее 5 метров осуществляйте подвеску на перекладину через эластичную проставку (резиновую полосу, шланг и т.д.).

Установите на выходной патрубке 1 шланг (в комплект не входит) диаметром 3/4» и закрепите его хомутом. Для подсоединения к насосу использовать только гибкие шланги из резины или пластмассы с внутренним диаметром 18-22 мм. Применение шлангов меньших диаметров создает дополнительную нагрузку на насос. При отсутствии гибких шлангов допускается применение стальных или пластмассовых труб. Присоединять насос к трубам следует только через гибкий шланг длиной не менее двух метров.

ВНИМАНИЕ! При повышении сопротивления на выходе шланга (при пережатом / перекрученном шланге, перекрытом кране или установленной распорительной насадке) возрастает давление на выходе насоса. Это может привести к срыву шланга с патрубка или к повреждению насоса.

Во избежание повреждения **НЕ УСТАНАВЛИВАЙТЕ** на магистраль подачи воды перекрывающих устройств (кранов, заглушек) и **НЕ ДОПУСКАЙТЕ** длительную (более 30 сек.) работу насоса с **перекрытым выходом**.

При устройстве канала подачи воды примите во внимание, что производительность насоса напрямую зависит от высоты подъема воды.



Также учтите, что гидравлическое сопротивление 10 метров горизонтального участка магистрали равняется приблизительно 1 метру подъема.

Подключение насоса к электрической сети осуществляйте, только используя штатный кабель 2.

ВНИМАНИЕ! При недостаточной длине кабеля подключение к сети осуществляйте **ТОЛЬКО** через удлинители, предназначенные для эксплуатации вне помещений. **КАТЕГОРИЧЕСКИ ЗАПРЕ-**

ЩАЕТСЯ наращивать кабель дополнительными вставками.

При подключении через удлинитель, место соединения должно находиться вне внутреннего объема колодца и должно быть защищено от попадания влаги, а также от механических повреждений.

Погрузите изделие в воду (в колодец, водоем, емкость) на глубину не более 3 метров.

ВНИМАНИЕ! ЗАПРЕЩАЕТСЯ использовать изделие в водоемах (прудах, бассейнах), в которых находятся или могут находиться люди, а также ЗАПРЕЩАЕТСЯ людям находиться в водоеме с работающим насосом.

При прокладке шлангов и кабелей расположите их таким образом, чтобы они не могли быть повреждены:

- ▶ Детьми и животными;
- ▶ При хождении, постригании травы, перемещении садовой техники, копании и других работах на участке;
- ▶ При воздействии тепла, солнечного света, осадков, удобрений и других химических веществ;
- ▶ Детьми и животными;
- ▶ При хождении, постригании травы, перемещении садовой техники, копании и других работах на участке;
- ▶ При воздействии тепла, солнечного света, осадков, удобрений и других химических веществ.

При необходимости, уберите их в защитный канал.

Порядок работы

Перед включением убедитесь, что насос находится ниже уровня воды, кабель не натянут, шланг не пережат/перекручен и его выход не перекрыт.

Включение насоса осуществляется включением вилки в сетевую розетку.

В процессе работы контролируйте глубину погружения изделия или остаточный уровень воды в откачиваемом объеме.

Примечание! Изделие не имеет системы автоматического отключения при отсутствии расхода воды через него. Во избежание выхода изделия из строя не допускайте работу насоса «всухую» (без забора воды) или с перекрытой магистралью подачи воды.

При отсутствии потребления воды или по окончании работы выключите изделие, вынув вилку из розетки.

При отключении насоса, установленного в колодце или скважине с глубиной до

уровня воды не более 5 м, вода из шланга сливается самотеком.

На большей глубине клапан насоса под давлением столба жидкости перекрывает входные отверстия и слив воды не происходит.

После откачивания хлорированной воды из плавательного бассейна или других жидкостей, оставляющих осадок, необходимо промыть насос включением его на короткое время на откачку чистой воды.

Перед длительным хранением, отсоедините от изделия шланг и полностью слейте воду из шланга и изделия.

Хранение и техническое обслуживание

После каждого использования обязательно промывайте насос чистой водой.

Хранение

При длительном бездействии насоса, а также в зимний период, хранение необходимо осуществлять в сухом отапливаемом помещении. Предварительно необходимо слить из него и труб остатки воды, промыть чистой водой и высушить.

Насос не требует консервации. Его следует хранить при температуре от +1°C до +35°C, вдали от нагревательных приборов и избегая попадания прямых солнечных лучей.

Сервис

- ▶ **Ремонт вашего электроинструмента поручайте только квалифицированному персоналу и только с применением оригинальных запасных частей. Этим обеспечивается безопасность электроинструмента.**

Список авторизованных сервисных центров можно посмотреть на официальном сайте P.I.T. по ссылке <https://pittools.ru/services/>

Транспортировка

Транспортировать продукцию можно любым видом закрытого транспорта в упаковке производителя или без нее, с сохранением изделия от механических повреждений, атмосферных осадков.

Утилизация



При утилизации пришедшего в негодность насоса примите все меры, чтобы не нанести вреда окружающей среде.

Не стоит самостоятельно пытаться утилизировать насос. Настоятельно рекомендуется обратиться в специальную службу.

РАСШИФРОВКА ДАТЫ ИЗГОТОВЛЕНИЯ ИЗДЕЛИЯ

№.

1	7	0	7	3	0	0	3	9	5
---	---	---	---	---	---	---	---	---	---

год месяц день

Дата изготовления изделия зашифрована в серийном номере, напечатанном на корпусе инструмента. Первые 2 цифры обозначают год выпуска, следующие 2 цифры – месяц и следующие 2 цифры - день.

УСЛОВИЯ ГАРАНТИЙНОГО ОБСЛУЖИВАНИЯ

1. Настоящее гарантийное свидетельство является единственным документом, подтверждающим ваше право на бесплатное гарантийное обслуживание. Без предъявления данного свидетельства претензии не принимаются. В случае утери или порчи гарантийное свидетельство не восстанавливается.

2. Гарантийный срок на электроинструмент, а также зарядные устройства и аккумуляторные батареи серии OnePower составляет 12 месяцев со дня продажи, в течение гарантийного срока сервисная служба бесплатно устраняет производственные дефекты и производит замену деталей, вышедших из строя по вине изготовителя. На период гарантийного ремонта эквивалентный исправный инструмент не предоставляется. Заменяемые детали переходят в собственность служб сервиса.

Компания P.I.T. не несет ответственности за вред, который может быть причинен при работе с электроинструментом.

3. В гарантийный ремонт инструмент принимается в чистом виде, при обязательном наличии надлежащим образом оформленных документов: настоящего гарантийного свидетельства, гарантийного талона, с полностью заполненными полями, штампом торговой организации и подписью покупателя.

4. Гарантийный ремонт не производится в следующих случаях:

- при отсутствии гарантийного свидетельства и гарантийного талона или неправильном их оформлении;
- при совместном выходе из строя якоря и статора электродвигателя, при обугливания или оплавлении первичной обмотки транс-

форматора сварочного аппарата, зарядного или пуско-зарядного устройства, при оплавлении внутренних деталей, прожиге электронных плат;

- если гарантийное свидетельство или талон не принадлежат данному электроинструменту или не соответствует установленному поставщиком образцу;
- по истечении срока гарантии;

- при попытках самостоятельного вскрытия или ремонта электроинструмента вне гарантийной мастерской;

- внесения конструктивных изменений и смазки инструмента в гарантийный период, о чем свидетельствуют, например, заломы на шлицевых частях крепежа корпусных деталей.

- при использовании электроинструмента в производственных или иных целях, связанных с получением прибыли, а также при возникновении неисправностей связанных с нестабильностью параметров электросети, превышающих нормы, установленные ГОСТ;

- при неправильной эксплуатации (использование электроинструмента не по назначению, установки на электроинструмент не предназначенных заводом-изготовителем насадок, дополнительных приспособлений и т.п.;

- при механических повреждениях корпуса, сетевого шнура и при повреждениях, вызванных воздействиями агрессивных средств и высоких и низких температур, попадании инородных предметов в вентиляционные решетки электроинструмента, а также при повреждениях, наступивших в результате неправильного хранения (коррозия металлических частей);

- при выходе из строя электродвигателя, вследствие заклинивания крыльчатки насоса.

- при естественном износе деталей электроинструмента, в результате длительной эксплуатации (определяется по признакам полной или частичной выработки ресурса, сильного загрязнения, ржавчины снаружи и внутри электроинструмента, отработанной смазки в редукторе);

- использование инструмента не по назначению, указанному в инструкции по эксплуатации.

- при механических повреждениях инструмента;

- при возникновении повреждений в связи с несоблюдением предусмотренных ин-

струкцией условий эксплуатации (см. главу «Указание по технике безопасности» в инструкции).

- повреждение изделия вследствие несоблюдения правил хранения и транспортировки.

Профилактическое обслуживание электроинструмента (чистка, промывка, смазка, замена пыльников, поршневых и уплотнительных колец) в гарантийный период является платной услугой.

Срок службы изделия составляет 3 года. Срок хранения – 2 года. Не рекомендуется к эксплуатации по истечении 2 лет хранения с даты изготовления, которая указана в серийном номере на этикетке инструмента, без предварительной проверки (определение даты выпуска смотрите ранее в Руководстве пользователя).

О возможных нарушениях, изложенных выше условий гарантийного обслуживания, владельцу сообщается после проведения диагностики в сервисном центре.

Владелец инструмента доверяет проведение диагностики в сервисном центре в свое отсутствие.

Запрещается эксплуатация электроинструмента при проявлении признаков повышенного нагрева, искрения, а также шума в редукторной части. Для выяснения причин неисправности покупателю следует обратиться в гарантийную мастерскую.

Неисправности, вызванные несвоевременной заменой угольных щеток двигателя, устраняются за счет покупателя.

5.Гарантия не распространяется на:

- сменные принадлежности (аксессуары и оснастка), например: аккумуляторы, диски, ножи, сверла, буры, патроны, цепи, звездочки, цанговые зажимы, шины, элементы натяжения и крепления, головки триммеров, подошвы шлифовальных и ленточных машин, фильтры, головки шестигранные сменные насадки и т.п.

- быстроизнашивающиеся детали, например: угольные щетки, приводные ремни, сальники, защитные кожухи, направляющие ролики, направляющие, резиновые уплотнения, подшипники, зубчатые ремни и колеса, стволы, ленты тормоза, храповики и тросы стартеров, поршневые кольца и т.п.

Замена их в течение гарантийного срока является платной услугой.

- шнуры питания, в случае повреждения изоляции, шнуры питания подлежат обя-

зательной замене без согласия владельца (услуга платная), в т.ч. корпуса инструмента.

ГАРАНТИЙНОЕ СВИДЕТЕЛЬСТВО НА ИНСТРУМЕНТ P.I.T.

Наименование изделия _____

Серийный номер изделия □□□□□□□□□□

Серийный номер зарядного устройства □□□□□□□□□□

Дата продажи « ____ » _____

Наименование торговой организации _____

Уважаемый покупатель!

М.П.

Благодарим Вас за покупку инструмента P.I.T. и надеемся, что Вы останетесь довольны своим выбором.

При необходимости обслуживания Вашего изделия обращайтесь в авторизованные сервисные центры P.I.T. Все сервисные центры представлены на сайте www.pittools.ru

Внимание!

При покупке требуйте у продавца проверки работоспособности инструмента и его комплектности, а также заполнения гарантийного свидетельства, гарантийного талона (графы «Заполняются продавцом») и простановки печати торговой организации в гарантийном свидетельстве и гарантийных талонах.

Гарантия

На основании данного гарантийного свидетельства компания P.I.T. гарантирует отсутствие дефектов производственного характера.

Если в течение гарантийного срока в Вашем изделии обнаружатся указанные дефекты, то специализированные сервисные центры P.I.T. бесплатно отремонтируют изделие и заменят дефектные запасные части.

Гарантийный срок на электроинструменты P.I.T. составляет 12 месяцев со дня продажи.

«С условиями гарантийного обслуживания ознакомлен(а). Работоспособность и комплектность изделия проверены в моем присутствии. Претензий к качеству и внешнему виду не имею».

Подпись покупателя _____ Фамилия (разборчиво) _____

Телефон _____

P.I.T. WARRANTY CARD

Name _____ Serial Number _____ Sale Date _____ 20__ Date of Receipt from Repair _____ 20__	P.I.T.	№ 1
	Name _____	
	Serial Number _____	
	Sale Date _____ 20__	
	Place of Seal	
	(Filled out by a Seller)	
	WARRANTY REPAIR CARD	
	Date of Acceptance for Repair _____ 20__	
	Application for Repair _____	
	Customer _____	
Phone (Address) _____		
Cause of Application _____		
Date of Receipt from Repair _____ 20__		
The Tool is checked in my presence _____		
(The Order shall be performed in a Service Center) (Signature)		

Name _____ Serial Number _____ Sale Date _____ 20__ Date of Receipt from Repair _____ 20__	P.I.T.	№ 2
	Name _____	
	Serial Number _____	
	Sale Date _____ 20__	
	Place of Seal	
	(Filled out by a Seller)	
	WARRANTY REPAIR CARD	
	Date of Acceptance for Repair _____ 20__	
	Application for Repair _____	
	Customer _____	
Phone (Address) _____		
Cause of Application _____		
Date of Receipt from Repair _____ 20__		
The Tool is checked in my presence _____		
(The Order shall be performed in a Service Center) (Signature)		

Name _____ Serial Number _____ Sale Date _____ 20__ Date of Receipt from Repair _____ 20__	P.I.T.	№ 3
	Name _____	
	Serial Number _____	
	Sale Date _____ 20__	
	Place of Seal	
	(Filled out by a Seller)	
	WARRANTY REPAIR CARD	
	Date of Acceptance for Repair _____ 20__	
	Application for Repair _____	
	Customer _____	
Phone (Address) _____		
Cause of Application _____		
Date of Receipt from Repair _____ 20__		
The Tool is checked in my presence _____		
(The Order shall be performed in a Service Center) (Signature)		

ГАРАНТИЙНЫЙ ТАЛОН P.I.T.

P.I.T.

Талон № 1

Наименование _____
 Серийный номер _____
 Дата продажи « ____ » _____ 20__ Place of Seal
 (Заполняется продавцом)
 КАРТА ГАРАНТИЙНОГО РЕМОНА
 Дата приема ремонт _____ 20__
 Заявка на ремонт _____
 Заказчик _____
 Телефон (адрес) _____
 Причина обращения _____
 Дата получения от ремонта _____ 20__
 Инструмент проверен в моем присутствии _____
 (Заказ заполняется в Сервисном Центре) (Подпись)

Наименование _____
 Серийный номер _____
 Дата продажи _____ 20__
 Дата получения от ремонта _____ 20__

P.I.T.

Талон № 2

Наименование _____
 Серийный номер _____
 Дата продажи « ____ » _____ 20__ Place of Seal
 (Заполняется продавцом)
 КАРТА ГАРАНТИЙНОГО РЕМОНА
 Дата приема ремонт _____ 20__
 Заявка на ремонт _____
 Заказчик _____
 Телефон (адрес) _____
 Причина обращения _____
 Дата получения от ремонта _____ 20__
 Инструмент проверен в моем присутствии _____
 (Заказ заполняется в Сервисном Центре) (Подпись)

Наименование _____
 Серийный номер _____
 Дата продажи _____ 20__
 Дата получения от ремонта _____ 20__

P.I.T.

Талон № 3

Наименование _____
 Серийный номер _____
 Дата продажи « ____ » _____ 20__ Place of Seal
 (Заполняется продавцом)
 КАРТА ГАРАНТИЙНОГО РЕМОНА
 Дата приема ремонт _____ 20__
 Заявка на ремонт _____
 Заказчик _____
 Телефон (адрес) _____
 Причина обращения _____
 Дата получения от ремонта _____ 20__
 Инструмент проверен в моем присутствии _____
 (Заказ заполняется в Сервисном Центре) (Подпись)

Наименование _____
 Серийный номер _____
 Дата продажи _____ 20__
 Дата получения от ремонта _____ 20__



www.pit-tools.com

P.I.T.

Поставщик / производитель: Xinying Longbo Industrial Co., Ltd./Синьинь Лонбо Индустриал Ко., Лтд.

Адрес производства: Rm. 602, 6th Floor, No. 531, Weixing Road, Economic And Technological Development Zone, Urumqi, Xinjiang, China / Оф. 602, 6 этаж, №531, Вейцинг Роуд, Экономич. Знд. Технополитическ. Развитием Зон, Урумчи, Синцзян, Китай

Импортер/ организация, уполномоченная принимать претензии: ООО «Турбо-Тулс»

Юридический адрес: 117246, г. Москва, ул. Херсонская, 43 - 670

Вопросы и предложения направляйте по адресу: 614035, г. Пермь, ул. Фоминская, 36

Горячая линия по сервисному обслуживанию:



*2445

Звонок по номеру бесплатный

info@pittools.ru

Сделано в КНР / Made in China

ERC