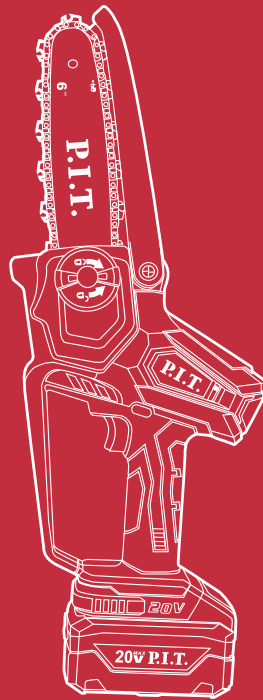


P.I.T.

PKЕ20H-150A



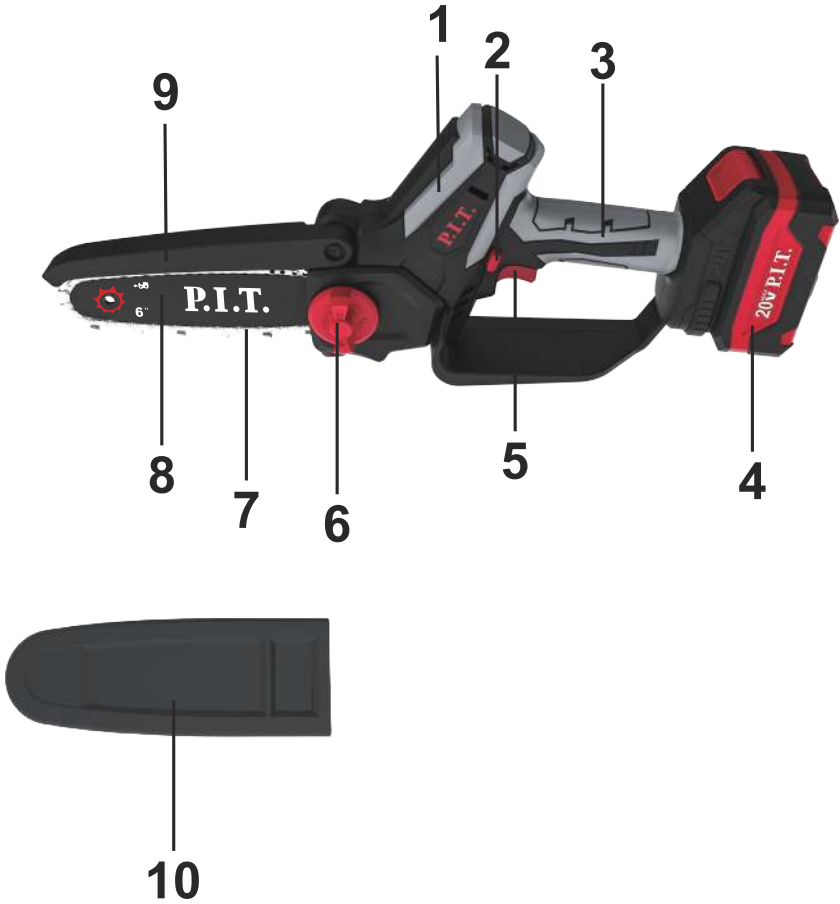
MINI CHAINSAW CORDLESS АККУМУЛЯТОРНАЯ ЦЕПНАЯ ПИЛА

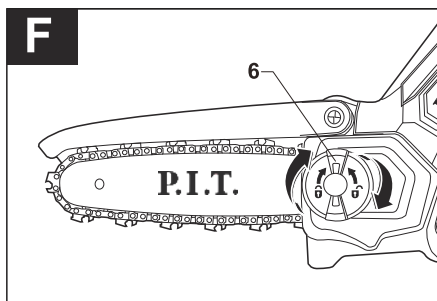
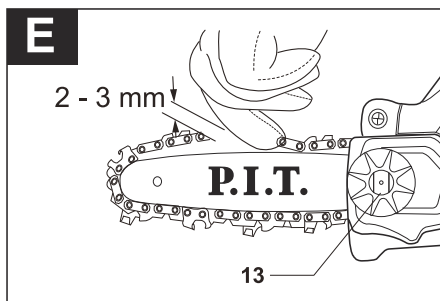
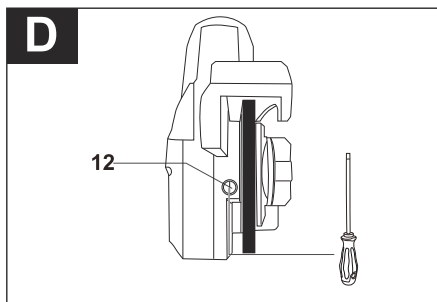
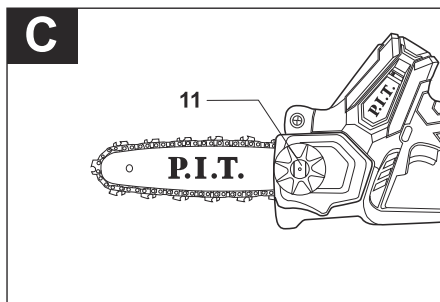
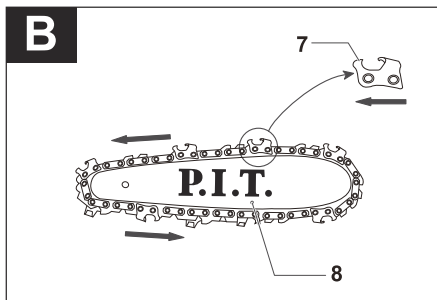
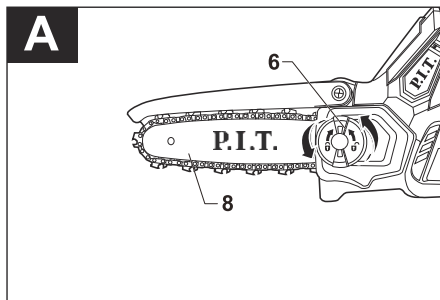


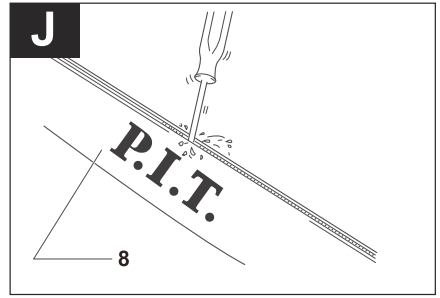
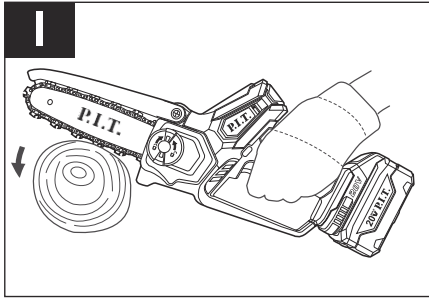
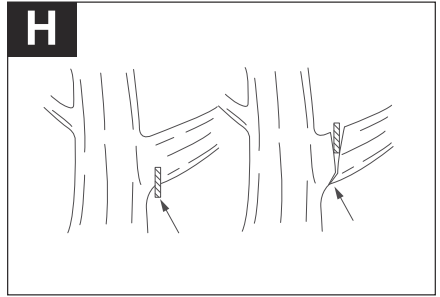
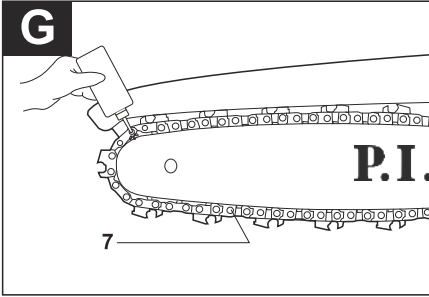
Please read the instruction manual carefully before use!

Пожалуйста, внимательно прочтите инструкцию перед использованием!









English

Safety warnings

General power tool safety warnings



WARNING! Read all safety warnings and all instructions.

Failure to follow the warnings and instructions may result in electric shock, fire and/or serious injury.

Save all warnings and instructions for future reference.

The term "power tool" in the warnings refers to your mains-operated (corded) power tool or battery-operated (cordless) power tool.

Work area safety

- ▶ **Keep work area clean and well lit.** Cluttered or dark areas invite accidents.
- ▶ **Do not operate power tools in explosive atmospheres, such as in the presence of flammable liquids, gases or dust.** Power tools create sparks which may ignite the dust or fumes.
- ▶ **Keep children and bystanders away while operating a power tool.** Distractions can cause you to lose control.

Electrical safety

- ▶ **Power tool plugs must match the outlet. Never modify the plug in any way. Do not use any adapter plugs with earthed (grounded) power tools.** Unmodified plugs and matching outlets will reduce risk of electric shock.
- ▶ **Avoid body contact with earthed or grounded surfaces, such as pipes, radiators, ranges and refrigerators.** There is an increased risk of electric shock if your body is earthed or grounded.
- ▶ **Do not expose power tools to rain or wet conditions.** Water entering a power-tool will increase the risk of electric shock.
- ▶ **Do not abuse the cord. Never use the cord for carrying, pulling or unplugging the power tool. Keep cord away from heat, oil, sharp edges and moving parts.** Damaged or entangled cords increase the risk of electric shock.
- ▶ **When operating a power tool outdoors, use an extension cord suitable for outdoor use.** Use of a cord suitable for outdoor use reduces the risk of electric shock.
- ▶ **If operating a power tool in a damp location is unavoidable, use a residual current device (rcd) protected supply.** Use of an rcd reduces the risk of electric shock.

Personal safety

- ▶ **Stay alert, watch what you are doing and use common sense when operating a power tool. Do not use a power tool while you are tired or under the influence of drugs, alcohol or medication.** A moment of inattention while operating power tools may result in serious personal injury.
 - ▶ **Use personal protective equipment. Always wear eye protection.** Protective equipment such as dust mask, non-skid safety shoes, hard hat, or hearing protection used for appropriate conditions will reduce personal injuries.
 - ▶ **Prevent unintentional starting. Ensure the switch is in the off-position before connecting to power source and/or battery pack, picking up or carrying the tool.** Carrying power tools with your finger on the switch or energising power tools that have the switch on invites accidents.
 - ▶ **Remove any adjusting key or wrench before turning the power tool on.** A wrench or a key left attached to a rotating part of the power tool may result in personal injury.
 - ▶ **Do not overreach. Keep proper footing and balance at all times.** This enables better control of the power tool in unexpected situations.
 - ▶ **Dress properly. Do not wear loose clothing or jewellery. Keep your hair, clothing and gloves away from moving parts.** Loose clothes, jewellery or long hair can be caught in moving parts.
 - ▶ **If devices are provided for the connection of dust extraction and collection facilities, ensure these are connected and properly used.** Use of dust collection can reduce dust-related hazards.
- #### Power tool use and care
- ▶ **Do not force the power tool. Use the correct power tool for your application.** The correct power tool will do the job better and safer at the rate for which it was designed.
 - ▶ **Do not use the power tool if the switch does not turn it on and off.** Any power tool that cannot be controlled with the switch is dangerous and must be repaired.
 - ▶ **Disconnect the plug from the power source and/or the battery pack from the power tool before making any adjustments, changing accessories, or stor-**

ing power tools. Such preventive safety measures reduce the risk of starting the power tool accidentally.

- ▶ **Store idle power tools out of the reach of children and do not allow persons unfamiliar with the power tool or these instructions to operate the power tool.** Power tools are dangerous in the hands of untrained users.
- ▶ **Maintain power tools. Check for misalignment or binding of moving parts, breakage of parts and any other condition that may affect the power tool's operation.** If damaged, have the power tool repaired before use. Many accidents are caused by poorly maintained power tools.
- ▶ **Keep cutting tools sharp and clean.** Properly maintained cutting tools with sharp cutting edges are less likely to bind and are easier to control.
- ▶ **Use the power tool, accessories and tool bits etc. in accordance with these instructions, taking into account the working conditions and the work to be performed.** Use of the power tool for operations different from those intended could result in a hazardous situation.

Battery tool use and care

- ▶ The battery is not fully charged at the time of delivery. To ensure full battery performance, fully charge the battery before first use.
- ▶ Only use the battery in combination with your P.I.T. This is the only way to prevent dangerous battery overload.
- ▶ Charge batteries only with chargers recommended by the manufacturer. A charger designed for certain types of batteries may present a fire hazard when used with other batteries.
- ▶ Use only the specified batteries in power tools. Use of other batteries may result in personal injury and fire hazard.

Important safety precautions for working with the battery pack



WARNING: Use only original P.I.T.

The use of batteries not manufactured by P.I.T. or batteries that have been modified may result in battery explosion, fire, personal injury or property damage. This will also automatically void the P.I.T. for tool and charger device P.I.T.

- ▶ Before using the battery pack, read all instructions and warning labels on the charger, battery pack, and tools powered by the bat-

tery pack.

- ▶ Do not disassemble the battery pack.
- ▶ Do not drop or hit the battery pack.
- ▶ Do not use a damaged battery pack
- ▶ If the operating time of the battery pack is significantly shortened, stop using it immediately. Otherwise, the unit may overheat, resulting in burns and even an explosion.
- ▶ If electrolyte gets into your eyes, rinse them with plenty of clean water and seek medical attention immediately. This can lead to vision loss.
- ▶ Do not short the contacts of the battery pack with each other:
 - (1) Do not touch the contacts with any conductive objects.
 - (2) Do not store the battery pack in a container with other metal objects such as nails, coins, etc.
 - (3) Do not expose the battery pack to water or rain. Shorting the contacts of the battery pack together can cause high current, overheating, possible burns, and even breakage of the pack.
- ▶ Do not store the tool and battery pack where the temperature can reach or exceed 50 °C (122 °F).
- ▶ Do not throw the battery pack into a fire, even if it is severely damaged or completely out of order. The battery pack may explode if exposed to fire.
- ▶ Gas may be released if the battery is damaged or misused. Provide fresh air and if you have any complaints, consult a doctor. Gases can cause respiratory irritation.
- ▶ Clean the battery ventilation slots from time to time with a soft, dry and clean brush.
- ▶ Charge the battery pack without completely discharging it. Be sure to stop using the tool and charge the unit if you notice a decrease in tool power.
- ▶ Never recharge a fully charged battery pack. Overcharging shortens battery life.
- ▶ Charge the battery pack at room temperature. Allow a hot battery pack to cool before charging.
- ▶ Charge the lithium-ion battery pack if you will not use the tool for a long time (more than six months).
- ▶ Do not open the battery, otherwise there is a danger of a short circuit.
- ▶ Protect the battery from high temperatures, such as prolonged exposure to the sun, fire, water and moisture. There is a risk of explosion.
- ▶ Store the battery between 0 and 45°C. Do

not leave the battery in the car in summer.

▶ The supplied lithium-ion batteries must be used in accordance with the requirements of the dangerous goods legislation.

For commercial shipments, such as by a third party or freight forwarder, special warnings and labels must be applied to the packaging. Be sure to consult with a Hazardous Materials Specialist when preparing your device for shipping. Also observe local requirements and regulations. They may be stricter.

Cover or secure open contacts and pack the battery so that it does not move around in the package.

▶ Follow local regulations regarding the disposal of the battery pack.

Cordless chain saw safety warnings

▶ Do not operate the saw by persons who have not read these operating instructions, children, teenagers, or persons under the influence of alcohol, drugs or medication.

▶ Make sure the device is fully assembled according to the instructions.

▶ Check the device to make sure it works correctly, especially check the correct and secure fastening of the bar, the tension of the chain in accordance with the regulations and the correct operation of the chain brake.

▶ Check all screw connections regularly.

▶ Before use, ensure that there are no people or animals in the work area. Make sure the work area is clear of obstructions. Always be aware of your surroundings to ensure you are not endangering people or animals with your work. No unauthorized persons or animals should be present within a 15m area around the work area, otherwise they may be hit by objects thrown to the side.

▶ Never work in poor lighting or bad weather conditions.

▶ It is not allowed to work with the saw by persons who have not read these operating instructions, children, teenagers, as well as persons under the influence of alcohol, drugs or medications.

▶ Keep away from the moving chain of a running saw. Before starting the saw, always make sure that the saw chain is not in contact with any objects. Loss of Mania for a brief moment while operating a chainsaw can cause clothing or any part of the body to be caught in the saw chain.

▶ Always hold the chain saw by the handle provided for this purpose. Holding the chain saw in a different working position with your hands dramatically increases the risk of injury and is therefore unacceptable.

▶ Be sure to hold the power tool by the insulated handles only, as the saw chain may hit hidden wiring. Contact of the saw chain with live wiring can charge metal parts of the power tool and result in electric shock.

▶ Be sure to wear safety goggles and hearing protection. It is also recommended to use personal protection for the head, hands and feet. Suitable protective clothing and footwear reduces the risk of injury from flying chips and accidental contact with the moving saw chain.

▶ Do not use the chain saw while standing on a tree, ladder, roof or other unstable surface. Operating the chain saw in this manner can result in serious injury.

▶ Always maintain proper footing and only use the chain saw when standing on firm, safe and level ground. Slippery or unstable ground, e.g. on stairs, can lead to loss of balance and consequent loss of control over the chain saw.

▶ When cutting tense branches, be sure to take into account the possibility of their unexpected springback. When the mechanical tension of the wood fibers is released, the straightening stressed branches can get into the worker and / or lead to loss of control over the chainsaw.

▶ Be especially careful when trimming undergrowth and young trees. Thin cut material caught saw chain, may strike unexpectedly or throw you off balance.

▶ Carry the chain saw only when it is switched off, holding it by the front handle so that the saw chain always points away from your body. When transporting or storing the chain saw, always put on the chain saw guard. Careful handling of the chain saw greatly reduces the chance of accidental contact with the moving saw chain.

▶ Carefully follow all instructions for lubricating and tensioning the chain and replace accessories in a timely manner. An incorrectly or insufficiently well tensioned or unlubricated chain significantly increases the risk of jerking or kickback of the tool.

▶ Keep saw handles dry and clean and remove oil and grease from them promptly. Greasy or oily handles become slippery, leading to loss of saw control.

- ▶ Use the tool only for sawing wood. Do not use the chain saw for work not specified in the instruction manual. Example: Do not use a chain saw to cut plastics, masonry or non-wood building materials. Using the chain saw for work other than its intended purpose can lead to extremely dangerous situations.
- ▶ Causes and the possibility of eliminating the kickback of the saw:
 - Kickback can occur when the tip of the guide bar comes into contact with an object or when the wood is bent, causing the saw chain to get caught in the kerf.
 - Contact of the tip of the bar with a foreign object can in some cases lead to an unexpected and rearward rebound, in which the guide bar is folded up towards the operator.
 - Pinching the top edge of the saw chain guide bar can cause the bar to kick back quickly in the direction operator.
 - Any such reaction could result in loss of control of the saw and serious injury. Do not rely solely on the safety devices built into the saw. Chain saw users must take all possible precautions to ensure safe operation.
- ▶ Ricochet is the result of erroneous or incorrect use of a power tool. The latter can be prevented by appropriate precautions as described below.
- ▶ Hold the saw firmly with both hands, making sure your fingers are well wrapped around the chain saw handles. Take this position and always keep your hands so that you can reliably resist recoil forces if necessary. With proper precautions, the operator can cope with kickback forces. Never let go of the switched on chain saw.
- ▶ Avoid unsuitable body positions and do not cut above shoulder height. This will prevent accidental contact of the bar tip with surrounding objects and provide better control of the chain saw in unforeseen situations.
- ▶ Always use only spare bars and saw chains specified by the manufacturer. Use of unsuitable guide bars and saw chains can cause chain breaks or kickback.
- ▶ Follow the manufacturer's instructions for sharpening and maintenance of the saw chain. Depth gauges set too low increase the possibility of recoil.

Additional safety warnings

- ▶ It is recommended that the first time user

should have practical instruction in the use of the chainsaw and the protective equipment from an experienced operator. The initial practice should be cutting logs on a saw horse or cradle.

- ▶ This tool is not intended for use by persons (including children) with reduced physical, sensory or mental capabilities, or lack of experience and knowledge, unless they have been given supervision or instruction concerning use of the appliance by a person responsible for their safety.
- ▶ **Children should be supervised to ensure that they do not play with the appliance. Children and juveniles, with the exception of apprentices older than 16 years and under supervision, may not operate the chain saw.** The same applies for persons who do not or do not sufficiently know how to handle the chain saw. The operating instructions should always be ready to hand. Persons unfit or tired must not operate the chain saw.
- ▶ **Always ensure all handles and guards are properly fitted when using the machine.** Never attempt to use an incomplete machine or one fitted with an unauthorized modification.
- ▶ **Wait until the machine has come to a standstill before placing it down.**
- ▶ **Never remove or modify the protective shield!**

Product and service description

Read all warnings and safety instructions. Omissions regarding instructions and technical instructions safety may result in electric shock, fire and serious injury.

Purpose

The cordless chain saw is designed for work in the garden when caring for growing trees and working in the crown of a tree, sawing and trimming tree branches, and carrying out work on sawing wooden blanks in accordance with the permissible cutting length.

The saw can only be used with wood materials; when working with other materials, damage to the saw set may occur. Damage to the saw set is not covered under warranty.

This cordless chainsaw is not intended for felling or cutting firewood. For this type of work it is necessary to use more powerful chain saws.

Product features

The numbering of the product features refers to the illustration of the machine on the graph-

ics page.

1. Motor housing
2. Power lock button
3. Handle
4. Battery
5. Switch key.
6. Cover fixing nut
7. Saw chain
8. Guide bar
9. Protective cover
10. Cover
11. Drive sprocket
12. Chain tensioner screw
13. Sprocket cover

Technical data

Model	PKE20H-150A
Rated voltage	DC 20V
No-load speed	3100 r/min
Chain speed	6.5 m/s
Guide bar length	150 mm(6")
Weight	1.6 kg

Note

Technical errors and typographical errors may be made in the text and numerical designations of the instructions.

Since the product is constantly being improved, P.I.T. Reserves the right to make changes to the specifications and product specifications specified here without prior notice.

Contents of delivery

Cordless chain saw	1 pc
Guide rail	1 pc
Saw chain	1 pc
Cover	1 pc
Oiler	1 pc
Operating instructions	1 pc

Assembly

Attention! Before performing maintenance work, changing accessories, etc., or during transportation or storage, remove the battery from the power tool. If switched on unintentionally, there is a risk of injury.

- ▶ Do not touch the saw chain with bare hands.
- ▶ Always wear gloves when handling the saw chain.

Accumulator charging

▶ **Use only chargers specified in the technical specifications.** Only these chargers are suitable for the lithium-ion battery of your power tool.

Note: The battery is supplied in a partially

charged state. To ensure full battery power, fully charge the battery before first use.

The lithium-ion battery can be charged at any time without reducing its service life. Stopping the charging process does not harm the battery.

The lithium-ion battery is protected from deep discharge. A protective circuit turns off the power tool when the battery is discharged - the working tool stops.

▶ **After the power tool switches off automatically, do not press the switch again.**

The battery may be damaged. **Please observe the disposal instructions.**

Removing the Battery

The battery is equipped with two locking stages designed to prevent the battery from falling out if the release button is unintentionally pressed. While the battery is in the power tool, the spring holds it in the appropriate position.

To remove the battery, press the release button and remove the battery from the power tool. Do not use force when doing this.

Battery charge indicator

The green LED on the battery charge indicator indicate its charge level. For safety reasons, the charge indicator is only active when the power tool is at rest.

Press the battery charge indicator button to display the battery charge level. This is also possible with the battery removed. If no LED indicator lights up after pressing the battery charge indicator button, the battery is faulty and must be replaced.

Operation and meaning of charger indicator elements

1. The charger is plugged in - the green indicator lights up
2. When placing the battery on charge, the green indicator blinks
3. When the battery is fully charged, the green indicator lights up constantly
4. If the charger or battery is faulty, the red indicator blinks.

Mounting the guide bar (see Fig. A-D)

WARNING! The saw chain has very sharp edges. For safety reasons, wear protective gloves.

- ▶ Place the saw on a table or floor.
- ▶ Loosen the nut (6) on the sprocket cover (13) and remove the sprocket cover.
- ▶ Place the chain (7) in the groove of the bar (8), paying attention to the direction of movement indicated by the symbol.
- ▶ Place the chain links on the sprocket (11)

and slide the bar on so that one locating pin fits into the hole in the bar.

- ▶ Install the cover (13) and tighten the nut (6) on the sprocket cover.

Adjusting chain tension (see figure E-F)

WARNING! The saw chain has very sharp edges. For safety reasons, wear protective gloves.

- ▶ The chain tension may become loose after prolonged use. Check the chain tension from time to time.
- ▶ To check, take a saw and grab the chain in the middle of the guide bar and lift it. The gap between the guide bar and the chain should be about 2 - 3 mm. If the clearance is not correct, loosen the nut (6) and adjust the chain tension by tightening the adjusting screw (12) using a screwdriver. The gap will be automatically set to approximately 2-3mm by the chain tension adjustment spring.
- ▶ Then tighten the nut (6) securely, making sure there is approximately 2 - 3 mm of clearance.

Exploitation

Chain Lubrication (See Figure G-I)

Attention! Before lubricating the chain, make sure the tool is turned off and the battery pack is removed.

- ▶ The saw is not equipped with a chain lubrication system, so it is recommended to lubricate the saw chain and bar using an oil syringe or other technical container with chain oil. To ensure that the chain and bar last a long time, lubricate them every 10-15 cuts of branches or wood with an average diameter of 5-10 cm.

Note! When pruning fruit trees, use vegetable oil. Mineral oil can harm trees.

Attention! The use of used oil is prohibited, as this may cause damage to the saw set.

- ▶ Disconnect the battery and clean any sawdust from the guide bar and saw chain with a soft brush.
- ▶ Apply special oil to the groove between the guide bar and the saw chain on both sides.
- ▶ Turn on the chain saw and the oil will be evenly distributed throughout the chain.

Operating procedure

Before starting work, it is necessary to check that the saw is ready for use in accordance with the instructions.

First of all, check the correct installation of the bar, the correct sharpening and installation of the saw chain, the fastening of the sprocket,

the ease of movement of the switch, the operation of the start button and the safety button against accidental activation, and the correct installation of the battery. Make sure the saw handles are dry and clean.

- ▶ To start the saw, hold down the accidental activation lock button (2).
- ▶ Then, without releasing the lock button (2), press the switch (5). The saw chain will begin to rotate.
- ▶ To stop the saw, release the switch.
- ▶ If necessary, stop the saw urgently:
 - Release the power button.
 - Disconnect the battery from the saw.

Pruning branches

- ▶ Start pruning tree branches from the bottom up, eliminating the possibility of the cut branch hanging in the tree crown.
- ▶ Always maintain a stable position while working.
- ▶ Perform pruning with a saw, holding it at a height no higher than chest level.
- ▶ When trimming branches under load, take a position that prevents impact from the side opposite the bend.
- ▶ Start working at full speed of the chain saw motor.
- ▶ Only remove the saw from wood with the saw chain moving.
- ▶ Saw thin branches with one cut.
- ▶ Thin branches can easily get caught between chain links and injure the operator; use extreme caution when trimming small shrubs and thin tree branches.
- ▶ Saw thick branches on both sides, first make a ¼-diameter cut from the bottom and then from the top.
- ▶ Be extremely careful not to bring the toe of the bar until it touches the object, this will cause an instant kickback that will force the bar back and up towards the operator.
- ▶ If you cannot cut through the wood with one cut: apply light pressure to the handle and continue sawing, moving the saw back a little; then move the saw fence a little lower and finish the cut by lifting the handle.

Maintenance and service

Maintenance and cleaning

Attention! Always make sure the tool is turned off and the battery pack is removed before attempting any inspection or maintenance.

- ▶ Always wear gloves when performing any inspection or maintenance.

- ▶ Keep the saw body clean, use a soft cloth dampened with mild soap and water to wipe the saw body to clean.
- ▶ To ensure safe and efficient operation, always keep power tools and vents clean.

Guide bar (see figure J)

Chips and sawdust will accumulate in the guide bar groove, clogging it and impairing oil flow. Always clean the saw from shavings and sawdust when sharpening or replacing the chainsaw.

- ▶ Remove the guide bar from the chain saw.
- ▶ Remove sawdust from the guide bar groove.
- ▶ Clean oil crevices after each day of use.
- ▶ Remove burrs from the sides of the guide bar using a flat file.
- ▶ Replace the guide bar if it:
 - Deformed or cracked;
 - The inner groove of the tire is badly worn.

Drive sprocket

The sprocket is also subject to high wear. If you notice that the sprocket teeth are worn out, you need to replace it. To replace the sprocket, contact the Service Center.

Chain

Regularly check the condition and sharpness of the saw chain. If necessary, replace the chain with a new one.

The chain must be sharpened if cutting requires greatly increasing the pressure on the tool, or if the sawing waste is not large sawdust, but finely dispersed or wood dust.

Sharpening a chain is a technically complex operation that requires special skills and tools. For questions about sharpening a chain or purchasing a new chain, contact the Service Center.

Service

- ▶ Have your power tool repaired only by qualified personnel using original spare parts. This ensures the safety of the power tool.

The list of authorized service centers can be viewed on the official website of P.I.T. follow the link: <https://pittools.ru/services/>

Storage and transportation

Store the tool in enclosed spaces with natural ventilation in the packaging at an air temperature of 10°C to +50°C and air humidity of no more than 80%.

Products can be transported by any type of closed transport, with or without manufacturer's packaging, while preserving the product from mechanical damage and precipitation.

Before transporting, remove the battery and attachments from the device.

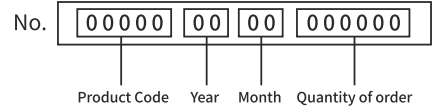
Dispose of waste



Damaged power tools, batteries, accessories and waste packaging materials must be recycled and reused in an environmentally friendly manner.

Do not throw power tools and accumulators / batteries into general household waste!

Product serial number interpretation serial number



The date of manufacture of the product is encoded in the serial number printed on the body of the tool. The first 2 digits indicate the year of issue, the next 2 digits indicate the month.

TERMS OF WARRANTY SERVICE

To customers (users) of warranty service:

1. This warranty certificate is the only document that confirms your right to free warranty service. If this proof is not presented, no claims will be accepted. Warranty certificates cannot be recovered if lost or damaged.
2. It is required to provide a valid and legal document for purchasing the product. The document must have the name or seal of the sales company; at the same time, state the full model name of the purchased P.I.T. product, the serial number on the nameplate of the fuselage, and the date of purchase, and the required warranty. The whole machine and its accessories.

The warranty period:

1. The warranty period of the product is 12 months from the date of sale. During the warranty period, the service department will eliminate manufacturing defects free of charge and replace the parts that fail due to the manufacturer's fault. In warranty repair, an equivalent operable product is not provided. Replaceable parts become the property of the service provider.
2. The wear degree on the diameter of the motor rotor commutator is less than 0.4 mm (except for brushless motor tools), and the internal damage caused by the quality of the tool belongs to the warranty.

The following situations occur during the warranty period, which is not covered by the

warranty:

1. In the absence of any valid legal documents (invoices) such as warranty certificates and warranty cards to prove the date of purchase.

2. Damage caused by natural wear and overload. (For example, motor rotor and stator failure caused by overload, scorching or melting of the primary winding of the welding machine transformer, charging or starting the charging device, melting of internal parts, burning of electronic circuit boards, etc.)

3. The casing and power cord are mechanically damaged, as well as damage caused by corrosive media and high and low temperature, foreign objects entering the ventilation network of the motor, and damage caused by improper storage (corrosion of metal parts);

4. Damage caused by improper carrying, transportation and storage by users.

5. Products that are opened, repaired, replaced or modified by users themselves.

6. Any damage caused by indiscriminate use, beyond the scope of use of the tool, and not in accordance with the instructions for use and maintenance. (see chapter "Safety Precautions" in the manual);

7. The damage caused by the following situations is not guaranteed due to improper use and non-quality problems:

(1) When the power tool is running at high speed, use the braking device to forcibly stop the rotation.

(2) Excessive pressure is applied to the tool during the use of the tool.

(3) Use the tool outside the scope of its purpose and capabilities.

(4) Damage caused by the tool working in a dusty environment for a long time without timely maintenance of the tool.

(5) Change the rotation direction of the work head before the tool stops completely.

(6) Shock the battery or charger and replace the plug of the charger without permission, causing damage to the battery or charger.

(7) Damage caused by two-stroke gasoline tools not being fueled in the correct proportions.

The warranty does not include:

1. Replacement of accessories (accessories and components) such as batteries, discs, blades, drills, chucks, chains, sprockets, collet clamps, guide rails, tension and fastening elements, dresser heads, grinders And belt sander base machine, hexagonal head, etc.;

2. Wearing parts, such as: carbon brushes, transmission belts, seals, protective covers, guide rollers, guide rails, rubber seals, bearings, toothed belts and wheels, shanks, brake belts, starter ratchets and ropes, piston rings Wait.

The above accessories are replaced with paid services during the warranty period;


Troubleshooting

Before asking for repairs, conduct your own inspection first. If you find a problem that is not explained in the manual, do not attempt to dismantle the tool. Instead, ask P.I.T. Authorized Service Centers, always using P.I.T. replacement parts for repairs.

Malfunction status	Cause	Action
The chain saw does not start.	The battery is not connected correctly.	Remove the battery and install it properly.
	Battery is low.	Remove and charge the battery.
	The battery is damaged.	Contact the service center for assistance.
The tool does not reach full power.	<ol style="list-style-type: none"> 1. Battery capacity is too low. 2. Ventilation holes are blocked. 3. Chain tension is too high. 	<ol style="list-style-type: none"> 1. Charge the batteries. 2. Clean the ventilation holes. 3. Adjust saw chain tension correctly.
The cutting result is unsatisfactory.	<ol style="list-style-type: none"> 1. Chain tension is too weak/strong. 2. Dull saw chain. 3. The chain teeth are pointing in the wrong direction. 4. Excessive force applied. 	<ol style="list-style-type: none"> 1. Adjust saw chain tension correctly. 2. Sharpen or replace the saw chain. 3. Install the saw chain correctly. 4. Reduce force.
The saw suddenly stops.	Low battery.	Remove and charge the battery.
	High battery temperature.	Remove the battery and let it cool.
Excessive vibration or noise.	Fastening elements are loose.	Tighten all fasteners.
	Dull saw chain.	Sharpen or replace the saw chain.

Русский

Общие указания по технике безопасности для электроинструментов

 **ПРЕДУПРЕЖДЕНИЕ** прочитайте все указания по технике безопасности, инструкции, иллюстрации и спецификации, предоставленные вместе с настоящим электроинструментом. Несоблюдение какихлибо из указанных ниже инструкций может стать причиной поражения электрическим током, пожара и/или тяжелых травм.

Сохраняйте эти инструкции и указания для будущего использования.

Использованное в настоящих инструкциях и указаниях понятие «электроинструмент» распространяется на электроинструмент с питанием от сети (с сетевым шнуром) и на аккумуляторный электроинструмент (без сетевого шнура).

Безопасность рабочего места

- ▶ **Содержите рабочее место в чистоте и хорошо освещенным.** Беспорядок или неосвещенные участки рабочего места могут привести к несчастным случаям.
- ▶ **Не работайте с электроинструментами во взрывоопасной атмосфере, напр., Содержащей горючие жидкости, воспламеняющиеся газы или пыль.** Электроинструменты искрят, что может привести к воспламенению пыли или паров.
- ▶ **Во время работы с электроинструментом не допускайте близко к вашему рабочему месту детей и посторонних лиц.** Отвлечшись, вы можете потерять контроль над электроинструментом.

Электробезопасность

- ▶ **Штепсельная вилка электроинструмента должна подходить к штепсельной розетке. Ни в коем случае не вносите изменения в штепсельную вилку. Не применяйте переходные штекеры для электроинструментов с защитным заземлением.** Неизменные штепсельные вилки и подходящие штепсельные розетки снижают риск поражения электротоком.
- ▶ **Предотвращайте телесный контакт с заземленными поверхностями, как то: с трубами, элементами отопления, кухонными плитами и холодильниками.** При заземлении вашего тела повы-

шается риск поражения электротоком.

- ▶ **Защищайте электроинструмент от дождя и сырости.** Проникновение воды в электроинструмент повышает риск поражения электротоком.
- ▶ **Не разрешается использовать шнур не по назначению. Никогда не используйте шнур для транспортировки или подвески электроинструмента, или для извлечения вилки из штепсельной розетки. Защищайте шнур от воздействия высоких температур, масла, острых кромок или подвижных частей электроинструмента.** Поврежденный или спутанный шнур повышает риск поражения электротоком.
- ▶ **При работе с электроинструментом под открытым небом применяйте пригодные для этого кабелиудлинители.** Применение пригодного для работы под открытым небом кабелиудлинителя снижает риск поражения электротоком.
- ▶ **Если невозможно избежать применения электроинструмента в сыром помещении, подключайте электроинструмент через устройство защитного отключения.** Применение устройства защитного отключения снижает риск электрического поражения.

Безопасность людей

- ▶ **Будьте внимательны, следите за тем, что делаете, и продуманно начинайте работу с электроинструментом. Не пользуйтесь электроинструментом в усталом состоянии или под воздействием наркотиков, алкоголя или лекарственных средств.** Один момент невнимательности при работе с электроинструментом может привести к серьезным травмам.
- ▶ **Применяйте средства индивидуальной защиты. Всегда носите защитные очки.** Использование средств индивидуальной защиты, как то: защитной маски, обуви на нескользящей подошве, защитного шлема или средств защиты органов слуха, в зависимости от вида работы с электроинструментом снижает риск получения травм.
- ▶ **Предотвращайте непреднамеренное включение электроинструмента. Перед тем как подключить электроинструмент к сети и/или к аккумулятору, поднять или переносить электроин-**

струмент, убедитесь, что он выключен. Удержание пальца на выключателе при транспортировке электроинструмента и подключение к сети питания выключенного электроинструмента чревато несчастными случаями.

- ▶ **Убирайте установочный инструмент или гаечные ключи до включения электроинструмента.** Инструмент или ключ, находящийся во вращающейся части электроинструмента, может привести к травмам.
- ▶ **Не принимайте неестественное положение корпуса тела. Всегда занимайте устойчивое положение и сохраняйте равновесие.** Благодаря этому вы можете лучше контролировать электроинструмент в неожиданных ситуациях.
- ▶ **Носите подходящую рабочую одежду. Не носите широкую одежду и украшения. Держите волосы и одежду вдали от подвижных деталей.** Широкая одежда, украшения или длинные волосы могут быть затянuty вращающимися частями.
- ▶ **При наличии возможности установки пылеотсасывающих и пылесборных устройств проверяйте их присоединение и правильное использование.** Применение пылеотсоса может снизить опасность, создаваемую пылью.
- ▶ **Хорошее знание электроинструментов, полученное в результате частого их использования, не должно приводить к самоуверенности и игнорированию техники безопасности обращения с электроинструментами.** Одно небрежное действие за долю секунды может привести к серьезным травмам.

Внимание! В случае возникновения перебоа в работе электроинструмента вследствие полного или частичного прекращения энергоснабжения или повреждения цепи управления энергоснабжением установите выключатель в положение выкл., Убедившись, что он не заблокирован (при его наличии). Отключите сетевую вилку от розетки или отсоедините съёмный аккумулятор. Этим предотвращается неконтролируемый повторный запуск.

Применение электроинструмента и обращение с ним

- ▶ **Не перегружайте электроинструмент. Используйте для работы соответствующий специальный электро-**

инструмент. С подходящим электроинструментом вы работаете лучше и надежнее в указанном диапазоне мощности.

- ▶ **Не работайте с электроинструментом при неисправном выключателе.** Электроинструмент, который не поддается включению или выключению, опасен и должен быть отремонтирован.
- ▶ **Перед тем как настраивать электроинструмент, заменять принадлежностей или убирать электроинструмент на хранение, отключите штепсельную вилку от розетки сети и/или выньте, если это возможно, аккумулятор.** Эта мера предосторожности предотвращает непреднамеренное включение электроинструмента.
- ▶ **Храните электроинструменты в недоступном для детей месте. Не разрешайте пользоваться электроинструментом лицам, которые не знакомы с ним или не читали настоящих инструкций.** Электроинструменты опасны в руках неопытных лиц.
- ▶ **Тщательно ухаживайте за электроинструментом и принадлежностями.** Проверяйте безупречную функцию и ход движущихся частей электроинструмента, отсутствие поломок или повреждений, отрицательно влияющих на функцию электроинструмента. Поврежденные части должны быть отремонтированы до использования электроинструмента. Плохое обслуживание электроинструментов является причиной большого числа несчастных случаев.
- ▶ **Держите режущий инструмент в заточенном и чистом состоянии.** Заботливо ухоженные режущие инструменты с острыми режущими кромками режут заклиниваются и их легче вести.
- ▶ **Применяйте электроинструмент, принадлежности, рабочие инструменты и т. П. В соответствии с настоящими инструкциями. Учитывайте при этом рабочие условия и выполняемую работу.** Использование электроинструментов для непредусмотренных работ может привести к опасным ситуациям.
- ▶ **Держите ручки и поверхности захвата сухими и чистыми, следите чтобы на них чтобы на них не было жидкой или консистентной смазки.** Скользкие ручки и поверхности захвата

препятствуют безопасному обращению с инструментом и не дают надежно контролировать его в непредвиденных ситуациях.

Применение и обслуживание аккумулятора инструмента

- ▶ Аккумулятор поставляется не полностью заряженным. Для обеспечения полной мощности аккумулятора зарядите его полностью перед первым применением.
- ▶ Используйте аккумуляторную батарею только в комбинации с Вашим инструментом P.I.T. Только так вы сможете предотвратить опасную перегрузку аккумулятора.
- ▶ Заряжайте аккумуляторы только в зарядных устройствах, рекомендуемых изготовителем. Зарядное устройство, предусмотренное для определенного вида аккумуляторов, может привести к пожарной опасности при использовании его с другими аккумуляторами.
- ▶ Применяйте в электроинструментах только предусмотренные для этого аккумуляторы. Использование других аккумуляторов может привести к травмам и пожарной опасности

Важные правила техники безопасности для работы с аккумуляторным блоком

ВНИМАНИЕ: Используйте только фирменные аккумуляторные батареи P.I.T.

Использование аккумуляторных батарей, не произведенных P.I.T., или батарей, которые были подвергнуты модификациям, может привести к взрыву аккумулятора, пожару, травмам и повреждению имущества. Это также автоматически аннулирует гарантию P.I.T. на инструмент и зарядное устройство P.I.T.

- ▶ Перед использованием аккумуляторного блока прочитайте все инструкции и предупреждающие надписи на зарядном устройстве, аккумуляторном блоке и инструменте, работающем от аккумуляторного блока.
- ▶ Не разбирайте аккумуляторный блок.
- ▶ Не роняйте и не ударяйте аккумуляторный блок.
- ▶ Не используйте поврежденный аккумуляторный блок
- ▶ Если время работы аккумуляторного блока значительно сократилось, немедленно прекратите работу. В противном случае,

может возникнуть перегрев блока, что приведет к ожогам и даже к взрыву.

▶ В случае попадания электролита в глаза промойте их обильным количеством чистой воды и немедленно обратитесь к врачу. Это может привести к потере зрения.

▶ Не замыкайте контакты аккумуляторного блока между собой:

(1) Не прикасайтесь к контактам какими-либо токопроводящими предметами.

(2) Не храните аккумуляторный блок в контейнере вместе с другими металлическими предметами, такими как гвозди, монеты и т. п.

(3) Не допускайте попадания на аккумуляторный блок воды или дождя. Замыкание контактов аккумуляторного блока между собой может привести к возникновению большого тока, перегреву, возможным ожогам и даже поломке блока.

▶ Не храните инструмент и аккумуляторный блок в местах, где температура может достигать или превышать 50 °C (122 °F).

▶ Не бросайте аккумуляторный блок в огонь, даже если он сильно поврежден или полностью вышел из строя. Аккумуляторный блок может взорваться под действием огня.

▶ При повреждении и ненадлежащем использовании аккумулятора может выделяться газ. Обеспечьте приток свежего воздуха и при возникновении жалоб обратитесь к врачу. Газы могут вызвать раздражение дыхательных путей.

▶ Время от времени прочищайте вентиляционные прорези аккумулятора мягкой, сухой и чистой кисточкой.

▶ Заряжайте блок аккумуляторов не допуская его полной разрядки. Обязательно прекратите работу с инструментом и зарядите блок, если вы заметили снижение мощности инструмента.

▶ Никогда не подзаряжайте полностью заряженный блок аккумуляторов. Перезарядка сокращает срок службы аккумулятора.

▶ Заряжайте блок аккумуляторов при комнатной температуре. Перед зарядкой горячего блока аккумуляторов дайте ему остыть.

▶ Зарядите литий-ионный аккумуляторный блок, если вы не будете пользоваться инструментом длительное время (более шести месяцев).

▶ Не вскрывайте аккумулятор. При этом возникает опасность короткого замыкания.

▶ Защищайте аккумуляторную батарею

от высоких температур, например, от длительного нагревания на солнце, от огня, воды и влаги. Существует опасность взрыва.

▶ Храните аккумулятор в диапазоне температур от 0 до 45°C. Не оставляйте аккумулятор летом в автомобиле.

▶ Входящие в комплект литий-ионные аккумуляторы должны эксплуатироваться в соответствии с требованиями законодательства об опасных товарах.

При коммерческой транспортировке, например, третьей стороной или экспедитором, необходимо нанести на упаковку специальные предупреждения и маркировку. В процессе подготовки устройства к отправке обязательно проконсультируйтесь со специалистом по опасным материалам. Также соблюдайте местные требования и нормы. Они могут быть строже.

Закройте или закрепите разомкнутые контакты и упакуйте аккумулятор так, чтобы он не перемещался по упаковке.

▶ Выполняйте требования местного законодательства относительно утилизации аккумуляторного блока.

Указания по технике безопасности при работе с цепными пилами

▶ Не разрешается работать с пилой лицам, не ознакомившимися с данной инструкцией по эксплуатации, детям, подросткам, а также лицам, находящимся под действием алкоголя, наркотиков или медикаментов.

▶ Убедитесь, что устройство собрано полностью в соответствии с инструкцией.

▶ Проверьте устройство, чтобы убедиться, что оно работает правильно, особенно проверьте правильное и надежное крепление шины, натяжку цепи в соответствии с правилами и правильную работу цепного тормоза.

▶ Регулярно проверяйте все винтовые соединения.

▶ Перед использованием убедитесь, что в рабочей зоне нет людей или животных. Убедитесь, что рабочая зона свободна от препятствий. Всегда следите за своим окружением, чтобы убедиться, что вы не подвергаете опасности людей или животных своей работой. Посторонние лица или животные не должны присутствовать на площади 15м вокруг рабочей зоны, так как в противном случае

они могут быть поражены предметами, отбрасываемыми в сторону.

▶ Никогда не работайте при плохом освещении или плохих погодных условиях.

▶ Держитесь подальше от движущейся цепи работающей пилы. Перед запуском пилы обязательно убедитесь в отсутствии контакта пильной цепи с какими либо предметами. Потеря внимания на короткое мгновение во время работы с цепной пилой может привести к захвату одежды или какой либо части тела пильной цепью.

▶ Всегда держите цепную пилу только за предусмотренную для этого рукоятку. Удержание цепной пилы в другом рабочем положении рук резко повышает опасность травмирования и поэтому недопустимо.

▶ Обязательно держите электроинструмент только за изолированные ручки, поскольку пильная цепь может задеть скрытую электропроводку. Контакт пильной цепи с находящейся под напряжением проводкой может заряжать металлические части электроинструмента и приводить к удару электрическим током.

▶ Обязательно надевайте защитные очки и средства защиты органов слуха. Рекомендуется также использовать средства индивидуальной защиты для головы, рук и ног. Подходящая защитная одежда и обувь снижает опасность травмирования вылетающей стружкой и при случайном контакте с движущейся пильной цепью.

▶ Не использовать цепную пилу, находясь на дереве, на лестнице, на крыше или другой неустойчивой поверхности. Подходящая эксплуатация цепной пилы может привести к серьезным травмам.

▶ Всегда следите за правильной стойкой и используйте цепную пилу только при стойке на прочном, безопасном и ровном грунте. Скользкое или нестабильное основание, напр., На лестнице, может привести к потере равновесия и, как следствие, к потере контроля над цепной пилой.

▶ При обрезании напряженных ветвей обязательно считайтесь с возможностью их неожиданного отпружинивания. При высвобождении механического напряжения древесных волокон выпрямляющиеся напряженные ветки могут попасть в работающего и/или привести

к потере контроля над цепной пилой.

- ▶ Будьте особенно осторожны при обрезании подлеска и молодых деревьев. Тонкий срезаемый материал, захваченный пильной цепью, может нанести неожиданный удар или вывести из состояния равновесия.
- ▶ Переносите цепную пилу только в выключенном состоянии, держа ее за рукоятку так, чтобы пильная цепь всегда смотрела в сторону от вашего корпуса тела. При транспортировке или хранении цепной пилы всегда надевайте на нее защитный кожух. Внимательное обращение с цепной пилой резко снижает вероятность случайного контакта с движущейся пильной цепью.
- ▶ Тщательно выполняйте все указания по смазке и натяжению цепи и своевременно заменяйте принадлежности. Неправильно или недостаточно хорошо натянута или несмазанная цепь существенно повышает опасность появления рывков или отдачи инструмента.
- ▶ Содержите рукоятку пилы в сухом и чистом состоянии и своевременно удаляйте попавшие на нее масло и жиры. Жирные или замасленные рукоятки становятся скользкими, что ведет к потере контроля над пилой.
- ▶ Используйте инструмент только для распилки древесины. Не используйте цепную пилу для выполнения работ, не предусмотренных в инструкции по эксплуатации. Пример: не используйте цепную пилу для распилки пластмасс, каменной кладки или недревесных строительных материалов. Применение цепной пилы для выполнения работ не по прямому назначению может привести к чрезвычайно опасным ситуациям.
- ▶ Причины и возможность исключения отдачи пилы:
 - Отдача может возникнуть при контакте острия направляющей шины с каки либо предметом или при изгибе древесины, приводящем к зажатию пильной цепи в пропиле.
 - Прикасание острия шины к постороннему предмету может привести в ряде случаев к неожиданному и направленному назад отскоку, при котором направляющая шина откидывается вверх в направлении оператора.
 - Зажатие верхнего края направляющей шины пильной цепи может привести к

быстрому отскоку шины в направлении оператора.

- Каждая такая реакция может привести к потере контроля над пилой и тяжелой травме. Не полагайтесь только на встроенные в пиле предохранительные устройства обеспечения безопасности. Пользователи цепной пилы должны принять все возможные меры предосторожности для обеспечения безопасной работы.
- ▶ Отдача является следствием ошибочного или неправильного использования электроинструмента. Последнее можно предотвратить подходящими мерами предосторожности, описанными далее.
- ▶ Крепко держите пилу двумя руками, при этом пальцы должны хорошо охватывать рукоятку цепной пилы. Занимайте такое положение и всегда держите руки так, чтобы при необходимости надежно противостоять силам отдачи. При принятии надлежащих мер предосторожности оператор может совладать с усилиями отдачи. Никогда не выпускайте из рук включенную цепную пилу.
- ▶ Избегайте непригодных для работы положений корпуса и не пилите на уровне выше плеч. Это позволит исключить случайные прикасания острия шины к окружающим предметам и обеспечит лучший контроль за цепной пилой в непредвиденных ситуациях.
- ▶ Всегда используйте только предписанные изготовителем запасные шины и пильные цепи. Использование непригодных шин и пильных цепей может привести к разрывам цепи или отдаче.
- ▶ Выполняйте указания изготовителя при заточке и выполнении технического обслуживания пильной цепи. Слишком низко установленные ограничители глубины повышают возможность отдачи.

Дополнительные предупреждения

- ▶ Пользователю пилы перед первым ее запуском в эксплуатацию рекомендуется получить инструктаж по работе с пилой и использованию ее защитных приспособлений от опытного оператора в реальных условиях. В качестве первого упражнения рекомендуется распиловка ствола дерева, уложенного на козлах или на соответствующей подставке.
- ▶ Этот электроинструмент не предназна-

чен для использования лицами (включая детей) с ограниченными психическими или сенсорными способностями, с нарушениями психического здоровья, а также с недостаточным опытом/знаниями, исключая случаи, когда эксплуатация осуществляется такими лицами под наблюдением ответственного за их безопасность либо после получения от ответственного за безопасность соответствующих разъяснений относительно эксплуатации данного электроинструмента. Необходимо проследить, чтобы дети не играли с электроинструментом.

- ▶ Детям и подросткам, за исключением учеников профессиональных школ возрастом старше 16 лет, не разрешается работать с цепными пилами. Это же относится и к лицам, не знакомым или недостаточно знакомым с особенностями работы с цепными пилами. Инstrukция по эксплуатации должна всегда находиться поблизости в удобно доступном месте.

Запрещается работать с цепной пилой в состоянии сильной усталости, а также лицам, не выдерживающим соответствующие физические нагрузки.

- ▶ Убедитесь, что при эксплуатации инструмента монтированы все защитные устройства и рукоятки. Никогда не пытайтесь работать с неполностью собранным инструментом или инструментом, в котором были выполнены недопустимые изменения.
- ▶ Дайте электроинструменту полностью остановиться и только после этого выпустите его из рук.
- ▶ Никогда не снимайте и не изменяйте защитный щиток!

Описание продукта и услуг

Прочтите все указания и инструкции по технике безопасности.

Указания в отношении указаний и инструкций по технике безопасности могут стать причиной поражения электрическим током, пожара и тяжелых травм.

Назначение

Аккумуляторная цепная пила предназначена для работы в саду при уходе за растущими деревьями и работ в кроне дерева, распила и обрезания веток деревьев, проведения работ по распиловке деревянных заготовок в соответствии с допустимой длиной резания.

Работа с пилой может осуществляться только с материалами из дерева, при работе с другими материалами возможно повреждение пильной гарнитуры. Повреждения пильной гарнитуры не являются гарантийным случаем.

Данная аккумуляторная цепная пила не предназначена для работ по валке деревьев и заготовке дров. Для этого вида работ необходимо использовать более мощные цепные пилы.

Изображенные составные части

Нумерация представленных компонентов выполнена по изображению на странице с иллюстрациями.

1. Корпус электродвигателя
2. Кнопка блокировки включения
3. Ручка
4. Аккумуляторная батарея
5. Клавиша выключателя.
6. Гайка фиксации крышки
7. Пильная цепь
8. Направляющая шина
9. Защитный кожух
10. Кожух
11. Ведущая звездочка
12. Винт натяжителя цепи
13. Крышка ведущей звездочки

Технические характеристики

Модель	РКЕ20Н-150А
Номинальное напряжение	20В пост. тока
Скорость холостого хода	3100 об/мин
Скорость вращения цепи	6.5 м/с
Длина пильной шины	150 мм(6")
Вес	1,6 кг

Примечание

В тексте и цифровых обозначениях инструкции могут быть допущены технические ошибки и опечатки.

Так как изделие постоянно совершенствуется, P.I.T. оставляет за собой право на внесение изменений в указанные здесь технические характеристики и комплектацию изделия без предварительного уведомления.

Комплект поставки

Аккумуляторная цепная пила	1 шт
Направляющая шина	1 шт
Пильная цепь	1 шт

Масленка	1 шт
Кожух	1 шт
Инструкция по эксплуатации	1 шт

Сборка

Внимание! До начала работ по техобслуживанию, смене оснастки и т. д., а также при транспортировке и хранении извлекайте аккумулятор из электроинструмента. При непреднамеренном включении возникает опасность травмирования.

- ▶ Не прикасайтесь к пыльной цепи голыми руками.
- ▶ Всегда надевайте перчатки при работе с пыльной цепью.

Зарядка аккумулятора

- ▶ **Пользуйтесь только зарядными устройствами, указанными в технических параметрах.** Только эти зарядные устройства пригодны для литиево-ионного аккумулятора Вашего электроинструмента.

Указание: Аккумуляторная батарея поставляется в частично заряженном состоянии. Для обеспечения полной мощности аккумулятора зарядите его полностью перед первым применением.

Литий-ионный аккумулятор может быть заряжен в любое время без сокращения срока службы. Прекращение процесса зарядки не наносит вреда аккумулятору.

Литиево-ионная аккумуляторная батарея защищена от глубокой разрядки. Защитная схема выключает электроинструмент при разряженном аккумуляторе – рабочий инструмент останавливается.

- ▶ **После автоматического выключения электроинструмента не нажимайте больше на выключатель.** Аккумулятор может быть поврежден. **Учитывайте указания по утилизации.**

Извлечение аккумулятора

Аккумулятор оснащен двумя ступенями фиксирования, призванными предотвращать выпадение аккумулятора при непреднамеренном нажатии на кнопку разблокировки. Пока аккумулятор находится в электроинструменте, пружина держит его в соответствующем положении.

Чтобы извлечь аккумуляторную батарею, нажмите на кнопку разблокировки и извлеките аккумулятор из электроинструмента. Не применяйте при этом силы.

Индикатор заряженности аккумуляторной батареи

Зеленые светодиоды на индикаторе за-

ряженности аккумулятора показывают уровень его заряда. По причинам безопасности индикатор заряженности активен только в состоянии покоя электроинструмента.

Нажмите кнопку индикатора заряженности аккумулятора чтобы отобразить степень заряженности аккумуляторной батареи. Это возможно также и при извлеченной аккумуляторной батарее. Если после нажатия на кнопку индикатора заряженности аккумуляторной батареи не загорается ни один светодиодный индикатор, аккумулятор неисправен и должен быть заменен.

Работа и значение элементов индикатора зарядного устройства

1. Зарядное устройство включено в сеть светится зеленый индикатор
2. При установке аккумулятора на зарядное моргает зеленый индикатор
3. При полной зарядке аккумулятора - зеленый индикатор начинает светиться постоянно
4. При неисправности зарядного устройства или аккумулятора моргает красный индикатор.

Монтаж направляющей шины (см. рис. А-Д)

ПРЕДУПРЕЖДЕНИЕ! Пильная цепь имеет очень острые края. В целях безопасности используйте защитные перчатки.

- ▶ Разместите пилу на столе или на полу.
- ▶ Ослабьте гайку (6) на крышке звездочки (12) и снимите крышку звездочки.
- ▶ Поместите цепь (7) в углубление шины (8), обратите внимание на направление движения, обозначенное символом.
- ▶ Наденьте звенья цепи на звездочку (11) и наденьте шину так, чтобы один установочный штифт вошел в отверстие шины.
- ▶ Установите крышку (13) и затяните гайку (6) на крышке звездочки.

Регулировка натяжения цепи (см. рисунок Е-Ф)

ПРЕДУПРЕЖДЕНИЕ! Пильная цепь имеет очень острые края. В целях безопасности используйте защитные перчатки.

- ▶ Натяжение цепи может ослабнуть после длительного использования. Время от времени проверяйте натяжение цепи.
- ▶ Для проверки возьмите пилу и ухватившись за цепь посередине направляющей шины поднимите ее. Зазор между направляющей шиной и цепью должен составлять около 2 - 3 мм. Если зазор

не соответствует ослабьте гайку(6) и отрегулируйте натяжение цепи, подкрутив регулировочный винт(12) с помощью отвертки. Зазор будет автоматически установлен на приблизительно 2-3 мм пружиной регулировки натяжения цепи.

- ▶ Затем надежно затяните гайку (6), убедившись, что зазор составляет приблизительно 2 - 3 мм.

Эксплуатация

Смазка цепи (см. рисунок G-1)

Внимание! Перед смазкой цепи убедитесь, что инструмент выключен и аккумуляторный блок снят.

- ▶ Пила не оснащена системой смазки цепи, поэтому рекомендуется смазывать пильную цепь и шину с помощью масляного шприца или другой технической емкостью с цепным маслом. Для того, чтобы цепь и шина прослужили долго, смазывайте их каждые 10-15 пропилов веток или дровесины среднего диаметра 5-10 см.

Примечание! При обрезке фруктовых деревьев используйте растительное масло. Минеральное масло может нанести вред деревьям.

Внимание! Запрещено применение отработанного масла, так как это может вызвать повреждение пильной гарнитуры.

- ▶ Отсоедините батарею и очистите направляющую шину и пильную цепь от опилок мягкой щеткой.
- ▶ Нанесите специальное масло в паз между направляющей шиной и пильной цепью с двух сторон.
- ▶ Включите цепную пилу и масло равномерно распределяется по цепи.

Порядок работы

Перед началом работы необходимо проверить готовность пилы к работе в соответствии с предписаниями.

В первую очередь проверьте правильную установку шины, правильность заточки и установки пильной цепи, крепеж звездочки, легкость движения выключателя, функционирование кнопки пуска и кнопки предохранителя от случайных включений, правильность установки аккумулятора. Проследите, чтобы рукоятки пилы были сухими и чистыми.

- ▶ Чтобы запустить пилу, зажмите кнопку блокировки включения от случайного нажатия (2).
- ▶ Затем, не отпуская кнопку блокировки

(2), нажмите на выключатель(5). Цепь пилы начнет вращаться.

- ▶ Чтобы остановить пилу, отпустите выключатель.
- ▶ В случае необходимости экстренно остановить пилу необходимо:
 - Отпустить кнопку включения.
 - Отсоединить аккумулятор от пилы.

Обрезка веток

- ▶ Начинайте обрезку веток деревьев снизу вверх, исключите возможность зависания спиливаемой ветки в кроне дерева.
- ▶ Всегда во время работы занимайте устойчивое положение.
- ▶ Обрезку производите пилой, держа ее на высоте не выше уровня груди.
- ▶ При обрезке ветвей под нагрузкой занимайте положение, исключающее удар со стороны, противоположной изгибу.
- ▶ Начинайте работу на полных оборотах электродвигателя цепной пилы.
- ▶ Извлекайте пилу из древесины только с движущейся пильной цепью.
- ▶ Тонкие ветви пропиливайте одним резов.
- ▶ Тонкие ветви легко могут застрять между звеньями цепи и поранить оператора, будьте предельно осторожны при обрезке мелкого кустарника и тонких ветвей деревьев.
- ▶ Толстые ветки пропиливайте с двух сторон, сначала сделайте разрез на ¼ диаметра снизу, а затем сверху.
- ▶ Будьте предельно внимательны и не подносите носок пильной шины до касания с предметом, это вызывает мгновенный обратный удар, при котором шина будет резко отброшена назад и вверх по направлению к оператору.
- ▶ Если вы не можете разрезать древесину насквозь одним пропилом: слегка надавите на рукоятку и продолжайте пилить, отведя пилу немного назад; затем переместите упор пилы немного ниже и завершите рез, подняв ручку.

Техобслуживание и сервис

Техобслуживание и очистка

Внимание! Прежде чем приступать к проверке или техническому обслуживанию, всегда убедитесь, что инструмент выключен и аккумуляторный блок снят.

- ▶ Всегда надевайте перчатки при выполнении любых проверок или технического обслуживания.

Компания Р.І.Т. не несет ответственности за вред, который может быть причинен при работе с электроинструментом.

3. В гарантийный ремонт инструмент принимается в чистом виде, при обязательном наличии надлежащим образом оформленных документов: настоящего гарантийного свидетельства, гарантийного талона, с полностью заполненными полями, штампом торговой организации и подписью покупателя.

4. Гарантийный ремонт не производится в следующих случаях:

- при отсутствии гарантийного свидетельства и гарантийного талона или неправильном их оформлении;
- степень износа диаметра коллектора ротора двигателя превышает 0,4 мм (за исключением инструментов с бесщеточным двигателем);
- при совместном выходе из строя якоря и статора электродвигателя, при обугливании или оплавлении первичной обмотки трансформатора сварочного аппарата, зарядного или пуско-зарядного устройства, при оплавлении внутренних деталей, прожиге электронных плат и других случаях;
- если гарантийное свидетельство или талон не принадлежат данному электроинструменту или не соответствует установленному поставщиком образцу;
- по истечении срока гарантии;
- при попытках самостоятельного вскрытия или ремонта электроинструмента вне гарантийной мастерской;
- внесения конструктивных изменений и смазки инструмента в гарантийный период, о чем свидетельствуют, например, заломы на шлицевых частях крепежа корпусных деталей;
- при использовании электроинструмента в производственных или иных целях, связанных с получением прибыли, а также при возникновении неисправностей связанных с нестабильностью параметров электросети, превышающих нормы, установленные ГОСТ;
- при неправильной эксплуатации, использованию электроинструмента не по назначению, указанному в инструкции по эксплуатации, установки на электроинструмент не предназначенных заводом-изготовителем насадок, дополнительных приспособлений и т.п.;
- при механических повреждениях корпуса, сетевого шнура и при повреждениях,

вызванных воздействиями агрессивных средств и высоких и низких температур, попадании инородных предметов в вентиляционные решетки электроинструмента, а также при повреждении, наступивших в результате неправильного хранения (коррозия металлических частей);

- при естественном износе деталей электроинструмента, в результате длительной эксплуатации (определяется по признакам полной или частичной выработки ресурса, сильного загрязнения, ржавчины снаружи и внутри электроинструмента, отработанной смазки в редукторе);
- при возникновении повреждений в связи с несоблюдением предусмотренных инструкцией условий эксплуатации (см. главу «Указание по технике безопасности» в инструкции).
- при повреждении изделия вследствие несоблюдения правил хранения и транспортировки;
- при сильном внутреннем загрязнении инструмента;
- при работе с перегрузкой бензоинструмента, изменении цвета чашки и муфты сцепления в результате перегрева;
- при обрыве шнура стартера при условии исправности остальных деталей пускового устройства;
- на все виды работ, выполняемые при периодическом техническом обслуживании (регулировки, чистке, замене расходных материалов и др.);
- на неисправности, возникшие в результате нарушения требований и правил эксплуатации, установленным паспортом изделия. Например, перегрев изделия, несоблюдение требований к составу и качеству топливной смеси, повлекших выход из строя поршневой группы (безусловным признаком этого является залегание поршневого кольца и/или наличие царапин и потертостей на внутренней поверхности цилиндра и поверхности поршня, разрушение или оплавление опорных подшипников шатуна и поршневого пальца);
- на внешние и внутренние загрязнения, царапины, трещины, повреждения, возникшие в процессе эксплуатации или транспортировки.
- при работе электроинструментом с перегрузкой и заклиниванием оснастки, о чем свидетельствуют задиры, изменение цвета от температуры упорных и прижимных шайб, зажимного патрона, выхода из строя

редуктора.

Профилактическое обслуживание электроинструмента (чистка, промывка, смазка, замена пыльников, поршневых и уплотнительных колец) в гарантийный период является платной услугой.

Срок службы изделия составляет 3 года.

Срок хранения – 2 года. Не рекомендуется к эксплуатации по истечении 2 лет хранения с даты изготовления, которая указана в серийном номере на этикетке инструмента, без предварительной проверки (определение даты выпуска смотрите ранее в Руководстве пользователя).

О возможных нарушениях, изложенных выше условий гарантийного обслуживания, владельцу сообщается после проведения диагностики в сервисном центре. Владелец инструмента доверяет проведение диагностики в сервисном центре в свое отсутствие.

Запрещается эксплуатация электроинструмента при проявлении признаков повышенного нагрева, искрения, а также шума в редукторной части. Для выяснения причин неисправности покупателю следует обратиться в гарантийную мастерскую.

Неисправности, вызванные несвоевременной заменой угольных щеток двигателя, устраняются за счет покупателя.

5.Гарантия не распространяется на:

- сменные принадлежности (аксессуары и оснастка), например: аккумуляторы, диски, ножи, сверла, буры, патроны, цепи, звездочки, цанговые зажимы, шины, элементы натяжения и крепления, головки триммеров, подошвы шлифовальных и ленточных машин, фильтры, головки шестигранные сменные насадки и т.п.

- быстроизнашивающиеся детали, например: угольные щетки, приводные ремни, сальники, защитные кожухи, направляющие ролики, направляющие, резиновые уплотнения, подшипники, зубчатые ремни и колеса, стволы, ленты тормоза, храповики и тросы стартеров, поршневые кольца и т.п.

Замена их в течение гарантийного срока является платной услугой.

- шнуры питания, в случае повреждения изоляции. В данном случае потребитель должен быть уведомлен и ремонт (услуга платная) должен быть выполнен после согласия потребителя. Если потребитель не согласен на замену, то в любом ремонте этого инструмента будет отказано. Факт

отказа должен быть зафиксирован в гарантийном талоне или квитанции сервисного центра и подписан владельцем.

Поиск и устранение неисправностей

Прежде чем обращаться по поводу ремонта, проведите осмотр самостоятельно. Если обнаружена неисправность, не указанная в руководстве, не пытайтесь разобрать инструмент. Обратитесь в один из авторизованных сервисных центров P.I.T., в которых для ремонта всегда используются оригинальные детали P.I.T..

Неисправность	Причина	Действие
Цепная пила не включается.	Не правильно подключена аккумуляторная батарея.	Снимите аккумуляторную батарею и установите её должным образом.
	Аккумуляторная батарея разряжена.	Извлеките и зарядите аккумуляторную батарею.
	Аккумуляторная батарея повреждена.	Обратитесь за помощью в сервисный центр.
Инструмент не достигает полной мощности.	<ol style="list-style-type: none"> 1. Слишком низкая емкость аккумуляторных батарей 2. Вентиляционные отверстия заблокированы. 3. Слишком сильное натяжение цепи. 	<ol style="list-style-type: none"> 1. Зарядите аккумуляторные батареи. 2. Очистите вентиляционные отверстия. 3. Правильно отрегулируйте натяжение пильной цепи.
Результат распила неудовлетворительный.	<ol style="list-style-type: none"> 1. Натяжение цепи слишком слабое/сильное. 2. Затупившаяся пильная цепь. 3. Зубья цепи направлены в неправильном направлении. 4. Приложено чрезмерное усилие. 	<ol style="list-style-type: none"> 1. Правильно отрегулируйте натяжение пильной цепи. 2. Заточите или замените пильную цепь. 3. Установите пильную цепь правильно. 4. Уменьшите усилие.
Пила внезапно останавливается.	Разряжена аккумуляторная батарея.	Извлеките и зарядите аккумуляторную батарею.
	Высокая температура аккумуляторной батареи.	Извлеките аккумуляторную батарею и дайте ей остыть.
Чрезмерная вибрация или шум.	Крепёжные элементы ослаблены.	Затяните все крепёжные элементы.
	Затупившаяся пильная цепь.	Заточите или замените пильную цепь.

P.I.T. WARRANTY CERTIFICATE

Product Name _____

Product Serial Number

Battery Serial Number

Charger Serial Number

Sale Date _____

Trade Organization Name _____



Dear customer!

Thank you for purchasing the P.I.T. tool, and we hope that you will be satisfied with your choice. In the process of manufacturing the P.I.T. tools pass multilevel quality control, if nevertheless your product will need maintenance, please contact the authorized P.I.T. service centers.

Attention!

When buying, ask a seller to check the completeness and operability of the tool, to fill out the Warranty Certificate, the Warranty Card (the boxes shall be filled out by a seller) and to affix the seal of the trade organization in the Guarantee Certificate and the Warranty Card.

Warranty

By this Warranty Certificate, P.I.T. company guarantees the absence of defects of the production nature.

In the event any of the above defects are detected during the warranty period, the specialized P.I.T. service centers shall repair the product and replace the defective spare parts free of charge.

The warranty period for P.I.T. electric machines is 12 months from the date of sale.

“The warranty maintenance terms acknowledged and accepted. The operability and completeness of the product are checked in my presence. No claims on quality and appearance.”

Buyer's Signature _____ Surname (legibly) _____

Phone _____

ГАРАНТИЙНОЕ СВИДЕТЕЛЬСТВО НА ИНСТРУМЕНТ P.I.T.

Наименование изделия _____

Серийный номер изделия □□□□□□□□□□

Серийный номер аккумулятора □□□□□□□□□□

Серийный номер зарядного устройства □□□□□□□□□□

Дата продажи « ____ » _____

Наименование торговой организации _____

Уважаемый покупатель!



Благодарим Вас за покупку инструмента P.I.T. и надеемся, что Вы останетесь довольны своим выбором.

При необходимости обслуживания Вашего изделия обращайтесь в авторизованные сервисные центры P.I.T. Все сервисные центры представлены на сайте www.pittools.ru

Внимание!

При покупке требуйте у продавца проверки работоспособности инструмента и его комплектности, а также заполнения гарантийного свидетельства, гарантийного талона (графы «Заполняются продавцом») и простановки печати торговой организации в гарантийном свидетельстве и гарантийных талонах.

Гарантия

На основании данного гарантийного свидетельства компания P.I.T. гарантирует отсутствие дефектов производственного характера.

Если в течение гарантийного срока в Вашем изделии обнаружатся указанные дефекты, то специализированные сервисные центры P.I.T. бесплатно отремонтируют изделие и заменят дефектные запасные части.

Гарантийный срок на электроинструменты P.I.T. составляет 12 месяцев со дня продажи.

«С условиями гарантийного обслуживания ознакомлен(а). Работоспособность и комплектность изделия проверены в моем присутствии. Претензий к качеству и внешнему виду не имею».

Подпись покупателя _____ Фамилия (разборчиво) _____

Телефон _____

P.I.T. WARRANTY CARD

Name _____ Serial Number _____ Sale Date _____ 20__ Date of Receipt from Repair _____ 20__	P.I.T.		№ 1
	Name _____		
	Serial Number _____		
	Sale Date _____ 20__		Place of Seal
	(Filled out by a Seller)		
	WARRANTY REPAIR CARD		
	Date of Acceptance for Repair _____ 20__		
	Application for Repair _____		
	Customer _____		
	Phone (Address) _____		
Cause of Application _____			
Date of Receipt from Repair _____ 20__			
The Tool is checked in my presence _____			
(The Order shall be performed in a Service Center) (Signature)			

Name _____ Serial Number _____ Sale Date _____ 20__ Date of Receipt from Repair _____ 20__	P.I.T.		№ 2
	Name _____		
	Serial Number _____		
	Sale Date _____ 20__		Place of Seal
	(Filled out by a Seller)		
	WARRANTY REPAIR CARD		
	Date of Acceptance for Repair _____ 20__		
	Application for Repair _____		
	Customer _____		
	Phone (Address) _____		
Cause of Application _____			
Date of Receipt from Repair _____ 20__			
The Tool is checked in my presence _____			
(The Order shall be performed in a Service Center) (Signature)			

Name _____ Serial Number _____ Sale Date _____ 20__ Date of Receipt from Repair _____ 20__	P.I.T.		№ 3
	Name _____		
	Serial Number _____		
	Sale Date _____ 20__		Place of Seal
	(Filled out by a Seller)		
	WARRANTY REPAIR CARD		
	Date of Acceptance for Repair _____ 20__		
	Application for Repair _____		
	Customer _____		
	Phone (Address) _____		
Cause of Application _____			
Date of Receipt from Repair _____ 20__			
The Tool is checked in my presence _____			
(The Order shall be performed in a Service Center) (Signature)			

ГАРАНТИЙНЫЙ ТАЛОН P.I.T.

P.I.T.

Талон № 1

Наименование _____

Серийный номер _____

Дата продажи « ____ » _____ 20__

(Заполняется продавцом)

КАРТА ГАРАНТИЙНОГО РЕМОНА

Дата приема ремонт _____ 20__

Заявка на ремонт _____

Заказчик _____

Телефон (адрес) _____

Причина обращения _____

Дата получения от ремонта _____ 20__

Инструмент проверен в моем присутствии _____

(Заказ заполняется в Сервисном Центре) (Подпись)

Место печати
или штампа

Наименование _____
 Серийный номер _____
 Дата продажи _____ 20__
 Дата получения от ремонта _____ 20__

P.I.T.

Талон № 2

Наименование _____

Серийный номер _____

Дата продажи « ____ » _____ 20__

(Заполняется продавцом)

КАРТА ГАРАНТИЙНОГО РЕМОНА

Дата приема ремонт _____ 20__

Заявка на ремонт _____

Заказчик _____

Телефон (адрес) _____

Причина обращения _____

Дата получения от ремонта _____ 20__

Инструмент проверен в моем присутствии _____

(Заказ заполняется в Сервисном Центре) (Подпись)

Место печати
или штампа

Наименование _____
 Серийный номер _____
 Дата продажи _____ 20__
 Дата получения от ремонта _____ 20__

P.I.T.

Талон № 3

Наименование _____

Серийный номер _____

Дата продажи « ____ » _____ 20__

(Заполняется продавцом)

КАРТА ГАРАНТИЙНОГО РЕМОНА

Дата приема ремонт _____ 20__

Заявка на ремонт _____

Заказчик _____

Телефон (адрес) _____

Причина обращения _____

Дата получения от ремонта _____ 20__

Инструмент проверен в моем присутствии _____

(Заказ заполняется в Сервисном Центре) (Подпись)

Место печати
или штампа

Наименование _____
 Серийный номер _____
 Дата продажи _____ 20__
 Дата получения от ремонта _____ 20__



P.I.T.

Media account

 [pit_global](#)  [PIT Global](#)  [YouTube](#) [PIT Global](#)

 bod@pit-tools.com  www.pit-tools.com