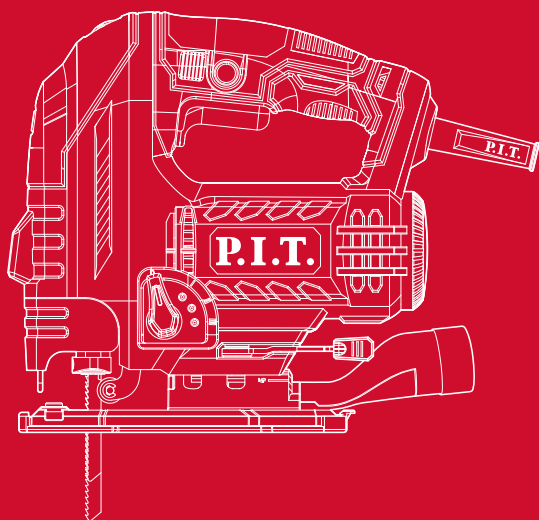


P.I.T.

PST90-C2



JIG SAW ЛОБЗИК

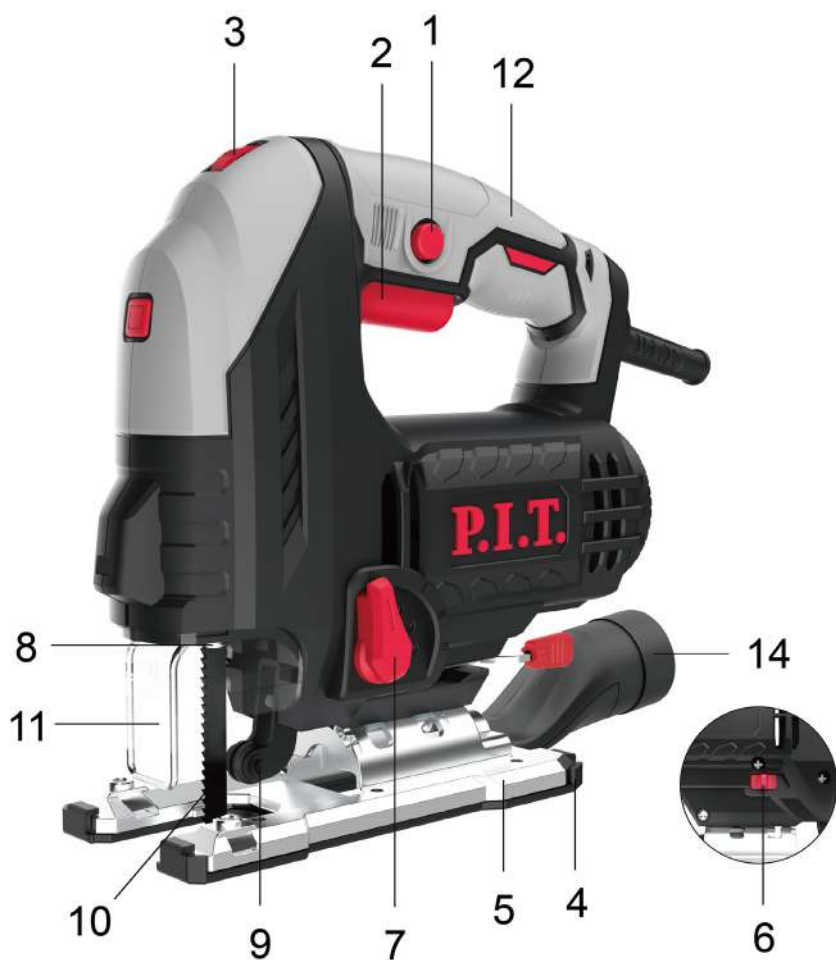
900W

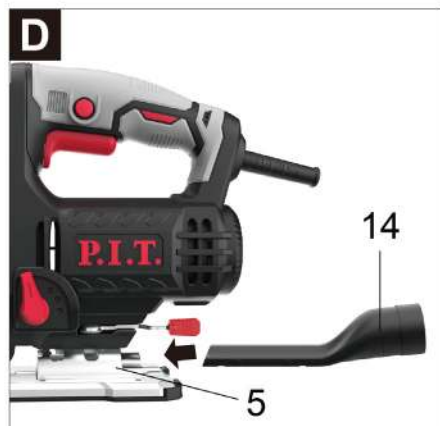
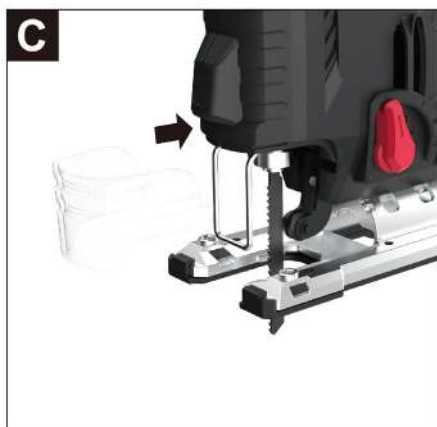
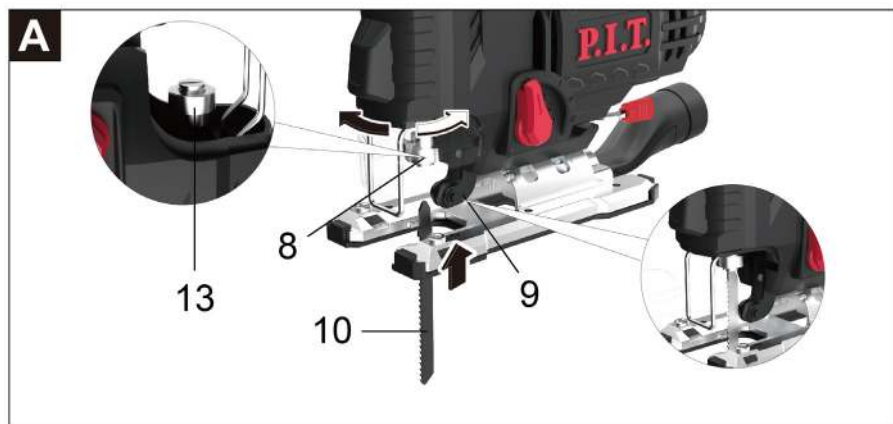
**Powerful
Efficient**

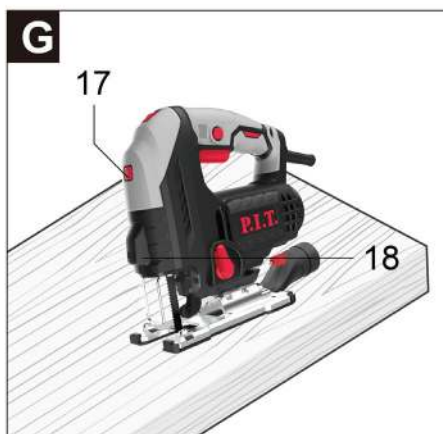
Please read the instruction manual carefully before use!
Пожалуйста, внимательно прочтите инструкцию перед использованием!



EAC







English

Safety notes

General power tool safety warnings



WARNING Read all safety warnings and all instructions.

Failure to follow the warnings and instructions may result in electric shock, fire and/or serious injury.

Save all warnings and instructions for future reference. The term "power tool" in the warnings refers to your mainsoperated (corded) power tool or battery-operated (cordless) power tool.

Work area safety

- ▶ **Keep work area clean and well lit.** Cluttered or dark areas invite accidents.
- ▶ **Do not operate power tools in explosive atmospheres, such as in the presence of flammable liquids, gases or dust.** Power tools create sparks which may ignite the dust or fumes.
- ▶ **Keep children and bystanders away while operating a power tool.** Distractions can cause you to lose control.

Electrical safety

- ▶ **Power tool plugs must match the outlet. Never modify the plug in any way. Do not use any adapter plugs with earthed (grounded) power tools.** Unmodified plugs and matching outlets will reduce risk of electric shock.
- ▶ **Avoid body contact with earthed or grounded surfaces, such as pipes, radiators, ranges and refrigerators.** There is an increased risk of electric shock if your body is earthed or grounded.
- ▶ **Do not expose power tools to rain or wet conditions.** Water entering a power tool will increase the risk of electric shock.
- ▶ **Do not abuse the cord. Never use the cord for carrying, pulling or unplugging the power tool. Keep cord away from heat, oil, sharp edges and moving parts.** Damaged or entangled cords increase the risk of electric shock.
- ▶ **When operating a power tool outdoors, use an extension cord suitable for outdoor use.** Use of a cord suitable for outdoor use reduces the risk of electric shock.
- ▶ **If operating a power tool in a damp location is unavoidable, use a residual current device (RCD) protected supply.** Use of an RCD reduces the risk of electric shock.

Personal safety

- ▶ **Stay alert, watch what you are doing and use common sense when operating a power tool. Do not use a power tool while you are tired or under the influence of drugs, alcohol or medication.** A moment of inattention while operating power tools may result in serious personal injury.
 - ▶ **Use personal protective equipment. Always wear eye protection.** Protective equipment such as dust mask, nonskid safety shoes, hard hat, or hearing protection used for appropriate conditions will reduce personal injuries.
 - ▶ **Prevent unintentional starting. Ensure the switch is in the off position before connecting to power source and/or battery pack, picking up or carrying the tool.** Carrying power tools with your finger on the switch or energising power tools that have the switch on invites accidents.
 - ▶ **Remove any adjusting key or wrench before turning the power tool on.** A wrench or a key left attached to a rotating part of the power tool may result in personal injury.
 - ▶ **Do not overreach. Keep proper footing and balance at all times.** This enables better control of the power tool in unexpected situations.
 - ▶ **Dress properly. Do not wear loose clothing or jewellery. Keep your hair, clothing and gloves away from moving parts.** Loose clothes, jewellery or long hair can be caught in moving parts.
 - ▶ **If devices are provided for the connection of dust extraction and collection facilities, ensure these are connected and properly used.** Use of dust collection can reduce dust-related hazards.
- #### Power tool use and care
- ▶ **Do not force the power tool. Use the correct power tool for your application.** The correct power tool will do the job better and safer at the rate for which it was designed.
 - ▶ **Do not use the power tool if the switch does not turn it on and off.** Any power tool that cannot be controlled with the switch is dangerous and must be repaired.
 - ▶ **Disconnect the plug from the power source and/or the battery pack from the power tool before making any adjustments, changing accessories, or stor-**

ing power tools. Such preventive safety measures reduce the risk of starting the power tool accidentally.

- ▶ **Store idle power tools out of the reach of children and do not allow persons unfamiliar with the power tool or these instructions to operate the power tool.** Power tools are dangerous in the hands of untrained users.
- ▶ **The appliance is not intended for use by persons (including children) with reduced physical, sensory or mental capabilities or lack of experience or knowledge, unless they are supervised or instructed to use the appliance by a person responsible for their safety.**
- ▶ **Maintain power tools. Check for misalignment or binding of moving parts, breakage of parts and any other condition that may affect the power tool's operation. If damaged, have the power tool repaired before use.** Many accidents are caused by poorly maintained power tools.
- ▶ **Keep cutting tools sharp and clean.** Properly maintained cutting tools with sharp cutting edges are less likely to bind and are easier to control.
- ▶ **Use the power tool, accessories and tool bits etc. in accordance with these instructions, taking into account the working conditions and the work to be performed.** Use of the power tool for operations different from those intended could result in a hazardous situation.

Safety instructions for jig saws

- ▶ **Hold the power tool by insulated gripping surfaces, when performing an operation where the cutting accessory may contact hidden wiring or its own cord.** Cutting accessory contacting a "live" wire may make exposed metal parts of the power tool "live" and could give the operator an electric shock.
- ▶ **Use clamps or another practical way to secure and support the workpiece to a stable platform.** Holding the workpiece by hand or against your body leaves it unstable and may lead to loss of control.
- ▶ **Keep hands away from the sawing area. Do not reach under the workpiece.** Contact with the saw blade can lead to injuries.
- ▶ **Only bring the power tool into contact with the workpiece when switched on.** Otherwise there is danger of kickback if

the cutting tool jams in the workpiece.

- ▶ **Ensure that the footplate always rests securely while sawing.** A jammed saw blade can break or lead to kickback.
- ▶ **When the cut is completed, switch off the power tool and then pull the saw blade out of the cut only after it has come to a standstill.** In this manner you can avoid kickback and can place down the power tool securely.
- ▶ **Always wait until the power tool has come to a complete stop before placing it down.** The application tool can jam and cause you to lose control of the power tool.
- ▶ **Use only undamaged saw blades that are in perfect condition.** Bent or dull saw blades can break, negatively influence the cut, or lead to kickback.
- ▶ **Do not brake the saw blade to a stop by applying side pressure after switching off.** The saw blade can be damaged, break or cause kickback.
- ▶ **Use suitable detectors to determine if utility lines are hidden in the work area or call the local utility company for assistance.** Contact with electric lines can lead to fire and electric shock. Damaging a gas line can lead to explosion. Penetrating a water line causes property damage or may cause an electric shock.
- ▶ **The touch guard mounted on the housing prevents unintentional contact with the saw blade during operation; you can't take it off.**
- ▶ **Only plunge saw on soft materials such as wood, drywall, etc.**

Product description and specifications



Read all the safety and general instructions. Failure to observe the safety and general instructions may result in electric shock, fire and/or serious injury.

Please observe the illustrations at the beginning of this operating manual.

Intended use

The power tool is intended for making separating cuts and cut-outs in wood, plastic, metal, ceramic plates and rubber while resting firmly on the workpiece. It is suitable for straight and curved cuts with mitre/bevel angles of up to 45°. Note the saw blade recommendations.

Product features

The numbering of the product features refers

to the diagram of the power tool on the graphics page.

- (1) On/off switch locking mechanism
- (2) On/off switch
- (3) Stroke rate preselection thumbwheel
- (4) Jacket
- (5) Base plate
- (6) Sawdust blower device switch
- (7) Pendulum action adjusting lever
- (8) Sds lever for saw blade release
- (9) Guide roller
- (10) Saw blade
- (11) Shock protection guard
- (12) Handle (insulated gripping surface)
- (13) Saw blade receptacle
- (14) Vacuum cleaner adapter
- (15) Base plate screw
- (16) Scale for mitre/bevel angles
- (17) Button for turning on the laser and illumination
- (18) Laser light

Technical parameter

Model	PST90-C2
Rated voltage	220 V~/50 Hz
Rated power	900 W
Stroke per minute	1000-3200 r/min
Wood cutting depth	100mm (4")
Stroke	20mm (13/16")
Weight	2.3kg

Contents of delivery

Jig saw	1 pc
Saw blade	1 pc
Parallel stop	1 pc
Sawdust discharge	1 pc
Transparent shield	1 pc
Instruction manual	1 pc

Note

Technical errors and typographical errors may be made in the text and numerical designations of the instructions.

Since the product is constantly being improved, P.I.T. reserves the right to make changes to the specifications and product specifications specified here without prior notice.

Assembly

- ▶ **Pull the plug out of the socket before carrying out any work on the power tool.**

Inserting/changing the saw blade

- ▶ **When fitting or changing the saw blade, wear protective gloves.** Blades are sharp and can become hot when used for pro-

longed periods of time.

Inserting the saw blade (see figure A)

- ▶ **Clean the shaft on the saw blade before inserting it.**

A dirty shaft cannot be securely fixed in place. Press the SDS lever forward to the stop and hold it down. Push the saw blade, with the teeth in the cutting direction, into the saw blade receptacle until it clicks into place.

Make sure when inserting the saw blade that the back of the saw blade is in the groove on the guide roller.

- ▶ **Check that the saw blade is seated securely. A loose saw blade can fall out and lead to injuries.**

Ejecting the saw blade (see figure B)

- ▶ **When ejecting the saw blade, hold the power tool in such a manner that no persons or animals can be injured by the ejected saw blade.**

Press the SDS lever forward to the stop. The saw blade is released and ejected.

Dust/Chip extraction

The dust from materials such as lead paint, some types of wood, minerals and metal can be harmful to human health. Touching or breathing in this dust can trigger allergic reactions and/or cause respiratory illnesses in the user or in people in the near vicinity.

Certain dusts, such as oak or beech dust, are classified as carcinogenic, especially in conjunction with wood treatment additives (chromate, wood preservative). Materials containing asbestos may only be machined by specialists.

- Use a dust extraction system that is suitable for the material wherever possible.
- Provide good ventilation at the workplace.
- It is advisable to wear a P2 filter class breathing mask. The regulations on the material being machined that apply in the country of use must be observed.

- ▶ **Avoid dust accumulation at the workplace. Dust can easily ignite.**

Protective glass (see fig. C)

Mount the protective glass before connecting the power tool to the dust extractor.

Place the protective glass on the power tool so that the holder engages on the touch guard.

When working without a dust extraction system and sawing at an angle, remove the pro-

tective glass.

Connecting the dust extraction(- see figures D)

For optimum dust extraction, where possible use the antisplinter guard.

Operation

Operating modes

- ▶ **Pull the plug out of the socket before carrying out any work on the power tool.**

Pendulum action settings

To increase the speed of straight sawing, it is possible to turn on and change the intensity of the pendulum stroke of the saw blade. To do this, move the switch to one of the positions depending on the required intensity.

- Level 0 → No pendulum action
- Level I → Low pendulum action
- Level II → Moderate pendulum action
- Level III → High pendulum action

The optimum pendulum level for each application can be determined by a practical test.

Note the following recommendations:

- Select a lower pendulum level or switch off the pendulum action completely if you wish to produce a finer or cleaner cutting edge.
- Turn off the pendulum stroke when processing thin materials (sheet metal, sheet plastic, etc.) Or when processing hard materials (unalloyed steel, non-ferrous metals, etc.);
- Set the maximum pendulum stroke when sawing soft materials (soft woods, etc.) The speed of work, in this case it will be higher, but the quality of the cut edge may deteriorate.

Adjusting the mitre/bevel angle (see figure E)

The base plate can be swivelled to the right or left to make mitre cuts up to 45°.

The hood, the extraction outlet and the antisplinter guard cannot be used while mitre/bevel cuts are being made.

- Remove the hood and the anti-splinter guard.
- Loosen the screw with the hex key and slide the base plate slightly towards the power cable.
- The base plate has lock-in points on the left and right so that precise mitre/bevel angles can be set. Swivel the base plate to the required position according to the scale. Other mitre/bevel angles can be adjusted using a protractor.

- Then push the base plate towards the saw blade as far as it will go.
- Retighten the screw.

Starting operation

- ▶ **Pay attention to the mains voltage. The voltage of the power source must match the voltage specified on the rating plate of the power tool.**

The jigsaw is turned on / off with the start button. Using the lock button located on the side of the handle,

the power button can be fixed for continuous operation. To release the switch from the lock, you need to briefly press the power button again and then release it.

Controlling the stroke rate

You can variably adjust the stroke rate of the power tool when it is on by pressing in the on/off switch to varying extents.

Applying light pressure to the on/off switch results in a low stroke rate. Applying increasing pressure to the switch increases the stroke rate.

Preselect the stroke rate

You can also preselect the stroke rate and change it during operation using the stroke rate preselection thumbwheel.

The required stroke rate is dependent on the material and the work conditions and can be determined using practical tests.

It is recommended that you reduce the stroke rate when placing the saw blade on the workpiece and when sawing plastic and aluminium.

During prolonged periods of use at a low stroke rate, the power tool may heat up significantly. Remove the saw blade and let the power tool run at the maximum stroke rate for around three minutes to cool down.

Working advice

- ▶ **Pull the plug out of the socket before carrying out any work on the power tool.**
- ▶ **Switch the power tool off immediately if the saw blade becomes blocked.**
- ▶ **When machining small or thin workpieces, always use a stable base or saw table.**

Before sawing into wood, chipboard, building materials, etc., check for and remove any foreign objects such as nails, screws, etc.

Plunge cutting (see figure F)

- ▶ **Plunge cuts may only be applied to soft materials, such as wood, gypsum board, etc.**

For plunge cutting, use only short saw blades. Plunge cutting is possible only with a mitre angle of 0°.

Place the power tool so that the front edge of the base plate rests on the workpiece, without the saw blade touching the workpiece, and switch it on. On power tools with stroke rate control, select the maximum stroke rate. Press the power tool firmly against the workpiece and allow the saw blade to plunge slowly into the workpiece.

As soon as the base plate rests fully on the workpiece, continue sawing along the required cutting line.

Chip blowing function

Jigsaws offer the possibility to blow sawdust from the cutting line. Use the switch to enable this feature.

laser pointer

To improve sawing accuracy, use laser cut wire guides. Press the button to turn on the laser pointer. You can adjust the precision of the laser with the adjustment screw.

Coolant/lubricant

As the material heats up along the cutting line when cutting metal, you should apply coolant or lubricant.

Maintenance and service

Maintenance and cleaning

- ▶ **Pull the plug out of the socket before carrying out any work on the power tool.**
- ▶ **To ensure safe and efficient operation, always keep the power tool and the ventilation slots clean.**

In order to avoid safety hazards, if the power supply cord needs to be replaced, this must be done by P. I. T. or by an after-sales service centre that is authorised to repair P.I.T. power tools.

Clean the saw blade receptacle regularly. For this, remove the saw blade from the power tool and lightly tap out the power tool on a level surface.

If the power tool becomes very dirty, this can lead to serious faults. For this reason, do not cut materials which generate large quantities of dust from below or overhead.

- ▶ **In extreme conditions, always use a dust extractor if possible.** Blow out ventilation slots frequently and install a residual current device (RCD) upstream. When machining metals, conductive dust can settle inside the power tool, which can affect its

protective insulation.

If the dust outlet is clogged, turn off the power tool and remove dust and swarf.

Lubricate the idler roller with a drop of oil from time to time.

Check the guide roller regularly. The worn roller must be replaced by an authorized P.I.T. power tool workshop.

Service

- ▶ **Repairing your power tool commission only qualified personnel and only with the use of original spare parts.** This ensures the safety of the power tool.


The list of authorized service centers can be viewed on the official website of P.I.T. by the link: <https://pittools.ru/servises/>

Storage and transportation

Store the instrument in closed rooms with natural ventilation in a package at an air temperature from 0 ° C to + 50 ° C and an air humidity of no more than 80%.

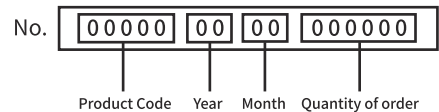
Products can be transported by any type of closed transport in the manufacturer's packaging or without it, while preserving the product from mechanical damage, atmospheric precipitation. Remove the exchange tool from the power tool before transporting it.

Dispose of waste

 Damaged power tools, batteries, accessories and waste packaging materials must be recycled and reused in an environmentally friendly manner.

Do not throw power tools and accumulators / batteries into general household waste!

Product serial number interpretation



The date of manufacture of the product is encoded in the serial number printed on the body of the tool. The first 2 digits indicate the year of issue, the next 2 digits indicate the month.

TERMS OF WARRANTY SERVICE

To customers (users) of warranty service:

1. This warranty certificate is the only document that confirms your right to free warranty service. If this proof is not presented, no claims will be accepted. Warranty certificates cannot be recovered if lost or damaged.

2. It is required to provide a valid and legal document for purchasing the product. The document must have the name or seal of the sales company; at the same time, state the full model name of the purchased P.I.T. product, the serial number on the nameplate of the fuselage, and the date of purchase, and the required warranty. The whole machine and its accessories.

The warranty period:

1. The warranty period of the product is 12 months from the date of sale. During the warranty period, the service department will eliminate manufacturing defects free of charge and replace the parts that fail due to the manufacturer's fault. In warranty repair, an equivalent operable product is not provided. Replaceable parts become the property of the service provider.

2. The wear degree on the diameter of the motor rotor commutator is less than 0.4 mm (except for brushless motor tools), and the internal damage caused by the quality of the tool belongs to the warranty.

The following situations occur during the warranty period, which is not covered by the warranty:

1. In the absence of any valid legal documents (invoices) such as warranty certificates and warranty cards to prove the date of purchase.

2. Damage caused by natural wear and overload. (For example, motor rotor and stator failure caused by overload, scorching or melting of the primary winding of the welding machine transformer, charging or starting the charging device, melting of internal parts, burning of electronic circuit boards, etc.)

3. The casing and power cord are mechanically damaged, as well as damage caused by corrosive media and high and low temperature, foreign objects entering the ventilation network of the motor, and damage caused by improper storage (corrosion of metal parts);

4. Damage caused by improper carrying, transportation and storage by users.

5. Products that are opened, repaired, replaced or modified by users themselves.

6. Any damage caused by indiscriminate use, beyond the scope of use of the tool, and not in accordance with the instructions for use and maintenance. (see chapter "Safety Precautions" in the manual);

7. The damage caused by the following situations is not guaranteed due to improper

use

and non-quality problems:

(1) When the power tool is running at high speed, use the braking device to forcibly stop the rotation.

(2) Excessive pressure is applied to the tool during the use of the tool.

(3) Use the tool outside the scope of its purpose and capabilities.

(4) Damage caused by the tool working in a dusty environment for a long time without timely maintenance of the tool.

(5) Change the rotation direction of the work head before the tool stops completely.

(6) Shock the battery or charger and replace the plug of the charger without permission, causing damage to the battery or charger.

(7) Damage caused by two-stroke gasoline tools not being fueled in the correct proportions.

The warranty does not include:

1. Replacement of accessories (accessories and components) such as batteries, discs, blades, drills, chucks, chains, sprockets, collet clamps, guide rails, tension and fastening elements, dresser heads, grinders And belt sander base machine, hexagonal head, etc.;

2. Wearing parts, such as: carbon brushes, transmission belts, seals, protective covers, guide rollers, guide rails, rubber seals, bearings, toothed belts and wheels, shanks, brake belts, starter ratchets and ropes, piston rings Wait.

The above accessories are replaced with paid services during the warranty period;

Русский

Общие указания по технике безопасности для электроинструментов



ПРЕДУПРЕЖДЕНИЕ Прочтите все указания и инструкции по технике безопасности.

Несоблюдение указаний и инструкций по технике безопасности может стать причиной поражения электрическим током, пожара и тяжелых травм.

Сохраняйте эти инструкции и указания для будущего использования.

Использованное в настоящих инструкциях и указаниях понятие «электроинструмент» распространяется на электроинструмент с питанием от сети (с сетевым шнуром) и на аккумуляторный электроинструмент (без сетевого шнура).

Безопасность рабочего места

- ▶ Рабочее место должно быть чистым и хорошо освещенным. В захламленных или темных местах вероятны несчастные случаи.
- ▶ Не используйте электроинструменты во взрывоопасных средах, например, в присутствии легковоспламеняющихся жидкостей, газов или пыли. Электроинструменты создают искры, которые могут стать причиной воспламенения пыли или паров.
- ▶ Во время работы электроинструмента не допускайте присутствия детей и других лиц. Отвлечение внимания может привести к потере контроля.

Электробезопасность

- ▶ Штепсельная вилка электроинструмента должна подходить к штепсельной розетке. Ни в коем случае не вносите изменения в штепсельную вилку. Не применяйте переходные штекеры для электроинструментов с защитным заземлением. Неизмененные штепсельные вилки и подходящие штепсельные розетки снижают риск поражения электротоком.
- ▶ Предотвращайте телесный контакт с заземленными поверхностями, как то: с трубами, элементами отопления, кухонными плитами и холодильниками. При заземлении Вашего тела повышается риск поражения электротоком.
- ▶ Защищайте электроинструмент от дождя и сырости. Проникновение воды в электроинструмент повышает риск поражения электротоком.

- ▶ Не разрешается использовать шнур не по назначению. Никогда не используйте шнур для транспортировки или подвески электроинструмента, или для извлечения вилки из штепсельной розетки. Защищайте шнур от воздействия высоких температур, масла, острых кромок или подвижных частей электроинструмента. Поврежденный или спутанный шнур повышает риск поражения электротоком.
- ▶ При работе с электроинструментом под открытым небом применяйте пригодные для этого кабели-удлинители. Применение пригодного для работы под открытым небом кабеля-удлинителя снижает риск поражения электротоком.
- ▶ Если невозможно избежать применения электроинструмента в сыром помещении, подключайте электроинструмент через устройство защитного отключения. Применение устройства защитного отключения снижает риск электрического поражения.

Безопасность людей

- ▶ Будьте внимательны, следите за тем, что делаете, и продуманно начинайте работу с электроинструментом. Не пользуйтесь электроинструментом в усталом состоянии или под воздействием наркотиков, алкоголя или лекарственных средств. Один момент невнимательности при работе с электроинструментом может привести к серьезным травмам.
- ▶ Применяйте средства индивидуальной защиты. Всегда носите защитные очки. Использование средств индивидуальной защиты, как то: защитной маски, обуви на нескользящей подошве, защитного шлема или средств защиты органов слуха, в зависимости от вида работы с электроинструментом снижает риск получения травм.
- ▶ Предотвращайте непреднамеренное включение электроинструмента. Перед тем как подключить электроинструмент к сети и/или к аккумулятору, поднять или переносить электроинструмент, убедитесь, что он выключен. Удержание пальца на выключателе при транспортировке электроинструмента и подключение к сети питания включенного электроинстру-

мента чревато несчастными случаями.

- ▶ **Убирайте установочный инструмент или гаечные ключи до включения электроинструмента.** Инструмент или ключ, находящийся во вращающейся части электроинструмента, может привести к травмам.
- ▶ **Не принимайте неестественное положение корпуса тела. Всегда занимайте устойчивое положение и сохраняйте равновесие.** Благодаря этому Вы можете лучше контролировать электроинструмент в неожиданных ситуациях.
- ▶ **Носите подходящую рабочую одежду. Не носите широкую одежду и украшения. Держите волосы и одежду вдали от подвижных деталей.** Широкая одежда, украшения или длинные волосы могут быть затянуты вращающимися частями.
- ▶ **При наличии возможности установки пылеотсасывающих и пылесборных устройств проверяйте их присоединение и правильное использование.** Применение пылеотсоса может снизить опасность, создаваемую пылью.
- ▶ **Хорошее знание электроинструментов, полученное в результате частого их использования, не должно приводить к самоуверенности и игнорированию техники безопасности обращения с электроинструментами.** Одно небрежное действие за долю секунды может привести к серьезным травмам.
- ▶ **ВНИМАНИЕ!** В случае возникновения перебора в работе электроинструмента вследствие полного или частичного прекращения энергоснабжения или повреждения цепи управления энергоснабжением установите выключатель в положение Выкл., убедившись, что он не заблокирован (при его наличии). Отключите сетевую вилку от розетки или отсоедините съёмный аккумулятор. Этим предотвращается неконтролируемый повторный запуск.

Применение электроинструмента и обращение с ним

- ▶ **Не перегружайте электроинструмент. Используйте для работы соответствующий специальный электроинструмент.** С подходящим электроинструментом Вы работаете лучше и надежнее в указанном диапазоне мощности.

- ▶ **Не работайте с электроинструментом при неисправном выключателе.** Электроинструмент, который не поддается включению или выключению, опасен и должен быть отремонтирован.
- ▶ **Перед тем как настраивать электроинструмент, заменять принадлежности или убирать электроинструмент на хранение, отключите штепсельную вилку от розетки сети и/или выньте, если это возможно, аккумулятор.** Эта мера предосторожности предотвращает непреднамеренное включение электроинструмента.
- ▶ **Храните электроинструменты в недоступном для детей месте. Не разрешайте пользоваться электроинструментом лицам, которые не знакомы с ним или не читали настоящих инструкций.** Электроинструменты опасны в руках неопытных лиц.
- ▶ **Прибор не предназначен для использования лицами (включая детей) с пониженными физическими, чувственными или умственными способностями или при отсутствии у них опыта или знаний, если они не находятся под контролем или не проинструктированы об использовании прибора лицом, ответственным за их безопасность.**
- ▶ **Тщательно ухаживайте за электроинструментом и принадлежностями. Проверяйте безупречную функцию и ход движущихся частей электроинструмента, отсутствие поломок или повреждений, отрицательно влияющих на функцию электроинструмента. Поврежденные части должны быть отремонтированы до использования электроинструмента.** Плохое обслуживание электроинструментов является причиной большого числа несчастных случаев.
- ▶ **Держите режущий инструмент в заточенном и чистом состоянии.** Заботливо ухоженные режущие инструменты с острыми режущими кромками режут легче и их легче вести.
- ▶ **Применяйте электроинструмент, принадлежности, рабочие инструменты и т. п. в соответствии с настоящими инструкциями. Учитывайте при этом рабочие условия и выполняемую работу.** Использование электроинстру-

ментов для непредусмотренных работ может привести к опасным ситуациям.

- ▶ **Держите ручки и поверхности захвата сухими и чистыми, следите чтобы на них чтобы на них не было жидкой или консистентной смазки.** Скользкие ручки и поверхности захвата препятствуют безопасному обращению с инструментом и не дают надежно контролировать его в непредвиденных ситуациях.

Указания по технике безопасности для электролобзиков

- ▶ **При выполнении работ, при которых рабочий инструмент может задеть скрытую электропроводку или свой собственный шнур питания, держите инструмент за изолированные поверхности.** Контакт с находящейся под напряжением проводкой может зарядить металлические части электроинструмента и привести к удару электрическим током.
- ▶ **Закрепите обрабатываемую заготовку на стабильном основании с помощью зажимов или иным удобным способом.** Удерживанием обрабатываемой заготовки в руке или прижим ее к себе не обеспечивается ее стабильное удержание, и она может выйти изпод контроля.
- ▶ **Не подставляйте руки в зону пиления. Не подставляйте руки под заготовку.** При контакте с пильным полотном возникает опасность травмирования.
- ▶ **Подводите электроинструмент к детали только во включенном состоянии.** В противном случае возникает опасность обратного удара при заклинивании рабочего инструмента в детали.
- ▶ **Следите за тем, чтобы опорная плита во время пиления всегда плотно прилегала к основанию.** Перекошенное пильное полотно может обломаться или привести к обратному удару.
- ▶ **По окончании рабочей операции выключите электроинструмент; вытягивайте пильное полотно из прорези только после его полной остановки.** Этим Вы предотвратите рикошет и можете после этого без каких-либо рисков положить электроинструмент.
- ▶ **Выйдите полной остановки электроинструмента и только после этого**

выпускайте его из рук. Рабочий инструмент может заесть, и это может привести к потере контроля над электроинструментом.

- ▶ **Используйте только неповрежденные, безупречные пильные полотна.** Изогнутые или затупившиеся пильные полотна могут переломиться; использование таких полотен может отрицательно сказаться на качестве распила или вызвать рикошет.
- ▶ **Не затормаживайте пильное полотно после выключения боковым прижатием.** Это может повредить пильное полотно, обломать его или привести к рикошету.
- ▶ **Используйте соответствующие металлоискатели для нахождения спрятанных в стене труб или проводки или обращайтесь за справкой в местное коммунальное предприятие.** Контакт с электропроводкой может привести к пожару и поражению электротоком. Повреждение газопровода может привести к взрыву. Повреждение водопровода ведет к нанесению материального ущерба или может вызвать поражение электротоком.
- ▶ **Установленная на корпусе защита от прикосновения предотвращает непреднамеренное прикосновение к пильному полотну во время работы; снимать ее нельзя.**
- ▶ **Распиливайте с погружением только мягкие материалы, напр., древесину, гипсокартон и т. п.**

Описание продукта и услуг



Прочтите все указания и инструкции по технике безопасности. Несоблюдение указаний по технике безопасности и инструкций может привести к поражению электрическим током, пожару и/или тяжелым травмам.

Пожалуйста, соблюдайте иллюстрации в начале руководства по эксплуатации.

Применение по назначению

Электроинструмент предназначен для выполнения на прочной опоре распилов и вырезов в древесине, синтетическом материале, металле, керамических плитках и резине. Он пригоден для выполнения прямых и криволинейных резов с углом наклона до 45°. Учитывайте рекомендации по применению пильных полотен.

Изображенные составные части

Нумерация представленных компонентов выполнена по изображению на странице с иллюстрациями.

- (1) Фиксатор выключателя
- (2) Выключатель
- (3) Установочное колесико числа частоты ходов
- (4) Куртка
- (5) Опорная плита
- (6) Выключатель устройства для сдува опилок
- (7) Рычаг установки маятникового движения
- (8) Рычаг sds для разблокировки пильного полотна
- (9) Направляющий ролик
- (10) Пильное полотно
- (11) Защита от прикосновения
- (12) Рукоятка (с изолированной поверхностью)
- (13) Крепление пильного полотна
- (14) Адаптер для подключения пылесоса
- (15) Винт опорной плиты
- (16) Шкала угла распила
- (17) Кнопка включения лазера и подсветки
- (18) Лазерный свет

Технические характеристики

Модель	PST90-C2
Напряжение	220 В / 50 Гц
Номинальная потребляемая мощность	900 Вт
Частота вращения	1000-3200 об/мин
Глубина пропила древесины	100мм (4")
Длина хода	20mm (13/16")
Вес	2.3кг

Комплект поставки

Лобзик	1 шт
Лезвие пилы	1 шт
Параллельный упор	1 шт
Выгрузка опилок	1 шт
Прозрачный щит	1 шт
Руководство по эксплуатации	1 шт

Примечание

В тексте и цифровых обозначениях инструкции могут быть допущены технические ошибки и опечатки.

Так как инструмент P.I.T. постоянно совершенствуется, компания оставляет за собой право вносить изменения в указанные здесь технические характеристики и комплектацию без предварительного уведом-

ления.

Сборка

- ▶ **Перед любыми манипуляциями с электроинструментом вытаскивайте штепсель из розетки.**

Установка/смена пильного полотна

- ▶ **При установке и смене рабочего инструмента надевайте защитные перчатки.** Рабочие инструменты острые и при длительном использовании могут нагреваться.

Выбор пильного полотна

Обзор рекомендуемых пильных полотен Вы найдете в конце настоящего руководства. Используйте только пильные полотна однозубчатого типа (с Т-хвостовиком). Длина пильного полотна не должна быть больше, чем это необходимо для предусмотренного распила.

Используйте для выполнения криволинейных распилов узкое пильное полотно.

Установка пильного полотна (см. рис. А)

- ▶ **Очищайте хвостовик пильного полотна перед установкой.** Загрязненный хвостовик не может быть надежно закреплен.

Прижмите рычаг SDS до упора вперед и удерживайте его прижатым. Вставьте пильное полотно, зубьями в сторону реза так, чтобы оно вошло в зацепление в держателе пильного полотна.

Вставляя пильное полотно, следите за тем, чтобы спинка пильного полотна лежала в выемке направляющего ролика.

- ▶ **Проверьте прочность посадки пильного полотна.** Плохо закрепленное пильное полотно может выпасть и поранить Вас.

Выброс пильного полотна (см. рис. В)

- ▶ **При выталкивании пильного полотна держите электроинструмент так, чтобы не травмировать окружающих лиц и животных.**

Прижмите рычаг SDS до упора вперед. Пильное полотно разблокируется и вытолкнется из креплений.

Удаление пыли и стружки

Пыль некоторых материалов, как напр., красок с содержанием свинца, некоторых сортов древесины, минералов и металлов,

может быть вредной для здоровья.

Прикосновение к пыли и попадание пыли в дыхательные пути может вызвать аллергические реакции и/или заболевания дыхательных путей оператора или находящегося вблизи персонала.

Определенные виды пыли, напр., дуба и бука, считаются канцерогенными, особенно совместно с присадками для обработки древесины (хромат, средство для защиты древесины). Материал с содержанием асбеста разрешается обрабатывать только специалистам.

- По возможности используйте пригоуду для материала систему пылеудаления.
- Хорошо проветривайте рабочее место.
- Рекомендуется пользоваться респираторной маской с фильтром класса P2.

Соблюдайте действующие в Вашей стране предписания для обрабатываемых материалов.

► **Избегайте скопления пыли на рабочем месте.** Пыль может легко воспламеняться.

Защитное стекло (см. рис. С)

Монтируйте защитное стекло, до присоединения электроинструмента к пылесосу. Наденьте защитное стекло на электроинструмент так, чтобы крепление вошло в зацепление на защите от прикосновения.

При работе без системы пылеудаления и пилении под углом снимайте защитное стекло.

Присоединение устройства пылеудаления(см. рис. D)

Для оптимального пылеудаления установите, по возможности, защиту от вырывания материала.

Работа с инструментом

Режимы работы

Перед любыми манипуляциями с электроинструментом вытаскивайте штепсель из розетки.

Настройка маятникового движения

Для увеличения скорости прямолинейного пиления имеется возможность включать и изменять интенсивность маятникового хода пильного полотна. Для этого переведите переключатель в одно из положений в зависимости от требуемой интенсивности.

Ступень 0 → без маятникового движения

Ступень I → слабое маятниковое движение

Ступень II → среднее маятниковое движение

Ступень III → сильное маятниковое движение

Оптимальную ступень маятникового движения можно

определить пробным пилением. При этом руководствуйтесь следующими рекомендациями:

- Чем тоньше и чище должны быть кромки распила, тем более низкую ступень маятникового колебания нужно выбирать, или вообще отключите маятниковые колебания.
- Отключайте маятниковый ход при обработке тонких материалов (листовой металл, листовый пластик и т.П.) Или при обработке твердых материалов (нелегированная сталь, цветные металлы и т.П.);
- Устанавливайте максимальный маятниковый ход при распиловке мягких материалов (мягкие породы древесины и т.П.) Скорость выполнения работы, в этом случае будет выше, но качество кромки пропила может ухудшиться.

Настройка угла распила (см. рис. E)

Для пиления под углом опорную плиту можно повернуть влево или вправо на угол до 45°.

При косой распиловке нельзя использовать крышку, патрубков пылеудаления и защиту от вырывания материала.

- Снимите крышку и защиту от вырывания материала (если установлена).
- Ослабьте винт с помощью ключа-шестигранника и слегка сдвиньте опорную плиту в направлении сетевого шнура.
- Для более точной настройки угла распила на опорной плите справа и слева есть несколько точек зацепления. Наклоните опорную плиту в соответствии со шкалой в требуемое положение. Другие значения угла наклона могут быть установлены с помощью угломера.
- Затем передвиньте опорную плиту до упора в направлении пильного полотна.
- Снова туго затяните винт.

Включение электроинструмента

► **Примите во внимание напряжение в сети! Напряжение источника питания должно соответствовать данным на заводской табличке электроинструмента.**

Лобзик включается/выключается кнопкой пуска. С помощью кнопки фиксации нахо-

дящейся на боковой стороне рукоятки, кнопку включения можно зафиксировать для непрерывного режима работы. Для снятия выключателя с фиксации нужно повторно коротко нажать на кнопку включения и затем отпустить ее.

Предварительная установка числа ходов

При помощи установочного колесика числа частоты ходов можно предварительно настраивать частоту ходов и изменять ее во время работы.

Необходимая частота ходов зависит от материала и рабочих условий и может быть определена методом проб.

При подводе пильного полотна к заготовке и при распиливании пластмасс и алюминия рекомендуется уменьшать частоту ходов.

При продолжительной работе с низкой частотой ходов электроинструмент может сильно нагреться. Извлеките пильное полотно из электроинструмента и для охлаждения включите его с макс. числом ходов прибл. на 3 мин

Указания по применению

- ▶ **Перед любыми манипуляциями с электроинструментом вытаскивайте штепсель из розетки.**
- ▶ **При блокировании пильного полотна немедленно выключайте электроинструмент.**
- ▶ **При обработке маленьких или тонких деталей всегда используйте прочную опору или пильный стол(принадлежности).**

Перед распиливанием древесины, древесностружечных плит, строительных материалов и т.д. проверяйте их на предмет наличия гвоздей, шурупов и т.д., и при необходимости удалите их.

Пиление с погружением (см. рис. F)

- ▶ **Распиливать с погружением можно только мягкие материалы, напр., древесину, гипсокартон и т.п.!**

Для пиления с погружением применяйте только короткие пильные полотна. Пиление с погружением возможно только под углом распила 0°.

Установите электроинструмент передней кромкой опорной плиты на заготовку, не касаясь при этом заготовки пильным полотном, и включите электроинструмент. Если электроинструмент имеет регулятор

частоты ходов, установите максимальную частоту. Крепко прижмите электроинструмент к заготовке и дайте пильному полотну медленно углубиться в заготовку.

Как только опорная плита всей плоскостью ляжет на заготовку, продолжайте пилить дальше по требуемой линии распила.

Функция сдува опилок

В лобзике предусмотрена возможность сдува опилок с линии реза. Для включения данной функции воспользуйтесь переключателем.

Лазерный указатель и подсветка

Для увеличения точности пиления используйте лазерный указатель линии реза. Для включения лазерного указателя и подсветки нажмите кнопку. Отрегулировать точность лазера можно с помощью регулировочного винта.

Смазывающе-охлаждающее средство

При распиливании металла нанесите для охлаждения материала вдоль линии распила смазывающе-охлаждающее средство.

Техобслуживание и сервис

Техобслуживание и очистка

- ▶ **Перед любыми манипуляциями с электроинструментом вытаскивайте штепсель из розетки.**
- ▶ **Для обеспечения качественной и безопасной работы содержите электроинструмент и вентиляционные прорези в чистоте.**

Если требуется поменять шнур, во избежание опасности обращайтесь на фирму P.I.T. или в авторизованную сервисную мастерскую для электроинструментов P.I.T.

Регулярно очищайте гнездо пильного полотна. Для этого извлеките пильное полотно из электроинструмента и слегка постучите электроинструментом о ровную поверхность.

Сильное загрязнение электроинструмента может вести к нарушению функциональной способности. Поэтому не распиливайте материалы с сильным пылеобразованием снизу или над головой.

Если выходное отверстие для пыли засорилось, выключите электроинструмент, удалите пыль и стружку.

Время от времени смазывайте направляющий ролик каплей масла.

Регулярно проверяйте направляющий

ролик. Изношенный ролик должен быть заменен в авторизованной сервисной мастерской для электроинструментов P.I.T.

Сервис

► Ремонт Вашего электроинструмента поручайте только квалифицированному персоналу и только с применением оригинальных запасных частей. Этим обеспечивается безопасность электроинструмента.

Список авторизованных сервисных центров можно посмотреть на официальном сайте P.I.T. по ссылке: <https://pittools.ru/servises/>

Хранение и транспортировка

Храните инструмент в закрытых помещениях с естественной вентиляцией в упаковке при температуре воздуха от 0°C до +50°C и влажности воздуха не более 80%.

Транспортировать продукцию можно любым видом закрытого транспорта в упаковке производителя или без нее, с сохранением изделия от механических повреждений, атмосферных осадков. Перед транспортировкой извлеките сменный инструмент из электроинструмента.

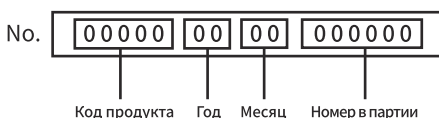
Утилизация



Отслужившие свой срок электроинструменты, принадлежности и упаковку следует сдавать на экологически чистую переработку отходов.

Утилизируйте электроинструмент отдельно

Расшифровка даты изготовления изделия



Дата изготовления изделия зашифрована в серийном номере, напечатанном на корпусе инструмента. Первые 2 цифры обозначают год выпуска, следующие 2 цифры – месяц.

УСЛОВИЯ ГАРАНТИЙНОГО ОБСЛУЖИВАНИЯ

1. Настоящее гарантийное свидетельство является единственным документом, подтверждающим ваше право на бесплатное гарантийное обслуживание. Без предъявления данного свидетельства претензии не принимаются. В случае утери или порчи гарантийное свидетельство не восстанавливается.

2. Гарантийный срок указан в гарантийном сертификате. В течение гарантийного срока сервисная служба бесплатно устраняет производственные дефекты и производит замену деталей, вышедших из строя по вине изготовителя. На период гарантийного ремонта эквивалентный исправный инструмент не предоставляется. Заменяемые детали переходят в собственность службы сервиса.

Компания P.I.T. не несет ответственности за вред, который может быть причинен при работе с электроинструментом.

3. В гарантийный ремонт инструмент принимается в чистом виде, при обязательном наличии надлежащим образом оформленных документов: настоящего гарантийного свидетельства, гарантийного талона, с полностью заполненными полями, штампом торговой организации и подписью покупателя.

4. Гарантийный ремонт не производится в следующих случаях:

- при отсутствии гарантийного свидетельства и гарантийного талона или неправильном их оформлении;
- степень износа диаметра коллектора ротора двигателя превышает 0,4 мм (за исключением инструментов с бесщеточным двигателем);
- при совместном выходе из строя якоря и статора электродвигателя, при обугливание или оплавлении первичной обмотки трансформатора сварочного аппарата, зарядного или пуско-зарядного устройства, при оплавлении внутренних деталей, прожиге электронных плат и других случаях;
- если гарантийное свидетельство или талон не принадлежат данному электроинструменту или не соответствует установленному поставщиком образцу;
- по истечении срока гарантии;
- при попытках самостоятельного вскрытия или ремонта электроинструмента вне гарантийной мастерской;
- внесения конструктивных изменений и смазки инструмента в гарантийный период, о чем свидетельствуют, например, заломы на шлицевых частях крепежа корпусных деталей;
- при использовании электроинструмента в производственных или иных целях, связанных с получением прибыли, а также при возникновении неисправностей связанных с нестабильностью параметров электросети, превышающих нормы, установленные

ГОСТ;

- при неправильной эксплуатации, использованию электроинструмента не по назначению, указанному в инструкции по эксплуатации, установки на электроинструмент не предназначенных заводом-изготовителем насадок, дополнительных приспособлений и т.п.;

- при механических повреждениях корпуса, сетевого шнура и при повреждениях, вызванных воздействиями агрессивных средств и высоких и низких температур, попадании инородных предметов в вентиляционные решетки электроинструмента, а также при повреждениях, наступивших в результате неправильного хранения (коррозия металлических частей);

- при естественном износе деталей электроинструмента, в результате длительной эксплуатации (определяется по признакам полной или частичной выработки ресурса, сильного загрязнения, ржавчины снаружи и внутри электроинструмента, отработанной смазки в редукторе);

- при возникновении повреждений в связи с несоблюдением предусмотренных инструкцией условий эксплуатации (см. главу «Указание по технике безопасности» в инструкции).

- при повреждении изделия вследствие несоблюдения правил хранения и транспортировки;

- при сильном внутреннем загрязнении инструмента;

- при работе с перегрузкой бензоинструмента, изменении цвета чашки и муфты сцепления в результате перегрева;

- при обрыве шнура стартера при условии исправности остальных деталей пускового устройства;

- на все виды работ, выполняемые при периодическом техническом обслуживании (регулировки, чистке, замене расходных материалов и др.);

- на неисправности, возникшие в результате нарушения требований и правил эксплуатации, установленный паспортном изделии. Например, перегрев изделия, несоблюдение требований к составу и качеству топливной смеси, повлекших выход из строя поршневой группы (безусловным признаком этого является залегание поршневого кольца и/или наличие царапин и потертостей на внутренней поверхности цилиндра и поверхности поршня, разрушение или оплавление опорных подшипников

шатунa и поршневого пальца);

- на внешние и внутренние загрязнения, царапины, трещины, повреждения, возникшие в процессе эксплуатации или транспортировки.

- при работе электроинструментом с перегрузкой и заклиниванием оснастки, о чем свидетельствуют задиры, изменение цвета от температуры упорных и прижимных шайб, зажимного патрона, выхода из строя редуктора.

Профилактическое обслуживание электроинструмента (чистка, промывка, смазка, замена пыльников, поршневых и уплотнительных колец) в гарантийный период является платной услугой.

Срок службы изделия составляет 3 года. Срок хранения – 2 года. Не рекомендуется к эксплуатации по истечении 2 лет хранения с даты изготовления, которая указана в серийном номере на этикетке инструмента, без предварительной проверки (определение даты выпуска смотрите ранее в Руководстве пользователя).

О возможных нарушениях, изложенных выше условий гарантийного обслуживания, владельцу сообщается после проведения диагностики в сервисном центре. Владелец инструмента доверяет проведение диагностики в сервисном центре в свое отсутствие.

Запрещается эксплуатация электроинструмента при проявлении признаков повышенного нагрева, искрения, а также шума в редукторной части. Для выяснения причин неисправности покупателю следует обратиться в гарантийную мастерскую.

Неисправности, вызванные несвоевременной заменой угольных щеток двигателя, устраняются за счет покупателя.

5.Гарантия не распространяется на:

- сменные принадлежности (аксессуары и оснастка), например: аккумуляторы, диски, ножи, сверла, буры, патроны, цепи, звездочки, цанговые зажимы, шины, элементы натяжения и крепления, головки триммеров, подошвы шлифовальных и ленточных машин, фильтры, головки шестигранные сменные насадки и т.п.

- быстроизнашивающиеся детали, например: угольные щетки, приводные ремни, сальники, защитные кожухи, направляющие ролики, направляющие, резиновые уплотнения, подшипники, зубчатые ремни и колеса, стволы, ленты тормоза, храповики и тросы стартеров, поршневые кольца и

т.п.

Замена их в течение гарантийного срока является платной услугой.

- шнуры питания, в случае повреждения изоляции. В данном случае потребитель должен быть уведомлен и ремонт (услуга платная) должен быть выполнен после согласия потребителя. Если потребитель не согласен на замену, то в любом ремонте этого инструмента будет отказано. Факт отказа должен быть зафиксирован в гарантийном талоне или квитанции сервисного центра и подписан владельцем.

P.I.T. WARRANTY CERTIFICATE

Product Name _____

Product Serial Number

Charger Serial Number

Sale Date _____

Trade Organization Name _____



Dear customer!

Thank you for purchasing the P.I.T. tool, and we hope that you will be satisfied with your choice. In the process of manufacturing the P.I.T. tools pass multilevel quality control, if nevertheless your product will need maintenance, please contact the authorized P.I.T. service centers.

Attention!

When buying, ask a seller to check the completeness and operability of the tool, to fill out the Warranty Certificate, the Warranty Card (the boxes shall be filled out by a seller) and to affix the seal of the trade organization in the Guarantee Certificate and the Warranty Card.

Warranty

By this Warranty Certificate, P.I.T. company guarantees the absence of defects of the production nature.

In the event any of the above defects are detected during the warranty period, the specialized P.I.T. service centers shall repair the product and replace the defective spare parts free of charge.

The warranty period for P.I.T. electric machines is 12 months from the date of sale.

“The warranty maintenance terms acknowledged and accepted. The operability and completeness of the product are checked in my presence. No claims on quality and appearance.”

Buyer’s Signature _____ Surname (legibly) _____

Phone _____

ГАРАНТИЙНОЕ СВИДЕТЕЛЬСТВО НА ИНСТРУМЕНТ P.I.T.

Наименование изделия _____

Серийный номер изделия □□□□□□□□□□

Серийный номер зарядного устройства □□□□□□□□□□

Дата продажи « ____ » _____

Наименование торговой организации _____

Уважаемый покупатель!

М.П.

Благодарим Вас за покупку инструмента P.I.T. и надеемся, что Вы останетесь довольны своим выбором.

При необходимости обслуживания Вашего изделия обращайтесь в авторизованные сервисные центры P.I.T. Все сервисные центры представлены на сайте www.pittools.ru

Внимание!

При покупке требуйте у продавца проверки работоспособности инструмента и его комплектности, а также заполнения гарантийного свидетельства, гарантийного талона (графы «Заполняются продавцом») и простановки печати торговой организации в гарантийном свидетельстве и гарантийных талонах.

Гарантия

На основании данного гарантийного свидетельства компания P.I.T. гарантирует отсутствие дефектов производственного характера.

Если в течение гарантийного срока в Вашем изделии обнаружатся указанные дефекты, то специализированные сервисные центры P.I.T. бесплатно отремонтируют изделие и заменят дефектные запасные части.

Гарантийный срок на электроинструменты P.I.T. составляет 12 месяцев со дня продажи.

«С условиями гарантийного обслуживания ознакомлен(а). Работоспособность и комплектность изделия проверены в моем присутствии. Претензий к качеству и внешнему виду не имею».

Подпись покупателя _____ Фамилия (разборчиво)

Телефон _____

P.I.T. WARRANTY CARD

Name _____ Serial Number _____ Sale Date _____ 20__ Date of Receipt from Repair _____ 20__	P.I.T.		№ 1
	Name _____		Place of Seal
	Serial Number _____		
	Sale Date _____ 20__		
	(Filled out by a Seller)		
	WARRANTY REPAIR CARD		
	Date of Acceptance for Repair _____ 20__		
	Application for Repair _____		
	Customer _____		
	Phone (Address) _____		
Cause of Application _____			
Date of Receipt from Repair _____ 20__			
The Tool is checked in my presence _____			
(The Order shall be performed in a Service Center) (Signature)			

Name _____ Serial Number _____ Sale Date _____ 20__ Date of Receipt from Repair _____ 20__	P.I.T.		№ 2
	Name _____		Place of Seal
	Serial Number _____		
	Sale Date _____ 20__		
	(Filled out by a Seller)		
	WARRANTY REPAIR CARD		
	Date of Acceptance for Repair _____ 20__		
	Application for Repair _____		
	Customer _____		
	Phone (Address) _____		
Cause of Application _____			
Date of Receipt from Repair _____ 20__			
The Tool is checked in my presence _____			
(The Order shall be performed in a Service Center) (Signature)			

Name _____ Serial Number _____ Sale Date _____ 20__ Date of Receipt from Repair _____ 20__	P.I.T.		№ 3
	Name _____		Place of Seal
	Serial Number _____		
	Sale Date _____ 20__		
	(Filled out by a Seller)		
	WARRANTY REPAIR CARD		
	Date of Acceptance for Repair _____ 20__		
	Application for Repair _____		
	Customer _____		
	Phone (Address) _____		
Cause of Application _____			
Date of Receipt from Repair _____ 20__			
The Tool is checked in my presence _____			
(The Order shall be performed in a Service Center) (Signature)			

ГАРАНТИЙНЫЙ ТАЛОН P.I.T.

P.I.T.

Талон № 1

Наименование _____

Серийный номер _____

Дата продажи « ____ » ____ 20__

(Заполняется продавцом)

КАРТА ГАРАНТИЙНОГО РЕМОНА

Дата приема ремонт ____ 20__

Заявка на ремонт _____

Заказчик _____

Телефон (адрес) _____

Причина обращения _____

Дата получения от ремонта ____ 20__

Инструмент проверен в моем присутствии _____

(Заказ заполняется в Сервисном Центре) (Подпись)

Место печати
или штампа

Наименование _____
 Серийный номер _____ 20__
 Дата продажи ____ 20__
 Дата получения от ремонта ____ 20__

P.I.T.

Талон № 2

Наименование _____

Серийный номер _____

Дата продажи « ____ » ____ 20__

(Заполняется продавцом)

КАРТА ГАРАНТИЙНОГО РЕМОНА

Дата приема ремонт ____ 20__

Заявка на ремонт _____

Заказчик _____

Телефон (адрес) _____

Причина обращения _____

Дата получения от ремонта ____ 20__

Инструмент проверен в моем присутствии _____

(Заказ заполняется в Сервисном Центре) (Подпись)

Место печати
или штампа

Наименование _____
 Серийный номер _____ 20__
 Дата продажи ____ 20__
 Дата получения от ремонта ____ 20__

P.I.T.

Талон № 3

Наименование _____

Серийный номер _____

Дата продажи « ____ » ____ 20__

(Заполняется продавцом)

КАРТА ГАРАНТИЙНОГО РЕМОНА

Дата приема ремонт ____ 20__

Заявка на ремонт _____

Заказчик _____

Телефон (адрес) _____

Причина обращения _____

Дата получения от ремонта ____ 20__

Инструмент проверен в моем присутствии _____

(Заказ заполняется в Сервисном Центре) (Подпись)

Место печати
или штампа

Наименование _____
 Серийный номер _____ 20__
 Дата продажи ____ 20__
 Дата получения от ремонта ____ 20__



P.I.T.

Media account

 [pit_global](#)  [PIT Global](#)  [YouTube PIT Global](#)

 bod@pit-tools.com  www.pit-tools.com