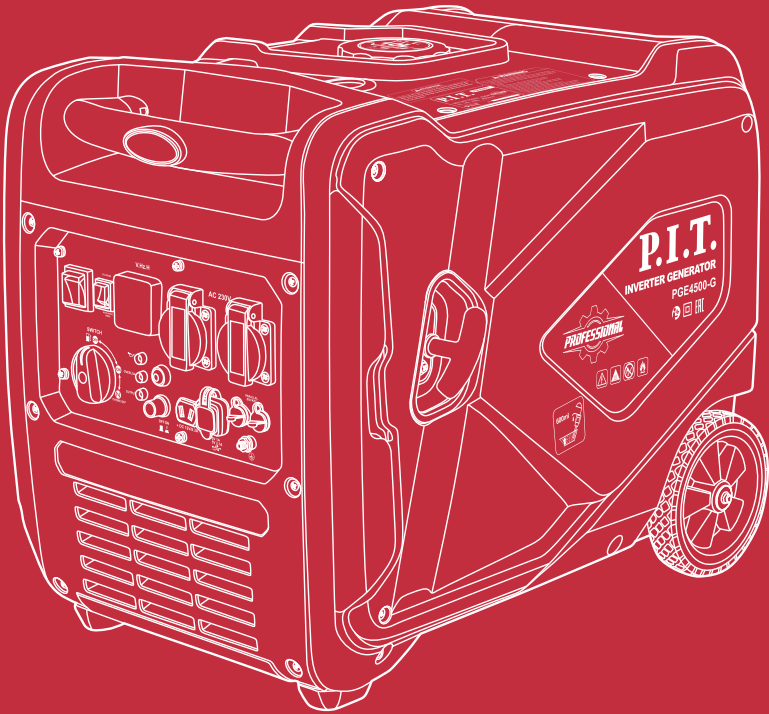


P.I.T.

PGE4500-G



INVERTER GENERATOR

БЕНЗИНОВЫЙ ИНВЕРТОРНЫЙ ГЕНЕРАТОР

4500W

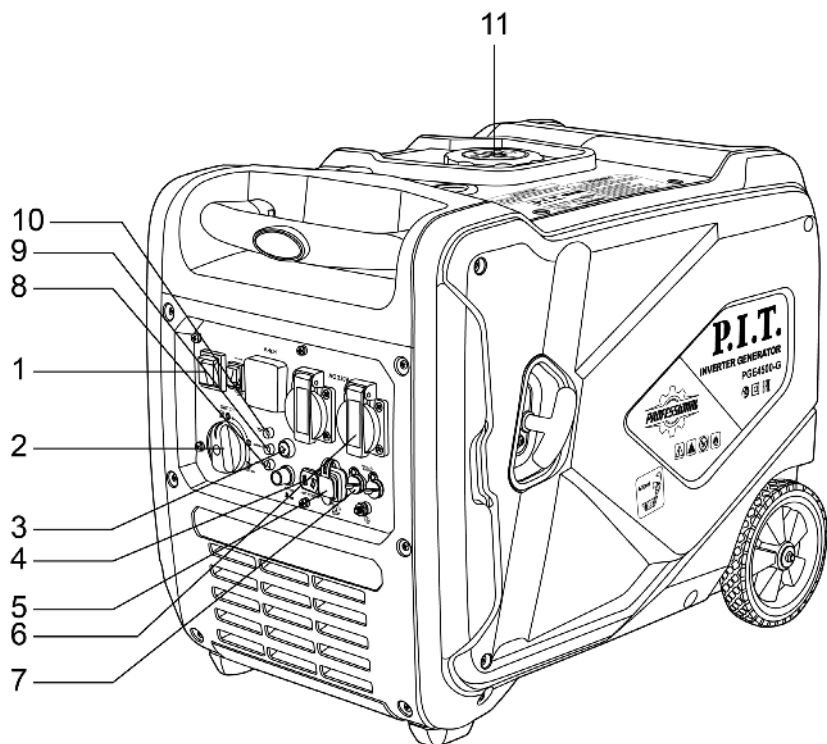
**Powerful
Efficient**

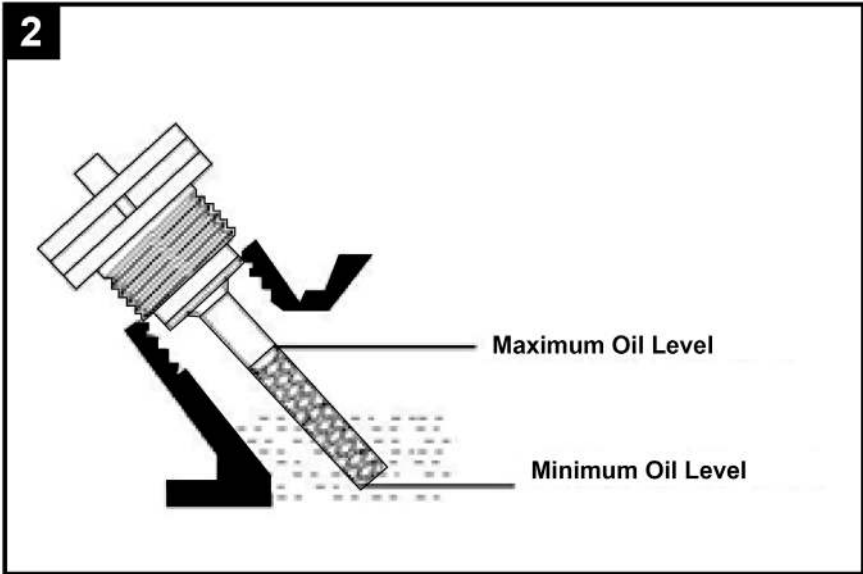
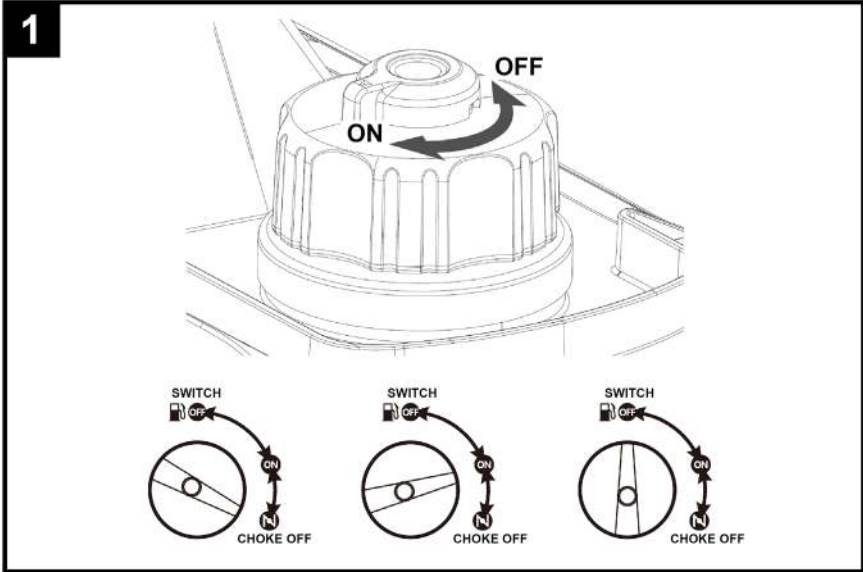
Please read the instruction manual carefully before use!

Пожалуйста, внимательно прочитайте инструкцию перед использованием!



EAC





English

Safety notes

General power tool safety warnings



WARNING Read all safety warnings and all instructions.

Failure to follow the warnings and instructions may result in electric shock, fire and/or serious injury.

Save all warnings and instructions for future reference.

Work area safety

- ▶ **Do not use this generator indoors. The exhaust from this generator produces "deadly" carbon monoxide.** Exposure to carbon monoxide can cause carbon monoxide poisoning, headaches, nausea, severe illness, or death.
- ▶ **This generator produces electricity. Therefore, safety precautions must be followed.** Improper use of this generator can result in electric shock, injury or death. Do not operate, service or repair this generator unless you are fully qualified to do so.
- ▶ **This generator is designed for dry, outdoor use only.** Do not use the generator indoors, in rain, snow, or in high humidity. Failure to follow these instructions may result in damage to the unit, personal injury, or even death from electric shock.

Electrical safety

- ▶ **If the generator is connected to a building, home, business, or other electrical circuit that is normally fed by the utility grid, it is imperative that proper isolation be provided between the generator output and the utility grid.** This is usually accomplished with a properly installed transfer switch. Failure to properly isolate the utility grid from the generator's electrical systems can result in damage to the generator and injury or death to utility workers due to back current.
- ▶ **To prevent backflow into utility systems, it is necessary to isolate the residential electrical system.** Before connecting the generator to the utility system, turn off the main switch. For permanent connections, install a two-position switch. To avoid electric shock or property damage, only a qualified electrician should connect the generator to the residential system.
- ▶ **Do not modify or use the generator set**

for purposes other than those intended. Using the generator for purposes other than those intended may result in damage to the unit, personal injury, or even death from electrical shock.

- ▶ **Never touch the socket or exposed wire, this may result in electric shock, fire or explosion.**
- ▶ **Ensure that there is at least 6 feet (1.8 meters) of clearance on each side of the generator when it is running.** Failure to do so may result in damage to the generator and a fire hazard.
- ▶ **Gasoline is highly flammable and its vapors are explosive.** Improper handling of gasoline can cause an explosion or fire. Do not allow smoking within 50 feet (15 meters) of the generator.
- ▶ **Never refuel a hot generator or add fuel while the unit is running.** Spilling gasoline on the engine or generator can cause an explosion or fire. Always allow the generator to cool before refueling.
- ▶ **Do not store the generator where gasoline vapors may come into contact with sparks, pilot lights, or open flames.** Improper storage of the unit may cause an explosion or fire.
- ▶ **Check the spark arrester periodically.** Spark arresters are required in some areas and minimize the risk of fire from sparks emitted from the exhaust pipe.
- ▶ **Do not operate this generator if the ambient temperature exceeds 104°F/40°C.**
- ▶ **Do not exceed the generator's rated power. To determine the total electrical load, add the total electrical loads at each outlet. The total load should not exceed the generator's rated power.** If the device being driven does not list the wattage, but only the amperage, the wattage can be determined by multiplying the amperage by the voltage (watts = amps x volts).

Personal safety

- ▶ **Keep hands, body parts, hair and clothing away from hot parts of the generator set during and after operation.** The exhaust system and generator can remain very hot even after shutdown.
- ▶ **Do not change the set engine speed. The generator operates at a rated speed of 3600 rpm.** Increasing the speed above this point may increase the risk of injury due to excessive rotational loads on the

moving parts. Operating the generator at speeds below 3600 rpm may cause damage to the generator itself or connected equipment due to insufficient output voltage.

Use and maintenance of cordless tools

- ▶ **Batteries produce and release explosive hydrogen gas when charging.** The slightest spark, flame, or burning ash can ignite these gases, causing a major explosion that could result in serious injury.
- ▶ **When handling or servicing the battery, wear safety glasses, a rubber apron, and rubber gloves.** Battery fluid is extremely corrosive sulfuric acid and can cause severe burns.
- ▶ **Always disconnect the negative (-) battery cable before performing battery service or any electrical work on the generator or engine.**

Use and maintenance of gasoline generator

- ▶ **Do not connect the control board and variable board connectors at the same time!** This may cause the generator fuel coil to overheat.
- ▶ **Make sure the total load matches the generator capacity, make sure the starting current does not exceed the maximum current the generator can handle.**
- ▶ **It is not recommended to operate the generator at a load of less than 20% of its rated power for a long time (more than 1 hour).** At low load, incomplete combustion of fuel may occur, which will lead to failure of the spark plug. Maintain the generator load at least 20% of its rated power, even if you do not need it.
- ▶ **Charging larger batteries (industrial, etc.) or charging several batteries at the same time will result in excessively high generator output current.** This may cause the generator stator windings to overheat. The presence of DC circuit protection does not guarantee that the generator will fail due to DC circuit overload.
- ▶ **When charging the battery, explosive gases (hydrogen) are released. Do not smoke, keep open flames or heat sources away from the battery charging area. Charge in a well-ventilated area. To avoid sparks, connect the charging cables to the battery terminals first and**

then to the DC connector on the generator control panel. When disconnecting cables, always disconnect them from the generator connector first.

- ▶ **When connecting the charging cable to the battery terminal, connect the positive wire (red) to the battery port first, then the negative wire (black).** Be careful to observe the polarity: positive wire (+) to positive, negative (-) to negative.
- ▶ **Use a minimum 10 amp power cable. If there is no power, turn off the generator and check the fuse.**
- ▶ **In winter operating conditions, it is recommended to fill the generator tank more often to keep it as full as possible.** This will help prevent excess moisture in the fuel from condensing on the walls of a half-empty tank and water from getting into the fuel.
- ▶ **At low ambient temperatures, special casings for engine insulation are permitted.** The generator should not be used at temperatures below 10°C.
- ▶ **When starting a cold engine, close the injector flaps completely,** which will provide a richer fuel mixture and make starting easier.

NOTE! When operating the generator in the winter, it is recommended to place it in a storage container immediately after stopping the engine. This will help prevent water vapor from forming an ice block inside the generator, which can make subsequent starting difficult. This approach will make it easier to start the generator in cold temperatures.

- ▶ **During the generator operation, ice jam formation is impossible, as the air circulating in the device is heated to the operating temperature.** Constant air circulation maintains its temperature above 50°C.
- ▶ **If the engine has frozen during storage, starting such an engine is prohibited! Malfunctions (cracked valves) are possible, which are a consequence of non-compliance with the operating temperature regime. Place the generator in a warm room and wait until it warms up.** Then check again whether the carburetor or valve group needs adjustment. Please contact the service center.

NOTE! Do not use blowtorches! Leave the generator in a warm, dry place for several hours until it reaches room temperature.

Important safety rules for working with a battery pack

Attention! To ensure reliable operation, generators are equipped with several safety systems that reduce the risk of failure and warn the operator about the need to comply with the operating rules of the generator set.


- ▶ **These indicators are designed to identify the main causes of possible generator failure, but they cannot completely eliminate all risks.** Ignoring their warnings and not following the recommendations for troubleshooting can contribute to the occurrence of malfunctions.
- ▶ **The green indicator on the control panel indicates that the generator is operating normally.** If the indicator is on, it means that the generator is operating stably and does not require intervention.
- ▶ **When the generator is overloaded, the green indicator goes out. Do not allow the generator to operate in this mode!** Turn off the load, disconnect the power cord from the generator outlet and stop the engine. Allow the generator to cool down.
- ▶ **Operating the generator under overload may cause overheating and damage to the stator windings.**
- ▶ **The AC overload protection system includes automatic fuses in the power circuit.** If the generator is overloaded for a long period, the fuse opens the circuit, shutting down the generator and preventing further use.
- ▶ **The automatic engine speed controller puts the engine into idle mode, which causes the AC outlet to stop flowing.** However, under heavy loads, the engine may exceed its maximum speed, which will reduce its efficiency.
- ▶ **It is recommended to wait a few minutes before restarting.**
- ▶ **The power line overload protection system is equipped with an automatic fuse installed on the DC line and a switch on the control panel.**
- ▶ **If the battery capacity exceeds 80 Ah or another overload occurs in the DC circuit, the fuse may trip and the current from the DC outlet will be cut off.**
- ▶ The presence of a fuse in the generator power supply does not guarantee that the generator will not fail when overloaded.
- ▶ Before connecting equipment to the generator, be sure to calculate its starting power

and rated power consumption!

- ▶ **The third safety system is the engine oil level monitoring system, which blocks the engine power circuit when the oil level drops.**
- ▶ **The generator is equipped with an automatic low oil level protection system.** The engine has a float sensor that is triggered when the oil level drops below the permissible minimum.
- ▶ **When the oil light comes on, stop the engine immediately.** This will slow the engine down to the level necessary to prevent overheating.
- ▶ **To restart the generator, you must first correct the low oil level problem.** Running the engine with insufficient oil can cause it to overheat. The presence of an oil level sensor does not guarantee that the engine will not fail due to starting without oil.
- ▶ Check the oil level regularly to ensure reliable operation of the generator.
- ▶ Once the sensor has been triggered, immediate action must be taken to eliminate the malfunction by adding engine oil to the level corresponding to the maximum mark.
- ▶ **The buyer may be denied warranty service if the generator failure was due to lack of oil or an attempt to start the engine without oil or with a low oil level.**
- ▶ **Signs of non-compliance with operating temperatures and engine lubrication levels are:** damage and wear of piston rings, scratches and wear of the cylinder and pistons, as well as damage to the housing supports and piston pin bearings.

Gasoline generator safety instructions

Always adhere to local electrical codes that apply to generators. Local requirements take precedence over the instructions provided in this manual.

 **WARNING:** Check your local electrical code to determine grounding requirements as they may vary depending on the application. The generator is grounded internally through a neutral wire connected to the frame. If the application requires external grounding, the generator must be connected to a reliable grounding circuit. Use continuous copper wire without joints, no less than 6 AWG.

- ▶ **When moving or transporting the generator, take the necessary precautions**

to avoid fuel spills. Also, always use common sense when lifting the generator. Use sufficient people and use proper lifting techniques.

- ▶ **Do not cover the generator while it is running or immediately after it has been turned off.** Always allow time to cool before covering.
- ▶ **Do not use the generator if it is in poor mechanical or electrical condition.**
- ▶ **Always keep hands, other body parts, hair and clothing away from rotating parts of the generator.**
- ▶ **Do not run the generator with any devices plugged in and turned on.** Before starting the generator, make sure all connected devices are unplugged or turned off.
- ▶ **At work and construction sites, generators may be equipped with sockets with residual current devices (RCDs).**
- ▶ **Use only grounded extension cords that are in good condition and have conductors of sufficient size to safely carry the voltage from the generator.**
- ▶ **Never touch extension cords or electrical circuits while in water or wet conditions.**

Product and service description



Read all safety instructions and warnings. Failure to follow safety instructions and warnings may result in electric shock, fire, and serious injury.

Intended use

This generator is designed to power single-phase household electrical appliances.

Components shown

The numbering of the presented components is done according to the image on the illustration page.

1. Power button
2. Fuel button
3. Reset button
4. DC 12V jack
5. DC USB jack
6. AC 230V jack
7. Power socket
8. Operation indicator
9. Overload indicator
10. Oil pressure indicator
11. Fuel tank cap

Technical specifications

Model	PGE4500-G
Rated Voltage	220-240V / 50 Hz
Power	4500 W
Fuel tank capacity	10 L
Oil capacity	0.6 L
Displacement	236 CC
Rated no-load speed	3600 r/min
Weight	44 Kg

Contents of delivery

Inverter generator	1 pc
Ground wire	1 pc
Plug (AC)	2 pcs
Spark plug key	1 pc
Funnel	1 pc
Screwdriver	1 pc
Operating manual	1 pc

Note

The text and digital designations of the instructions may contain technical errors and typos. Since the P.I.T. tool is constantly being improved, the company reserves the right to make changes to the technical characteristics and equipment specified herein without prior notice.

Operational

Starting the generator

To start the generator, follow these steps:

- ▶ Disconnect all electrical devices from the generator during starting. Otherwise, the engine may not start.
- ▶ Make sure the generator is properly grounded.
- ▶ Check the oil and fuel levels.
- ▶ Turn the choke switch to the "OFF" position.
- ▶ The fuel cap is equipped with a bleed valve. Open the vacuum relief valve on the top of the fuel cap "ON". This will allow fuel to flow into the carburetor to run the engine. When the generator is not in use, the bleed valve should be in the "OFF" position.
- ▶ Turn the 3-in-1 switch to the "DAMPER CLOSED" position.
- ▶ Pull the starter handle slowly until you feel a slight resistance, then pull sharply to start the engine. Gently release the cord back. Never allow the cord to return sharply.
- ▶ After the engine starts, slowly switch to the "ON" position.

Allow the generator to run for a few minutes

before connecting electrical devices. This will allow the generator to stabilize its speed and temperature.

Stopping the generator

- ▶ Turn off all electrical devices before disconnecting them from the generator. Disconnecting devices that are running may damage the generator.
- ▶ Switch the air damper to the "OFF" position.
- ▶ Close the vacuum relief valve on the fuel tank cap. Turn counterclockwise to the "OFF" position.

WARNING: Allow the generator to cool for several minutes before touching hot parts.

WARNING: Never store the generator for an extended period of time with fuel in the tank.

Maintain**Cleaning the generator**

Never clean the generator while it is running! Do not use water to wash or clean the generator. Water may get into the working parts of the generator and cause a short circuit or corrosion.

Always try to use the generator in a cool, dry place. Use a cloth (rag) to clean the external surfaces. Before each engine start, remove dirt and oily deposits from the air cooling fins, air intake valve, levers, rods and other parts. Keep the generator clean to ensure optimal engine cooling.

Checking the oil level

The generator is equipped with a circuit breaker to protect against low oil operation. The oil level should be checked before each use. This is critical to proper engine starting. To check the oil level:

- ▶ Make sure the generator is on a level surface.
- ▶ Open the cover. Clean around the oil filler hole. Remove the dipstick and wipe it with a clean rag. Insert the dipstick into the oil filler hole. Remove the dipstick to check the oil level. Add oil if necessary.
- ▶ Gradually add oil and repeat step 2 until the oil level reaches the top of the dipstick (Figure 2). Do not overfill the crankcase.
- ▶ Reinstall the dipstick and cover.

Oil change/add

Change the oil when the engine is warm. This will ensure that the oil is completely drained. Change the oil more often when operating under heavy load or at high ambient temperatures. It is also necessary to drain the oil from the crankcase if it is contaminated.

The generator engine oil capacity is 0.35 liters. Drain the generator oil according to the following steps after removing the side panel.

- ▶ Place the generator on an elevated platform. Place a container next to it for used oil. Turn the choke switch to the "OFF" position.
- ▶ Unscrew the dipstick and set it aside.
- ▶ Tilt the generator so that the used oil flows out of the engine into a container. Tilt it further to ensure that all the oil has drained from the crankcase.
- ▶ Fill the crankcase with fresh oil and reinstall the dipstick. Be sure to clean up any spilled oil before closing the side panel.

Filling the crankcase with oil

- ▶ Make sure the generator is on a level surface. Tilting the generator to help fill will cause oil to spill into the engine areas and cause damage. Keep the generator level!
- ▶ Remove the dipstick from the engine.
- ▶ Using a funnel or appropriate dispenser, add the required amount of oil to the crankcase. The engine is equipped with an oil pressure sensor and will not start if there is insufficient oil.
- ▶ Install back dipstick.

Note: Never pour used motor oil into the trash or drain. Please contact your local recycling center or auto repair shop for oil disposal.

Air filter maintenance

Regular maintenance of the air filter helps maintain proper air flow to the carburetor. Check periodically to make sure the air filter is clean.

- ▶ Remove the side panel.
- ▶ Remove the three screws and take out the air filter element.
- ▶ Check and clean the air filter. If the filter is damaged, replace it with a new one. The filter can be cleaned with soapy water and dried before use. There is no need to oil the filter element.
- ▶ Wipe off excess oil in the air filter housing. A small amount of oil in the filter element is normal and necessary for proper engine operation.
- ▶ Reinstall the air filter and side panel.

Spark plug maintenance

Every 100 hours of engine operation, but at least once a year, check the condition of the spark plug in the following order:

- ▶ Open the spark plug servicing cover.
- ▶ Clean the area around the spark plug.
- ▶ Disconnect the high voltage wire.
- ▶ Remove the spark plug using the Allen key

supplied. The spark plug electrodes should be light brown.

- ▶ Replace the spark plug if the ceramic insulator is chipped, or if the electrodes are uneven, carbonized, or burnt out.
- ▶ Clean the electrodes with fine sandpaper down to the metal, check and adjust the gap.
- ▶ Check the gap size between the ground and central electrodes using a special probe. If necessary, set the gap to 0.6-0.7 mm.
- ▶ Install the spark plug into the engine and tighten it securely. Insufficient tightening of the spark plug can cause the spark plug to overheat and damage the engine. A new spark plug should be tightened with a spark plug wrench by 1/2 turn. A reinstalled spark plug should be tightened with a spark plug wrench by 1/8 to 1/4 turn.
- ▶ Connect the high voltage wire.
- ▶ Close the spark plug servicing cap.

Maintenance and service

Maintenance and cleaning

- ▶ Cleaning the generator should only be carried out when the engine is turned off and cooled down.
- ▶ Do not use abrasive cleaners containing alcohol or strong solvents to clean the generator.
- ▶ It is permitted to use special alkaline cleaning agents intended for generators.
- ▶ For cleaning, use a damp soft cloth.
- ▶ Do not allow water to enter the generator.

Service

- ▶ Repairs to your tool should only be carried out by qualified personnel and only using original spare parts. This ensures the safety of the tool.
- ▶ The list of authorized service centers can be found on the official P.I.T. website at the following link: <https://pittools.ru/servises/>

Storage and transportation

The generator in the manufacturer's packaging can be transported by all types of internal transport at an air temperature of -10 to +40°C and a relative humidity of no more than 80% (at a temperature of +25°C). During transportation, it is necessary to exclude possible impacts and damage to the product packaging in the vehicle. All components, such as the generator, operating instructions, etc., should be stored in a dry and ventilated place, away from children and direct sunlight. This will ensure access to all parts and the

necessary information later.

POSSIBLE MALFUNCTIONS

Malfunction	Possible reasons	Solution
The engine cannot start	There is no fuel in the tank.	Check the oil level and fill the tank with fresh gasoline.
	The automatic oil level control system is started.	Check the oil level and heat it if necessary.
	The generator is in an inclined position.	Place the generator in a horizontal position.
	Oil entering the combustion chamber (due to a strong tilt or fall of the generator).	Clean the carburetor and air filter.
	There is no spark on the spark plug.	Remove the spark plug, check its condition and replace it.
	No fuel is supplied to the carburetor: the fuel valve is closed and the carburetor filter is clogged.	Open the fuel valve and clean the filter.
The generator operation is unstable	Air filter contamination.	Clean or install a new filter.
	Low engine speed and speed controller failure.	Have the engine set to its rated speed at a service center.
Voltage drop under load or separately	The generator is overloaded.	Reduce the load on the generator by turning off some electrical equipment.
	Voltage stabilizer failure.	Contact the service center.
Generator overheating	Generators operating at altitudes over 2000 meters.	If you need to work under similar conditions, have the generator adjusted at a service center.
	The ambient temperature is too high.	The ambient temperature is too high. The generator is designed to operate at an ambient temperature not exceeding +40°C.

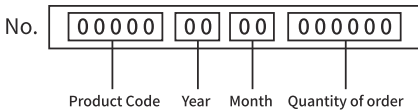
Dispose of waste



The tool and its components are made of materials and substances that are harmless to the environment and human health. However, in order to avoid negative impacts on the environment, when the tool has been used (expired) or is no longer suitable for further use, the tool must be disposed of at a scrap metal and plastic recycling station.

Disposal of tools and components involves their complete disassembly and sorting by type of material and substance for subsequent remelting or secondary disposal. The tool should be disposed of without causing harm to the environment.

Product serial number interpretation serial number



The date of manufacture of the product is encoded in the serial number printed on the body of the tool. The first 2 digits indicate the year of issue, the next 2 digits indicate the month.

TERMS OF WARRANTY SERVICE

To customers (users) of warranty service:

1. This warranty certificate is the only document that confirms your right to free warranty service. If this proof is not presented, no claims will be accepted. Warranty certificates cannot be recovered if lost or damaged.
2. It is required to provide a valid and legal document for purchasing the product. The document must have the name or seal of the sales company; at the same time, state the full model name of the purchased P.I.T. product, the serial number on the nameplate of the fuselage, and the date of purchase, and the required warranty. The whole machine and its accessories.

The warranty period:

1. The warranty period of the product is 12 months from the date of sale. During the warranty period, the service department will eliminate manufacturing defects free of charge and replace the parts that fail due to the manufacturer's fault. In warranty repair, an equivalent operable product is not provided. Replaceable parts become the property of the service provider.
2. The wear degree on the diameter of the

motor rotor commutator is less than 0.4 mm (except for brushless motor tools), and the internal damage caused by the quality of the tool belongs to the warranty.

The following situations occur during the warranty period, which is not covered by the warranty:

1. In the absence of any valid legal documents (invoices) such as warranty certificates and warranty cards to prove the date of purchase.
2. Damage caused by natural wear and overload. (For example, motor rotor and stator failure caused by overload, scorching or melting of the primary winding of the welding machine transformer, charging or starting the charging device, melting of internal parts, burning of electronic circuit boards, etc.)
3. The casing and power cord are mechanically damaged, as well as damage caused by corrosive media and high and low temperature, foreign objects entering the ventilation network of the motor, and damage caused by improper storage (corrosion of metal parts);
4. Damage caused by improper carrying, transportation and storage by users.
5. Products that are opened, repaired, replaced or modified by users themselves.
6. Any damage caused by indiscriminate use, beyond the scope of use of the tool, and not in accordance with the instructions for use and maintenance. (see chapter "Safety Precautions" in the manual);
7. The damage caused by the following situations is not guaranteed due to improper use and non-quality problems:
 - (1) When the power tool is running at high speed, use the braking device to forcibly stop the rotation.
 - (2) Excessive pressure is applied to the tool during the use of the tool.
 - (3) Use the tool outside the scope of its purpose and capabilities.
 - (4) Damage caused by the tool working in a dusty environment for a long time without timely maintenance of the tool.
 - (5) Change the rotation direction of the work head before the tool stops completely.
 - (6) Shock the battery or charger and replace the plug of the charger without permission, causing damage to the battery or charger.
 - (7) Damage caused by two-stroke gasoline tools not being fueled in the correct proportions.

The warranty does not include:

1. Replacement of accessories (accessories

and components) such as batteries, discs, blades, drills, chucks, chains, sprockets, collet clamps, guide rails, tension and fastening elements, dresser heads, grinders And belt sander base machine, hexagonal head, etc.;

2. Wearing parts, such as: carbon brushes, transmission belts, seals, protective covers, guide rollers, guide rails, rubber seals, bearings, toothed belts and wheels, shanks, brake belts, starter ratchets and ropes, piston rings Wait.

The above accessories are replaced with paid services during the warranty period;

Общие указания по технике безопасности для электроинструментов



ПРЕДУПРЕЖДЕНИЕ Прочтите все указания и инструкции по технике безопасности. Несоблюдение указаний и инструкций по технике безопасности может стать причиной поражения электрическим током, пожара и тяжелых травм.

Сохраняйте эти инструкции и указания для будущего использования.

Безопасность рабочего места

- ▶ **Не используйте этот генератор в закрытом помещении. Выхлопные газы этого генератора выделяют «смертельный» угарный газ.** Воздействие угарного газа может вызвать отравление угарным газом, головные боли, тошноту, тяжелую болезнь или смерть.
- ▶ **Этот генератор вырабатывает электрический ток. Поэтому необходимо соблюдать правила техники безопасности.** Неправильное использование этого генератора может привести к поражению электрическим током, травме или смерти. Не эксплуатируйте, не обслуживайте и не ремонтируйте этот генератор, если у вас нет для этого полной квалификации.
- ▶ **Этот генератор предназначен исключительно для эксплуатации в сухих условиях и на открытом воздухе.** Не используйте генератор внутри помещений, в дождь, снег или в условиях высокой влажности. Нарушение этих рекомендаций может привести к повреждению устройства, телесным травмам или даже летальному исходу вследствие поражения электрическим током.

Электробезопасность

- ▶ **Если генератор подключен к зданию, дому, предприятию или другой электрической цепи, обычно питаемой от коммунальной сети, обязательно необходимо обеспечить надежную изоляцию между выходом генератора и коммунальной сетью.** Это обычно достигается с помощью правильно установленного переключателя. Несоблюдение требований по изоляции между коммунальной сетью и электрическими системами генератора может привести к

его повреждению, а также вызвать травмы или летальный исход у работников коммунальных служб из-за обратного тока.

- ▶ **Чтобы предотвратить обратный ток в коммунальные системы, необходимо обеспечить изоляцию жилой электрической сети.** Перед подключением генератора к сети выключите главный выключатель. Для выполнения постоянных подключений установите двухпозиционный переключатель. Во избежание поражения электрическим током или повреждения имущества, подключение генератора к жилой системе должен осуществлять только квалифицированный электрик.
- ▶ **Не модифицируйте и не используйте генераторную установку не по назначению.** Эксплуатация генератора не по назначению может привести к повреждению устройства, телесным повреждениям или даже смерти от поражения электрическим током.
- ▶ **Никогда не прикасайтесь к розетке или оголенному проводу, это может привести к поражению электрическим током, а также к пожару или взрыву.**
- ▶ **Убедитесь, что вокруг работающего генератора сохраняется зазор не менее 6 футов (1,8 метра) с каждой стороны.** Несоблюдение этого требования может привести к повреждению генератора и возникновению пожара.
- ▶ **Бензин легко воспламеняется, а его пары являются взрывоопасными.** Неправильное обращение с бензином может вызвать взрыв или пожар. Не допускайте курения в радиусе 50 футов (15 метров) от генератора.
- ▶ **Никогда не заправляйте горячий генератор топливом и не добавляйте топливо во время работы устройства.** Пролит бензин на двигатель или генератор может привести к взрыву или пожару. Перед заправкой обязательно дайте генератору остыть.
- ▶ **Не храните генератор в местах, где пары бензина могут столкнуться с искрами, запальными горелками или открытым пламенем.** Неправильное хранение устройства может вызвать взрыв или пожар.
- ▶ **Периодически проверяйте искрогаситель.** Искрогасители требуются в не-

которых областях и сводят к минимуму риск возгорания от искр, выбрасываемых из выхлопной трубы.

- ▶ **Не эксплуатируйте этот генератор, если температура окружающей среды превышает 104°F/40°C.**
- ▶ **Не превышайте номинальную мощность генератора. Для определения общей электрической нагрузки необходимо сложить общие электрические нагрузки на каждой розетке. Общая нагрузка не должна превышать номинальную мощность генератора.** Если на приводимом устройстве не указана мощность в ваттах, а только сила тока, мощность в ваттах можно определить, умножив силу тока на напряжение (ватты = амперы x вольты).

Безопасность людей

- ▶ **Держите руки, части тела, волосы и одежду подальше от «горячих» частей генераторной установки во время и после работы.** Выхлопная система и генератор могут оставаться очень горячими даже после выключения.
- ▶ **Не изменяйте установленную скорость работы двигателя.** Генератор функционирует на номинальной скорости 3600 об/мин. Увеличение скорости выше этой отметки может повысить риск травм из-за чрезмерных вращательных нагрузок на движущие элементы. Работа генератора на скорости ниже 3600 об/мин может привести к повреждению самого генератора или подключенного оборудования из-за недостаточного выходного напряжения.

Применение и обслуживание аккумуляторного инструмента

- ▶ **Аккумуляторные батареи производят и выделяют взрывоопасный водородный газ при зарядке.** Малейшая искра, пламя или горящий пепел могут воспламенить эти газы, вызвав серьезный взрыв, который может привести к серьезным травмам.
- ▶ **При работе с аккумулятором или его обслуживании надевайте защитные очки, резиновый фартук и резиновые перчатки.** Аккумуляторная жидкость представляет собой чрезвычайно едкую серную кислоту, которая может вызвать серьезные ожоги.
- ▶ **Всегда отсоединяйте отрицательный (-) кабель аккумуляторной батареи**

перед выполнением обслуживания аккумуляторной батареи или любых электрических работ на генераторе или двигателе.

Применение и обслуживание бензинового генератора

- ▶ **Не подключайте одновременно разъемы платы управления и переменной платы!** Это может привести к перегреву топливной катушки генератора.
- ▶ **Убедитесь, что общая нагрузка соответствует мощности генератора, убедитесь, что пусковой ток не превышает максимальный ток, который может выдержать генератор.**
- ▶ **Не рекомендуется использовать генератор с нагрузкой менее 20% от его номинальной мощности в течение длительного времени (более 1 часа).** При низкой нагрузке может произойти неполное сгорание топлива, что приведет к выходу из строя свечи зажигания. Поддерживайте нагрузку генератора не менее 20% от его номинальной мощности, даже если это вам не требуется.
- ▶ **Зарядка аккумуляторов большей емкости (промышленных и т.п.) или одновременная зарядка нескольких аккумуляторов приводит к чрезмерно высокому выходному току генератора. Это может привести к перегреву обмоток статора генератора.** Наличие защиты цепи постоянного тока не гарантирует, что генератор выйдет из строя из-за перегрузки цепи постоянного тока.
- ▶ **При зарядке аккумулятора выделяются взрывоопасные газы (водород). Не курите, не подносите к месту зарядки аккумулятора открытый огонь или источники тепла. Проводите зарядку в хорошо проветриваемом помещении.** Во избежание появления искр сначала подсоединяйте провода зарядки к клеммам аккумулятора и только затем к разъему постоянного тока на панели управления генератора. При отсоединении проводов всегда отсоединяйте их, начиная с разъема генератора.
- ▶ **При подключении кабеля зарядки к клемме аккумулятора сначала подключите положительный провод (красный) к порту аккумулятора, затем отрицательный провод (черный).** Будьте внимательны, соблюдая полярность: положительный провод (+)

к положительному, отрицательный (-) к отрицательному.

- ▶ **Используйте кабель питания, минимум 10 А. Если питание не поступает, выключите генератор и проверьте предохранитель.**
- ▶ **В зимних условиях эксплуатации рекомендуется чаще заправлять бак генератора, чтобы он оставался как можно более полным.** Это поможет предотвратить конденсацию избыточной влаги в топливе на стенках полупустого бака и попадание воды в топливо.
- ▶ **При низких температурах окружающей среды допускается использование специальных кожухов для изоляции двигателя.** Генератор не следует использовать при температуре ниже 10°C.
- ▶ **При запуске остывшего двигателя полностью закройте заслонки форсунок, что позволит получить более богатую топливную смесь и облегчит запуск.**

ПРИМЕЧАНИЕ! При эксплуатации генератора в зимний период рекомендуется поместить его в контейнер для хранения сразу после остановки двигателя. Это поможет предотвратить образование ледяной глыбы из водяного пара внутри генератора, что может затруднить последующий запуск. Такой подход облегчит запуск генератора в условиях низких температур.

- ▶ **В процессе работы генератора образование ледяного затора невозможно, так как циркулирующий в устройстве воздух нагревается до рабочей температуры.** Постоянная циркуляция воздуха поддерживает его температуру выше 50°C.
- ▶ **Если двигатель замерз при хранении – запуск такого двигателя запрещен! Возможны неисправности (трещины клапанов), которые являются следствием несоблюдения температурного режима эксплуатации.** Поместите генератор в теплое помещение и подождите, пока он нагреется. Затем еще раз проверьте, требуется ли регулировка карбюратора или группы клапанов. Пожалуйста, обратитесь в сервисный центр.

ПРИМЕЧАНИЕ! Использование паяльных ламп запрещено! Оставьте генератор в теплом сухом месте на несколько часов, пока он не достигнет комнатной температуры.

Важные правила техники безопасности для работы с аккумуляторным блоком

Внимание! Для обеспечения надежной работы генераторы оснащены несколькими системами безопасности, которые снижают риск выхода из строя и предупреждают оператора о необходимости соблюдения правил эксплуатации генераторной установки.

- ▶ **Эти индикаторы предназначены для выявления основных причин возможного выхода генератора из строя, но они не могут полностью исключить все риски.** Игнорирование их предупреждений и несоблюдение рекомендаций по устранению проблем могут способствовать возникновению неисправностей.
- ▶ **Зеленый индикатор на панели управления сигнализирует о нормальной работе генератора.** Если индикатор горит, это означает, что генератор работает стабильно и не требует вмешательства.
- ▶ **При перегрузке генератора зеленый индикатор гаснет. Не допускайте работы генератора в этом режиме!** Отключите нагрузку, отсоедините шнур питания от розетки генератора и остановите двигатель. Дайте генератору остыть.
- ▶ **Эксплуатация генератора при перегрузке может привести к перегреву и повреждению обмоток статора.**
- ▶ **Система защиты от перегрузки переменного тока включает автоматические предохранители в цепь питания.** При длительной перегрузке генератора предохранитель разрывает цепь, отключая генератор и предотвращая дальнейшее использование.
- ▶ **Автоматический регулятор оборотов двигателя переводит его в режим холостого хода, что приводит к исчезновению тока в розетке переменного тока.** Тем не менее, при высоких нагрузках двигатель может превысить максимальные обороты, что снизит его эффективность.
- ▶ **Перед перезапуском рекомендуется подождать несколько минут.**
- ▶ **Система защиты от перегрузки линии электропередачи оснащена автоматическим предохранителем, установ-**

ленным на линии постоянного тока, а также переключателем на панели управления.

- ▶ Если емкость аккумулятора превышает 80 А*ч или возникает другая перегрузка в цепи постоянного тока, может сработать предохранитель, и ток из розетки постоянного тока исчезнет.
- ▶ Наличие предохранителя в блоке питания генератора не гарантирует, что генератор не выйдет из строя при перегрузке.
- ▶ Перед подключением оборудования к генератору обязательно рассчитайте его пусковую мощность и номинальную потребляемую мощность!
- ▶ Третья система безопасности — система контроля уровня моторного масла, которая блокирует силовую цепь двигателя при падении уровня масла.
- ▶ Генератор оснащен автоматической системой защиты от низкого уровня масла. В двигателе установлен поплавковый датчик, который срабатывает, когда уровень масла опускается ниже допустимого минимума.
- ▶ Когда загорится индикатор «масло», немедленно остановите двигатель. Это замедлит работу двигателя до уровня, необходимого для предотвращения перегрева.
- ▶ Для перезапуска генератора необходимо сначала устранить проблему низкого уровня масла. Работа двигателя при недостаточном уровне масла может привести к его перегреву. Наличие датчика уровня масла не гарантирует, что двигатель не выйдет из строя из-за запуска без масла.
- ▶ Регулярно проверяйте уровень масла для обеспечения надежной работы генератора.
- ▶ После срабатывания датчика необходимо немедленно принять меры для устранения неисправности, добавив моторное масло до уровня, соответствующего максимальной отметке.
- ▶ Покупателю может быть отказано в гарантийном обслуживании, если отказ генератора произошел из-за отсутствия масла или попытки запустить двигатель без масла или с низким уровнем масла.
- ▶ Признаками несоблюдения рабочих

температур и уровня смазки двигателя являются: повреждение и износ поршневых колец, царапины и износ цилиндра и поршней, а также повреждение опор корпуса и подшипников поршневых пальцев.

Инструкции по технике безопасности для бензинового генератора

Всегда придерживайтесь местных электротехнических норм и правил, применимых к генераторам. Местные требования имеют приоритет над инструкциями, представленными в этом руководстве.



ПРЕДУПРЕЖДЕНИЕ. Ознакомьтесь с местными электротехническими нормами и правилами, чтобы определить требования к заземлению, поскольку они могут различаться в зависимости от области применения. Генератор заземлен внутри через нейтраль, соединенную с рамой. Если условия эксплуатации требуют внешнего заземления, необходимо подключить генератор к надежному заземляющему контуру. Для этого используйте непрерывный медный провод без соединений, сечением не менее 6 AWG.

- ▶ При перемещении или транспортировке генератора принимайте необходимые меры предосторожности, чтобы избежать пролива топлива. Кроме того, всегда действуйте с учетом здравого смысла при подъеме генератора. Используйте достаточное количество людей и применяйте соответствующие методы подъема.
- ▶ Не накрывайте генератор во время работы или сразу после выключения. Всегда давайте время остыть перед тем, как накрывать.
- ▶ Не используйте генератор, если он находится в неудовлетворительном механическом или электрическом состоянии.
- ▶ Всегда держите руки, другие части тела, волосы и одежду подальше от вращающихся частей генератора.
- ▶ Не запускайте генератор с подключенными и включенными устройствами. Перед запуском генератора убедитесь, что все подключенные устройства отключены или выключены.
- ▶ На рабочих и строительных площадках генераторы могут быть оборудо-

дованы розетками с устройствами защитного отключения (УЗО).

- ▶ Используйте только заземленные удлинители, находящиеся в хорошем состоянии, и убедитесь, что их проводники имеют достаточное сечение для безопасной передачи напряжения от генератора.
- ▶ Никогда не прикасайтесь к удлинителям или электрическим цепям, находясь в воде или во влажной среде.

Описание продукта и услуг



Прочтите все указания и инструкции по технике безопасности. Упущения в отношении указаний и инструкций по технике безопасности могут стать причиной поражения электрическим током, пожара и тяжелых травм.

Назначение

Этот генератор предназначен для питания однофазных бытовых электроприборов.

Изображенные составные части

Нумерация представленных компонентов выполнена по изображению на странице с иллюстрациями.

1. Кнопка включения
2. Кнопка подачи топлива
3. Кнопка сброса
4. Разъем постоянного тока DC 12В
5. Разъем постоянного тока USB
6. Разъем переменного тока AC 230В
7. Разъем для подключения к сети
8. Индикатор работы
9. Индикатор перегрузки
10. Индикатор давления масла
11. Крышка топливного бака

Технические характеристики

Модель	PGE4500-G
Напряжение/частота тока	220-240V / 50 Hz
Мощность	4500 Вт
Емкость топливного бака	10 л
Емкость масляного бака	0,6 л
Объем	236 куб. см
Номинальная скорость холостого хода	3600 об/мин
Вес	44 кг

Комплект поставки

Бензиновый инверторный генератор	1 шт
Провод заземления	1 шт

Вилка (переменный ток)	2 шт
Ключ свечной	1 шт
Воронка	1 шт
Отвертка	1 шт
Руководство по эксплуатации	1 шт

Примечание

В тексте и цифровых обозначениях инструкции могут быть допущены технические ошибки и опечатки. Так как инструмент P.I.T. постоянно совершенствуется, компания оставляет за собой право вносить изменения в указанные здесь технические характеристики и комплектацию без предварительного уведомления.

Эксплуатация

Запуск генератора

Для запуска генератора выполните следующие шаги:

- ▶ Отключите все электрические устройства от генератора во время запуска. В противном случае двигатель может не запуститься.
 - ▶ Убедитесь, что генератор правильно заземлен.
 - ▶ Проверьте уровень масла и топлива.
 - ▶ Поверните переключатель воздушной заслонки в положение "ВЫКЛ".
 - ▶ Крышка топливного бака оборудована воздушным клапаном. Откройте вакуумный предохранительный клапан в верхней части крышки топливного бака «ВКЛ». Это позволит горючему поступать в карбюратор для работы двигателя. Если генератор не используется, воздушный клапан должен находиться в положении «ВЫКЛ».
 - ▶ Переключите 3-в-1 переключатель в положение "ЗАСЛОНКА ЗАКРЫТА".
 - ▶ Потяните за ручку стартера медленно до появления небольшого сопротивления, затем резко потяните, чтобы запустить двигатель. Осторожно отпустите шнур обратно. Никогда не позволяйте шнуру резко возвращаться.
 - ▶ После запуска двигателя медленно переключите в положение "ВКЛ".
- Позвольте генератору поработать несколько минут перед подключением электрических устройств. Это позволит генератору стабилизировать скорость и температуру.
- #### Остановка генератора
- ▶ Выключите все электрические устройства перед отключением их от генератора. Отключение работающих устройств может повредить генератор.

- ▶ Переключите воздушную заслонку в положение "ВЫКЛ".
- ▶ Закройте клапан вакуумного сброса на крышке топливного бака. Поверните против часовой стрелки в положение "ВЫКЛ".

ПРЕДУПРЕЖДЕНИЕ: Позвольте генератору остыть в течение нескольких минут перед прикосновением к горячим частям.

ПРЕДУПРЕЖДЕНИЕ: Никогда не храните генератор длительное время с топливом в баке.

Уход

Очистка генератора

Никогда не очищайте генератор во время работы! Не используйте воду для мытья и чистки генератора. Вода может попасть в рабочие части генератора и вызвать короткое замыкание или коррозию.

Всегда старайтесь использовать генератор в прохладном, сухом месте. Для очистки внешних поверхностей используйте ткань (ветошь). Перед каждым запуском двигателя удаляйте грязь и маслянистые отложения с ребер воздушного охлаждения, воздушного впускного клапана, рычагов, тяг и других деталей. Содержите генератор в чистоте, это позволит обеспечить оптимальное охлаждение двигателя.

Проверка уровня масла

Генератор оснащен автоматическим выключателем для защиты от работы с низким уровнем масла. Уровень масла следует проверять перед каждым использованием. Это критически важно для правильного запуска двигателя. Чтобы проверить уровень масла:

- ▶ Убедитесь, что генератор находится на ровной поверхности.
- ▶ Откройте крышку. Очистите вокруг отверстия для заливки масла. Достаньте щуп и протрите его чистой тряпкой. Вставьте щуп в отверстие для заливки масла. Достаньте щуп, чтобы проверить уровень масла. Добавьте масло при необходимости.
- ▶ Постепенно добавляйте масло и повторите шаг 2, пока уровень масла не достигнет верхнего края щупа (Рисунок 2). Не переполняйте картер.
- ▶ Установите обратно щуп и крышку.

Замена/добавление масла

Меняйте масло, когда двигатель теплый. Это обеспечит полный слив масла. Меняйте масло чаще при работе под большой

нагрузкой или при высоких температурах окружающей среды. Также необходимо слить масло из картера, если оно загрязнено.

Объем масла в двигателе генератора составляет 0,35 литра. Слейте масло из генератора согласно следующим шагам после снятия боковой панели.

- ▶ Поместите генератор на возвышенную платформу. Поместите контейнер рядом с ним для использованного масла. Поверните переключатель воздушной заслонки в положение "ВЫКЛ".
- ▶ Открутите щуп и отложите в сторону.
- ▶ Наклоните генератор так, чтобы использованное масло вытекло из двигателя в контейнер. Наклоняйте дальше, чтобы убедиться, что всё масло вышло из картера.
- ▶ Заполните картер свежим маслом и установите обратно щуп. Обязательно очистите любые загрязнения от пролитого масла перед закрытием боковой панели.

Заправка картера маслом

- ▶ Убедитесь, что генератор находится на ровной поверхности. Наклон генератора для помощи в заливке приведет к попаданию масла в области двигателя и вызовет повреждение. Держите генератор в горизонтальном положении!
- ▶ Удалите щуп с двигателя.
- ▶ Используя воронку или соответствующий дозатор, добавьте необходимое количество масла в картер. Двигатель оснащен датчиком давления масла и не запустится, если масла недостаточно.
- ▶ Установите обратно щуп.

Примечание: Никогда не сливайте использованное моторное масло в мусор или в канализацию. Пожалуйста, обратитесь в местный центр переработки или автосервис для утилизации масла.

Обслуживание воздушного фильтра

Регулярное обслуживание воздушного фильтра помогает поддерживать нормальный поток воздуха в карбюраторе. Периодически проверяйте, чтобы воздушный фильтр не был загрязнен.

- ▶ Снимите боковую панель.
- ▶ Удалите три винта и извлеките элемент воздушного фильтра.
- ▶ Проверьте и очистите воздушный фильтр. Если фильтр поврежден, замените его новым. Фильтр можно очистить мыльной водой и высушить перед ис-

пользованием. Маслить элемент фильтра не нужно.

- ▶ Протрите излишки масла в корпусе воздушного фильтра. Небольшое количество масла в элементе фильтра нормально и необходимо для нормальной работы двигателя.
- ▶ Установите обратно воздушный фильтр и боковую панель.

Обслуживание свечи зажигания

Каждые 100 часов работы двигателя, но не реже одного раза в год, проводите проверку состояния свечи зажигания в следующем порядке:

- ▶ Откройте крышку для обслуживания свечи.
- ▶ Очистите поверхность около свечи зажигания.
- ▶ Отсоедините высоковольтный провод.
- ▶ Выверните свечу с помощью шестигранного ключа, входящего в комплект поставки. Электроды свечи должны иметь светло-коричневый цвет.
- ▶ Замените свечу, если на керамическом изоляторе есть сколы, а также если электроды имеют неровности, нагар или прогорели.
- ▶ Очистите электроды мелкой наждачной бумагой до металла, проверьте и отрегулируйте зазор.
- ▶ Проверьте величину зазора между заземляющим и центральным электродами, используя специальный щуп. При необходимости установите зазор 0,6-0,7 мм.
- ▶ Установите свечу зажигания в двигатель и надежно затяните. Недостаточная затяжка свечи зажигания может привести к ее перегреву и повреждению двигателя. Новая свеча зажигания должна быть затянута свечным ключом на 1/2 оборота. Повторно установленная свеча зажигания должна быть затянута свечным ключом на 1/8-1/4 оборота.
- ▶ Присоедините высоковольтный провод.
- ▶ Закройте крышку для обслуживания свечи.

Техобслуживание и сервис

Техобслуживание и очистка

- ▶ Очистку генератора следует проводить только при выключенном и остывшем двигателе.
- ▶ Не используйте абразивные чистящие средства, содержащие спирт или едкие растворители, для очистки генератора.

- ▶ Разрешается использовать специальные щелочные чистящие средства, предназначенные для генераторов.
- ▶ Для очистки используйте влажную мягкую ткань.
- ▶ Не допускайте попадания воды внутрь генератора.

Обслуживание

- ▶ Ремонт вашего инструмента следует проводить только у квалифицированного персонала и только с использованием оригинальных запчастей. Это обеспечивает безопасность инструмента.
- ▶ Список авторизованных сервисных центров можно найти на официальном сайте P.I.T. по следующей ссылке: <https://pittools.ru/services/>

Хранение и транспортировка

Генератор в упаковке производителя можно транспортировать всеми видами внутреннего транспорта при температуре воздуха от -10 до +40°C и относительной влажности не более 80% (при температуре +25°C). Во время транспортировки необходимо исключить возможные удары и повреждения упаковки продукта в транспортном средстве.

Все компоненты, такие как генератор, инструкция по эксплуатации и т. д., следует хранить в сухом и проветриваемом месте, вдали от детей и от прямых солнечных лучей. Это обеспечит доступ ко всем частям и необходим

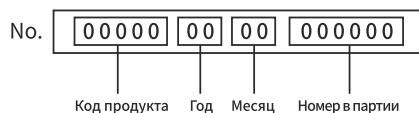
ВОЗМОЖНЫЕ НЕИСПРАВНОСТИ

Неисправность	Возможные причины	Решение
Двигатель не может запуситься	В баке нет топлива.	Проверьте уровень масла и залейте в бак свежий бензин.
	Запускается система автоматического контроля уровня масла.	Проверьте уровень масла и при необходимости нагрейте его.
	Генератор находится в наклоненном положении.	Установите генератор в горизонтальном положении.
	Попадание масла в камеру сгорания (из-за сильного наклона или падения генератора).	Очистите карбюратор и воздушный фильтр.
	Нет искры на свече.	Снимите свечу зажигания, проверьте ее состояние и замените.
	В карбюратор не поступает топливо: закрыт топливный кран и засорен фильтр карбюратора.	Очистить или установить новый фильтр.
Работа генератора нестабильна	загрязнение воздушного фильтра.	Очистить или установить новый фильтр.
	Низкие обороты двигателя и отказ регулятора скорости.	Установите номинальную частоту вращения двигателя в сервисном центре.
Падение напряжения под нагрузкой или отдельно	Генератор перегружен.	Уменьшите нагрузку генератора, отключив некоторое электрооборудование.
	Выход из строя стабилизатора напряжения.	Обратитесь в сервисный центр.
Перегрев генератора	Работа генераторов на высоте более 2000 метров.	Если необходимо работать в аналогичных условиях, настройте генератор в сервисном центре.
	Температура окружающей среды слишком высокая.	Генератор рассчитан на работу при температуре окружающей среды не выше +40°C.

Утилизация

Инструмент и комплектующие изготовлены из материалов и веществ, безвредных для окружающей среды и здоровья человека. Однако во избежание негативного воздействия на окружающую среду, когда инструмент был использован (истек срок годности) или больше не пригоден для дальнейшего использования, инструмент должен быть утилизирован на станции переработки металлолома и пластика.

Утилизация инструментов и комплектующих предполагает их полную разборку и сортировку по видам материалов и веществ для последующей переплавки или вторичной утилизации. Инструмент следует утилизировать, не причиняя вреда окружающей среде.

Расшифровка даты изготовления изделия

Дата изготовления изделия зашифрована в серийном номере, напечатанном на корпусе инструмента. Первые 2 цифры обозначают год выпуска, следующие 2 цифры – месяц.

УСЛОВИЯ ГАРАНТИЙНОГО ОБСЛУЖИВАНИЯ

1. Настоящее гарантийное свидетельство является единственным документом, подтверждающим ваше право на бесплатное гарантийное обслуживание. Без предъявления данного свидетельства претензии не принимаются. В случае утери или порчи гарантийное свидетельство не восстанавливается.

2. Гарантийный срок указан в гарантийном сертификате. В течение гарантийного срока сервисная служба бесплатно устраняет производственные дефекты и производит замену деталей, вышедших из строя по вине изготовителя. На период гарантийного ремонта эквивалентный исправный инструмент не предоставляется. Заменяемые детали переходят в собственность служб сервиса.

Компания Р.І.Т. не несет ответственности за вред, который может быть причинен при работе с электроинструментом.

3. В гарантийный ремонт инструмент при-

нимается в чистом виде, при обязательном наличии надлежащим образом оформленных документов: настоящего гарантийного свидетельства, гарантийного талона, с полностью заполненными полями, штампом торговой организации и подписью покупателя.

4. Гарантийный ремонт не производится в следующих случаях:

- при отсутствии гарантийного свидетельства и гарантийного талона или неправильном их оформлении;
- степень износа диаметра коллектора ротора двигателя превышает 0,4 мм (за исключением инструментов с бесщеточным двигателем);
- при совместном выходе из строя якоря и статора электродвигателя, при обугливание или оплавлении первичной обмотки трансформатора сварочного аппарата, зарядного или пуско-зарядного устройства, при оплавлении внутренних деталей, прожиге электронных плат и других случаях;
- если гарантийное свидетельство или талон не принадлежат данному электроинструменту или не соответствует установленному поставщиком образцу;
- по истечении срока гарантии;
- при попытках самостоятельного вскрытия или ремонта электроинструмента вне гарантийной мастерской;
- внесения конструктивных изменений и смазки инструмента в гарантийный период, о чем свидетельствуют, например, заломы на шлицевых частях крепежа корпусных деталей;
- при использовании электроинструмента в производственных или иных целях, связанных с получением прибыли, а также при возникновении неисправностей связанных с нестабильностью параметров электросети, превышающих нормы, установленные ГОСТ;
- при неправильной эксплуатации, использованию электроинструмента не по назначению, указанному в инструкции по эксплуатации, узановки на электроинструмент не предназначенных заводом-изготовителем насадок, дополнительных приспособлений и т.п.;
- при механических повреждениях корпуса, сетевого шнура и при повреждениях, вызванных воздействиями агрессивных средств и высоких и низких температур, попадании инородных предметов в вентиляционные решетки электроинструмента,

а также при повреждениях, наступивших в результате неправильного хранения (коррозия металлических частей);

- при естественном износе деталей электроинструмента, в результате длительной эксплуатации (определяется по признакам полной или частичной выработки ресурса, сильного загрязнения, ржавчины снаружи и внутри электроинструмента, отработанной смазки в редукторе);

- при возникновении повреждений в связи с несоблюдением предусмотренных инструкцией условий эксплуатации (см. главу «Указание по технике безопасности» в инструкции).

- при повреждении изделия вследствие несоблюдения правил хранения и транспортировки;

- при сильном внутреннем загрязнении инструмента;

- при работе с перегрузкой бензоинструмента, изменении цвета чашки и муфты сцепления в результате перегрева;

- при обрыве шнура стартера при условии исправности остальных деталей пускового устройства;

- на все виды работ, выполняемые при периодическом техническом обслуживании (регулировки, чистке, замене расходных материалов и др.);

- на неисправности, возникшие в результате нарушения требований и правил эксплуатации, установленным паспортом изделия. Например, перегрев изделия, несоблюдение требований к составу и качеству топливной смеси, повлекших выход из строя поршневой группы (безусловным признаком этого является залегание поршневого кольца и/или наличие царапин и потертостей на внутренней поверхности цилиндра и поверхности поршня, разрушение или оплавление опорных подшипников шатуна и поршневого пальца);

- на внешние и внутренние загрязнения, царапины, трещины, повреждения, возникшие в процессе эксплуатации или транспортировки.

- при работе электроинструментом с перегрузкой и заклиниванием оснастки, о чем свидетельствуют задиры, изменение цвета от температуры упорных и прижимных шайб, зажимного патрона, выхода из строя редуктора.

Профилактическое обслуживание электроинструмента (чистка, промывка, смазка, замена пыльников, поршневых и уплот-

нительных колец) в гарантийный период является платной услугой.

Срок службы изделия составляет 3 года.

Срок хранения – 2 года. Не рекомендуется к эксплуатации по истечении 2 лет хранения с даты изготовления, которая указана в серийном номере на этикетке инструмента, без предварительной проверки (определение даты выпуска смотрите ранее в Руководстве пользователя).

О возможных нарушениях, изложенных выше условий гарантийного обслуживания, владельцу сообщается после проведения диагностики в сервисном центре. Владелец инструмента доверяет проведение диагностики в сервисном центре в свое отсутствие.

Запрещается эксплуатация электроинструмента при проявлении признаков повышенного нагрева, искрения, а также шума в редукторной части. Для выяснения причин неисправности покупателю следует обратиться в гарантийную мастерскую.

Неисправности, вызванные несвоевременной заменой угольных щеток двигателя, устраняются за счет покупателя.

5.Гарантия не распространяется на:

- сменные принадлежности (аксессуары и оснастка), например: аккумуляторы, диски, ножи, сверла, буры, патроны, цепи, звездочки, цанговые зажимы, шины, элементы натяжения и крепления, головки триммеров, подошвы шлифовальных и ленточных машин, фильтры, головки шестигранные сменные насадки и т.п.

- быстроизнашивающиеся детали, например: угольные щетки, приводные ремни, сальники, защитные кожухи, направляющие ролики, направляющие, резиновые уплотнения, подшипники, зубчатые ремни и колеса, стволы, ленты тормоза, храповики и тросы стартеров, поршневые кольца и т.п.

Замена их в течение гарантийного срока является платной услугой.

- шнуры питания, в случае повреждения изоляции. В данном случае потребитель должен быть уведомлен и ремонт (услуга платная) должен быть выполнен после согласия потребителя. Если потребитель не согласен на замену, то в любом ремонте этого инструмента будет отказано. Факт отказа должен быть зафиксирован в гарантийном талоне или квитанции сервисного центра и подписан владельцем.

ГАРАНТИЙНОЕ СВИДЕТЕЛЬСТВО НА ИНСТРУМЕНТ P.I.T.

Наименование изделия _____

Серийный номер изделия □□□□□□□□□□

Серийный номер зарядного устройства □□□□□□□□□□

Дата продажи « ____ » _____

Наименование торговой организации _____

Уважаемый покупатель!



Благодарим Вас за покупку инструмента P.I.T. и надеемся, что Вы останетесь довольны своим выбором.

При необходимости обслуживания Вашего изделия обращайтесь в авторизованные сервисные центры P.I.T. Все сервисные центры представлены на сайте www.pittools.ru

Внимание!

При покупке требуйте у продавца проверки работоспособности инструмента и его комплектности, а также заполнения гарантийного свидетельства, гарантийного талона (графы «Заполняются продавцом») и простановки печати торговой организации в гарантийном свидетельстве и гарантийных талонах.

Гарантия

На основании данного гарантийного свидетельства компания P.I.T. гарантирует отсутствие дефектов производственного характера.

Если в течение гарантийного срока в Вашем изделии обнаружатся указанные дефекты, то специализированные сервисные центры P.I.T. бесплатно отремонтируют изделие и заменят дефектные запасные части.

Гарантийный срок на электроинструменты P.I.T. составляет 12 месяцев со дня продажи.

«С условиями гарантийного обслуживания ознакомлен(а). Работоспособность и комплектность изделия проверены в моем присутствии. Претензий к качеству и внешнему виду не имею».

Подпись покупателя _____ Фамилия (разборчиво)

Телефон _____

P.I.T. WARRANTY CARD

Name _____ Serial Number _____ Sale Date _____ 20__ Date of Receipt from Repair _____ 20__	P.I.T.		№ 1
	Name _____		
	Serial Number _____		
	Sale Date _____ 20__		Place of Seal
	(Filled out by a Seller)		
	WARRANTY REPAIR CARD		
	Date of Acceptance for Repair _____ 20__		
	Application for Repair _____		
	Customer _____		
	Phone (Address) _____		
Cause of Application _____			
Date of Receipt from Repair _____ 20__			
The Tool is checked in my presence _____			
(The Order shall be performed in a Service Center) (Signature)			

Name _____ Serial Number _____ Sale Date _____ 20__ Date of Receipt from Repair _____ 20__	P.I.T.		№ 2
	Name _____		
	Serial Number _____		
	Sale Date _____ 20__		Place of Seal
	(Filled out by a Seller)		
	WARRANTY REPAIR CARD		
	Date of Acceptance for Repair _____ 20__		
	Application for Repair _____		
	Customer _____		
	Phone (Address) _____		
Cause of Application _____			
Date of Receipt from Repair _____ 20__			
The Tool is checked in my presence _____			
(The Order shall be performed in a Service Center) (Signature)			

Name _____ Serial Number _____ Sale Date _____ 20__ Date of Receipt from Repair _____ 20__	P.I.T.		№ 3
	Name _____		
	Serial Number _____		
	Sale Date _____ 20__		Place of Seal
	(Filled out by a Seller)		
	WARRANTY REPAIR CARD		
	Date of Acceptance for Repair _____ 20__		
	Application for Repair _____		
	Customer _____		
	Phone (Address) _____		
Cause of Application _____			
Date of Receipt from Repair _____ 20__			
The Tool is checked in my presence _____			
(The Order shall be performed in a Service Center) (Signature)			

ГАРАНТИЙНЫЙ ТАЛОН P.I.T.

P.I.T.

Талон № 1

Наименование _____

Серийный номер _____

Дата продажи « ____ » ____ 20__

(Заполняется продавцом)

Место печати
или штампа

КАРТА ГАРАНТИЙНОГО РЕМОНА

Дата приема ремонт ____ 20__

Заявка на ремонт _____

Заказчик _____

Телефон (адрес) _____

Причина обращения _____

Дата получения от ремонта ____ 20__

Инструмент проверен в моем присутствии _____

(Заказ заполняется в Сервисном Центре) (Подпись)

Наименование _____
 Серийный номер ____ 20__
 Дата продажи ____ 20__
 Дата получения от ремонта ____ 20__

P.I.T.

Талон № 2

Наименование _____

Серийный номер _____

Дата продажи « ____ » ____ 20__

(Заполняется продавцом)

Место печати
или штампа

КАРТА ГАРАНТИЙНОГО РЕМОНА

Дата приема ремонт ____ 20__

Заявка на ремонт _____

Заказчик _____

Телефон (адрес) _____

Причина обращения _____

Дата получения от ремонта ____ 20__

Инструмент проверен в моем присутствии _____

(Заказ заполняется в Сервисном Центре) (Подпись)

Наименование _____
 Серийный номер ____ 20__
 Дата продажи ____ 20__
 Дата получения от ремонта ____ 20__

P.I.T.

Талон № 3

Наименование _____

Серийный номер _____

Дата продажи « ____ » ____ 20__

(Заполняется продавцом)

Место печати
или штампа

КАРТА ГАРАНТИЙНОГО РЕМОНА

Дата приема ремонт ____ 20__

Заявка на ремонт _____

Заказчик _____

Телефон (адрес) _____

Причина обращения _____

Дата получения от ремонта ____ 20__

Инструмент проверен в моем присутствии _____

(Заказ заполняется в Сервисном Центре) (Подпись)

Наименование _____
 Серийный номер ____ 20__
 Дата продажи ____ 20__
 Дата получения от ремонта ____ 20__



P.I.T.

Media account

 pit_global  PIT Global  YouTube PIT Global

 bod@pit-tools.com  www.pit-tools.com

Сделано в КНР / Made in China