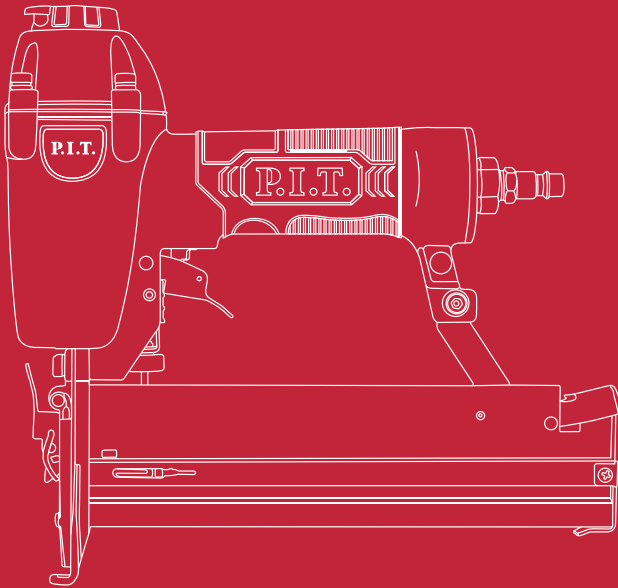


P.I.T.

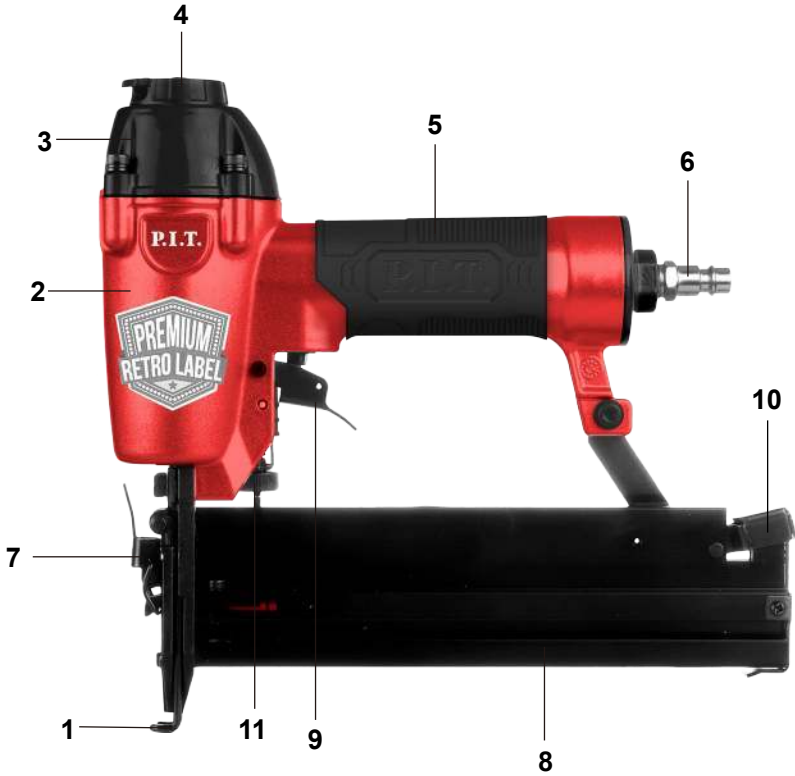
PNA50-A



PNEUMATIC STAPLER СТЕПЛЕР ПНЕВМАТИЧЕСКИЙ

Please read the instruction manual carefully before use!
Пожалуйста, внимательно прочтите инструкцию перед использованием!





English

Safety instructions

General safety instructions for the pneumatic stapler



Before using stapler, read the instruction manual carefully and consult a specialist if you have any questions. Keep this manual carefully in a place accessible for future reference. A user who has not studied the instructions should not be allowed to work with stapler. Only personnel who are experienced with equipment that produces and uses compressed air may be allowed to work. Compressed air is a source of potential danger, so care must be taken when using the compressor and pneumatic tools.

The use of compressed air requires care, caution and knowledge of elementary safety rules. The use of pneumatic tools by unqualified personnel is not permitted. Before using stapler, read the instruction manual carefully and consult a specialist if you have any questions. Keep this manual carefully in a place accessible for future reference. A user who has not studied the instructions should not be allowed to work with stapler. Only personnel who are experienced with equipment that produces and uses compressed air may be allowed to work. Compressed air is a source of potential danger, so care must be taken when using the compressor and pneumatic tools.

General instructions for safety when working with a stapler

- ▶ Individuals who are at least 18 years old (hereinafter referred to as the "user"), who have undergone a medical examination and are fit for health reasons to service complex technical equipment, are allowed to independently operate and maintain the stapler. The user must know and practice safe gun handling practices. To work with a stapler, only persons who have been instructed and trained in handling it should be allowed.
- ▶ Stapler is made in accordance with the state of the art, current safety standards and is reliable in operation. However, this does not exclude danger to the user and unauthorized persons, as well as material damage in the event of improper operation and use for purposes other than those intended.
- ▶ Stapler must only be operated from the compressed air supply. When doing so, make sure that the maximum admissible compressed air pressure specified in the technical data is never exceeded. Stapler must not be powered by explosive, flammable or harmful compressed gases.
- ▶ Use only consumables specified for this gun.
- ▶ Before repairing or servicing stapler, be sure to disconnect the compressed air supply hose.
- ▶ When working with a gun, ricochet of consumables (staples, nails) and material from fastened structures is possible. To prevent possible injury, the user and other workers must wear special goggles with frontal and side protection.
- ▶ When working with a gun, it is necessary to take measures to protect the organs of hearing and vision, since prolonged exposure to sound pressure and particles of the air stream can cause damage to health. It is recommended to wear ear protectors, goggles and a hard hat.
- ▶ **ATTENTION!** It is recommended to wear comfortable clothing and shoes and avoid loose or hemlined clothing that could catch on moving parts of the air tool or compressor. Long hair is recommended to be collected in a bun or hidden under a head-dress.
- ▶ Cloth gloves and ties must not be worn during operation, as they can cause serious injury if they get into the moving parts of the compressor or gun.
- ▶ Do not operate stapler near children or animals.
- ▶ Do not use stapler in the presence of explosive vapors and gases in the atmosphere.
- ▶ Do not use stapler and compressor without the safety devices provided by their design.
- ▶ Never move the compressor and gun without turning off the compressed air supply.
- ▶ Do not disassemble or modify stapler or accessories. Any repairs must only be carried out by qualified and trained personnel.
- ▶ Do not remove or modify parts of stapler, trigger, or pressure mechanism (safety). This may cause the instrument to malfunction.
- ▶ Do not operate the air tool if any part of stapler, trigger, pressure mechanism (safety) is defective, missing or not working

properly. Damaged parts, missing parts must be fixed before starting work.

- ▶ Use only original spare parts for repair and maintenance of the stapler. Third party parts may damage stapler.
- ▶ Use only the types of consumables recommended for this gun model. Use of other types of consumables may cause stapler to malfunction.
- ▶ Hold the stapler by the handle only. Never hold stapler by the body or by the trigger (trigger) to avoid injury.
- ▶ Always remember, stapler can be loaded!
- ▶ Don't play with a gun! Never point a gun at yourself or another person or animal.
- ▶ Handle stapler carefully on the edges of material or thin material. A staple shot may chip off a piece of material and ricochet.
- ▶ Do not shoot at nails or staples that have already been driven in, as this may spark or damage stapler.
- ▶ Use stapler only for its intended purpose. Do not shoot staples (nails) into the air or at materials that are too hard. Do not use stapler body as a hammer.
- ▶ Do not operate gun near flammable materials. A consumable (staple or nail) may cause a spark when fired.
- ▶ Do not place gun outlet against hands or other body parts. An accidental shot can severely injure your body parts.
- ▶ Do not look into a loaded gun and wear protective goggles when working with it!
- ▶ Do not load consumables (staples, nails) into stapler while the trigger is pressed or the safety mechanism is off.
- ▶ To get the best performance from your gun, use the proper hoses and fittings.
- ▶ Before switching on stapler, check the tightness of all connections and the condition of the compressed air supply hose.
- ▶ Disconnect compressed air supply to relieve residual pressure when work is completed, before repairs are made, or before loading consumables.
- ▶ Disconnect stapler only after depressurizing the compressed air.
- ▶ Keep your work area clean and tidy.
- ▶ Keep your stapler clean and in good condition.
- ▶ Operate stapler only in a stable position.
- ▶ Switch on the compressed air supply from the supply system only after connecting the hose to stapler.
- ▶ Do not disconnect the hose when compressed air is not blocked.
- ▶ At the end of the work, close the compressed air supply and disconnect stapler from the air line.
- ▶ Use stapler only for its intended purpose. The manufacturer declines all responsibility in case of damage to a person or material property due to non-observance of safety rules or use of stapler for other purposes.
- ▶ Do not operate stapler on stairs, scaffolding, or at heights.
- ▶ The air gun generates strong vibration during operation. Therefore, prolonged use and an uncomfortable body position may adversely affect the hands, fingers and joints of the operator. Stop using the stapler immediately if you feel any pain in your joints, numbness in your hands and tingling in your fingers, or any other discomfort. If these symptoms occur, stop work immediately and consult a doctor immediately.
- ▶ Before starting work, make sure that the pressure in the compressed air supply system corresponds to that required for this gun (see section "General technical data").

Product and service description



Read all warnings and safety instructions. Failure to follow the safety instructions and instructions may result in electric shock, fire and/or serious injury. Please observe the illustrations at the beginning of the instruction manual.

Intended use

The pneumatic stapler is designed for stapling and nailing cardboard, insulating material, fabrics, foil, leather and similar materials on the surface of wood or wood-like materials. An air compressor is required to operate the air stapler.

Components shown

The numbering of the presented components is made according to the image on the page with illustrations.

1. Contact safety mechanism
2. Housing
3. Cylinder head
4. Lid
5. Handle
6. Quick connector
7. Latch
8. Magazine
9. Trigger
10. Store latch
11. Driving depth adjuster

Technical data

Модель	PNA50-A
Operating pressure	90psi
Max pressure	120psi
Staple length	Brad Nails15-50mm Staples16-40mm
Number of staples in store	100pcs
Air flow	67.9L/min
Weight	1.6 kg

Contents of delivery

Pneumatic gun	1 pc
3mm hex wrench	1 pc
4mm hex wrench	1 pc
Lubricating oil container	1 pc
User manual	1 pc

Note

Technical errors and typographical errors may be made in the text and digital designations.

As the product is constantly being improved, P.I.T. reserves the right to make changes to the technical specifications and product contents indicated here without prior notice.

Connecting and working with stapler

Attention! Before connecting stapler to the air supply, make sure the compressor is turned off. Wear ear protection, protective goggles and sturdy non-slip shoes when handling stapler. Do not use gun without lubrication!

General instructions and gun connection

- ▶ Stapler must be connected to a compressed air supply system, consisting of: an air compressor, a pressure regulator, a lubricator, an air filter (moisture separator), pressure gauges, pipelines and other components and parts.
- ▶ To ensure reliable and safe operation of stapler during the entire service life, we recommend that you install a device for forced lubrication - a lubricator - into the compressed air supply system.
- ▶ The compressed air supplied to stapler must be dry and clean, with the right amount of oil.
- ▶ The maximum length of the compressed air hose to stapler must not exceed 10 m.
- ▶ The compressed air supply hose must have an appropriate section and provide the required performance. It is recommended to use hoses with a diameter of at

least 10 mm.

- ▶ Use only original hoses, accessories.
- ▶ In order to guarantee the effective operation of stapler, it is necessary that the maximum compressed air pressure does not exceed the set value.
- ▶ Compressed air pressure greater than the specified value can disable stapler or cause rapid wear of its parts.
- ▶ Compressed air pressure below the value specified in the characteristics reduces the performance of stapler.

Grease gun

- ▶ **Attention!** In order for stapler to remain operational for a long time, it must be regularly and in sufficient quantities lubricated with special oil for pneumatic tools.
- ▶ Stapler can be lubricated in any of the following ways:

- By manually introducing, before each use of stapler, from three to six drops of oil into the fitting hole;

- Using a lubricator installed in the compressed air supply system.

Loading stapler

- ▶ **Attention!** Disconnect the hose coupling from the fitting.
- ▶ Prepare the consumable (staple). Press the latch and slide the magazine back. Install a set of staples (or nails) onto the magazine clip. Make sure the staple pins are pointing down. Staple sets must be clean and free from mechanical damage.
- ▶ Press the latch, slide the magazine forward, and close the loaded stapler clip.

Working with a gun

- ▶ Wear ear protection, protective goggles and sturdy non-slip shoes when handling stapler. It is recommended to wear a helmet to protect your head.
- ▶ **Attention!** Remember, stapler can be loaded.
- ▶ **Attention!** To avoid injury or damage, do not press the contact safety mechanism (pressure contact area) on your hands or other parts of your body. This is dangerous and could result in injury if you accidentally pull the trigger.
- ▶ Pour a few drops of oil from the oiler into the fitting. If a lubricator is provided in the compressed air supply system, stapler will be lubricated automatically.
- ▶ Connect the hose coupler to stapler fitting.
- ▶ Open the valve and, holding stapler by the handle, apply compressed air.
- ▶ Use the pressure regulator with pressure

gauge to adjust the compressed air pressure for stapler.

- ▶ Holding stapler securely by the handle, press the contact safety mechanism against a test specimen, such as a wooden board. Pull the trigger and fire a shot. The brace will fly out of the contact safety mechanism hole and enter the wooden board.
- ▶ It must be ensured that the maximum compressed air pressure specified in stapler specifications is never exceeded.
- ▶ If the trial use of the stapler showed its normal technical condition, then you can start working with it.
- ▶ Upon completion of work, it is necessary to disconnect stapler from the compressed air supply system and discharge it (remove the set of staples from the magazine).

Clearing stuck staples

- ▶ Shut off the air supply to the system and disconnect the flexible hose from the tool.
- ▶ If the staple is stuck in the spout area, use pliers to remove it.
- ▶ If the staples is stuck in the store, then move the pusher in the store; remove the stuck staples; return the pusher to the reverse position.

Maintenance

Attention! When performing any maintenance operations, disconnect stapler from the compressed air supply. The stapler requires constant maintenance and careful care. This will be the key to the normal operation of stapler and eliminate possible injuries. To prevent fire, always dispose of wiping materials used when lubricating stapler to a fireproof area.

- ▶ To ensure long and trouble-free operation of stapler and your personal safety:
 - Before starting work, always check the general technical condition of stapler by visual inspection and test run;
 - Check the serviceability of the compressed air supply system;
 - Regularly check and clean the air filter of the air supply system.
 - Regularly lubricate all hose connections;
 - Daily drain the condensate from the filter and compressor;
 - Check the tightening of all threaded connections of stapler and, if necessary, tighten them;
 - Periodically and before connecting stapler to the air supply system, blow out the hose with a powerful pressure of compressed air.

- ▶ This procedure is important and necessary so that moisture does not get into stapler. Moisture can corrode the metal parts of stapler.
- ▶ If stapler is not automatically lubricated by the compressed air system lubricator, three to six drops of oil must be manually injected with an oil can into the fitting hole before each use of stapler.
- ▶ After finishing work with stapler, clean it from dust, dirt and moisture.
- ▶ Perform a complete cleaning of the compressed air supply system at least once a month.

Service

- ▶ Have your device repaired only by qualified personnel and only with original spare parts. This ensures the safety of the instrument.

A list of authorized service centers can be found on the official website of P.I.T. link: <https://pittools.ru/services/>

Storage and transportation

Store an unloaded stapler fully assembled.

- ▶ Keep stapler away from heat, direct sunlight, or high humidity.
- ▶ Before storing, disconnect stapler from the compressed air supply, discharge, clean and lubricate it.
- ▶ Stapler should be stored in a closed ventilated area in the absence of climatic factors (atmospheric precipitation, high humidity and dust content) at an air temperature not lower than +1 °C and not higher than +40 °C with a relative air humidity not higher than 80%

Products can be transported by any type of closed transport in the manufacturer's packaging or without it, while preserving the product from mechanical damage, precipitation.

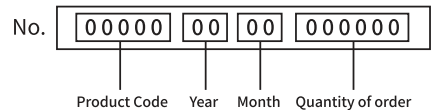
Dispose of waste



Damaged power tools, batteries, accessories and waste packaging materials must be recycled and reused in an environmentally friendly manner.

Do not throw power tools and accumulators / batteries into general household waste!

Product serial number interpretation serial number



The date of manufacture of the product is

encoded in the serial number printed on the body of the tool. The first 2 digits indicate the year of issue, the next 2 digits indicate the month.

TERMS OF WARRANTY SERVICE

To customers (users) of warranty service:

1. This warranty certificate is the only document that confirms your right to free warranty service. If this proof is not presented, no claims will be accepted. Warranty certificates cannot be recovered if lost or damaged.

2. It is required to provide a valid and legal document for purchasing the product. The document must have the name or seal of the sales company; at the same time, state the full model name of the purchased P.I.T. product, the serial number on the nameplate of the fuselage, and the date of purchase, and the required warranty. The whole machine and its accessories.

The warranty period:

1. The warranty period of the product is 12 months from the date of sale. During the warranty period, the service department will eliminate manufacturing defects free of charge and replace the parts that fail due to the manufacturer's fault. In warranty repair, an equivalent operable product is not provided. Replaceable parts become the property of the service provider.

2. The wear degree on the diameter of the motor rotor commutator is less than 0.4 mm (except for brushless motor tools), and the internal damage caused by the quality of the tool belongs to the warranty.

The following situations occur during the warranty period, which is not covered by the warranty:

1. In the absence of any valid legal documents (invoices) such as warranty certificates and warranty cards to prove the date of purchase.

2. Damage caused by natural wear and overload. (For example, motor rotor and stator failure caused by overload, scorching or melting of the primary winding of the welding machine transformer, charging or starting the charging device, melting of internal parts, burning of electronic circuit boards, etc.)

3. The casing and power cord are mechanically damaged, as well as damage caused by corrosive media and high and low temperature, foreign objects entering the ventilation network of the motor, and damage caused by improper storage (corrosion of metal parts);

4. Damage caused by improper carrying, transportation and storage by users.

5. Products that are opened, repaired, replaced or modified by users themselves.

6. Any damage caused by indiscriminate use, beyond the scope of use of the tool, and not in accordance with the instructions for use and maintenance. (see chapter "Safety Precautions" in the manual);

7. The damage caused by the following situations is not guaranteed due to improper use and non-quality problems:

(1) When the power tool is running at high speed, use the braking device to forcibly stop the rotation.

(2) Excessive pressure is applied to the tool during the use of the tool.

(3) Use the tool outside the scope of its purpose and capabilities.

(4) Damage caused by the tool working in a dusty environment for a long time without timely maintenance of the tool.

(5) Change the rotation direction of the work head before the tool stops completely.

(6) Shock the battery or charger and replace the plug of the charger without permission, causing damage to the battery or charger.

(7) Damage caused by two-stroke gasoline tools not being fueled in the correct proportions.

The warranty does not include:

1. Replacement of accessories (accessories and components) such as batteries, discs, blades, drills, chucks, chains, sprockets, collet clamps, guide rails, tension and fastening elements, dresser heads, grinders And belt sander base machine, hexagonal head, etc.;

2. Wearing parts, such as: carbon brushes, transmission belts, seals, protective covers, guide rollers, guide rails, rubber seals, bearings, toothed belts and wheels, shanks, brake belts, starter ratchets and ropes, piston rings Wait.

The above accessories are replaced with paid services during the warranty period;

Русский

Указания по технике безопасности Общие указания по технике безопасно- сти для степлера пневматического



Перед тем как использовать пистолет, внимательно прочитайте инструкцию по эксплуатации и проконсультируйтесь со специалистом в случае возникновения вопросов. Бережно храните данную инструкцию в месте, доступном для дальнейшего использования. Пользователь, не изучивший инструкцию, не должен допускаться к работе с пистолетом. К работе может допускаться только персонал, имеющий опыт работы с оборудованием, производящим и использующим сжатый воздух. Сжатый воздух является источником потенциальной опасности, поэтому необходимо внимательно использовать компрессор и пневмоинструмент.

Использование сжатого воздуха требует внимательности, осторожности и знания элементарных правил безопасности. Не разрешается использование пневмоинструментов неквалифицированным персоналом. Перед тем как использовать пистолет, внимательно прочитайте инструкцию по эксплуатации и проконсультируйтесь со специалистом в случае возникновения вопросов. Бережно храните данную инструкцию в месте, доступном для дальнейшего использования. Пользователь, не изучивший инструкцию, не должен допускаться к работе с пистолетом. К работе может допускаться только персонал, имеющий опыт работы с оборудованием, производящим и использующим сжатый воздух. Сжатый воздух является источником потенциальной опасности, поэтому необходимо внимательно использовать компрессор и пневмоинструмент.

Общие указания по обеспечению безопасности при работе с пистолетом

▶ К самостоятельной эксплуатации и обслуживанию пистолета допускаются лица не моложе 18 лет (далее в тексте «пользователь»), прошедшие медицинский осмотр и годные по состоянию здоровья для обслуживания сложного технического оборудования. Пользователь должен знать и применять безопасные методы эксплуатации пистолета. К работе с пистолетом необходимо допускать

только лиц, прошедших инструктаж и обучение в обращении с ним.

- ▶ Пистолет выполнен в соответствии с современным уровнем техники, действующими нормами по технике безопасности и отличается надежностью в эксплуатации. Это не исключает, однако, опасности для пользователя и посторонних лиц, а также нанесения материального ущерба в случае неквалифицированной эксплуатации и использования не по назначению.
- ▶ Пистолет должен работать только от системы подачи сжатого воздуха. При этом необходимо следить за тем, чтобы никогда не превышалось максимальное допустимое давление сжатого воздуха, указанное в его технических характеристиках. Пистолет не должен работать от взрывоопасных, горючих или вредных для здоровья сжатых газов.
- ▶ Используйте только предназначенные для данного пистолета расходные материалы.
- ▶ Перед ремонтом и техническим обслуживанием пистолета обязательно отсоединяйте шланг подачи сжатого воздуха.
- ▶ При работе с пистолетом возможен рикошет расходных материалов (скоб, гвоздей) и материала от скрепляемых конструкций. Для предотвращения возможных травм пользователь и остальные рабочие должны быть в специальных очках с фронтальной и боковой защитой.
- ▶ Во время работы с пистолетом необходимо принимать меры по защите органов слуха и зрения, так как продолжительное воздействие звукового давления и частиц воздушного потока может принести ущерб здоровью. Рекомендуется надевать защитные наушники, очки и каску.
- ▶ **ВНИМАНИЕ!** Рекомендуется надевать удобную одежду и обувь и избегать просторных одежд или одежд с подолом, которые могут зацепиться за подвижные части пневматического инструмента или компрессора. Длинные волосы рекомендуется собрать в пучок или спрятать под головной убор.
- ▶ При работе запрещается надевать матерчатые перчатки и галстуки, так как они могут явиться причиной серьезных травм при их попадании в движущиеся части компрессора или пистолета.

- ▶ Нельзя работать с пистолетом вблизи детей и животных.
- ▶ Нельзя использовать пистолет при наличии в атмосфере взрывоопасных паров и газов.
- ▶ Не используйте пистолет и компрессор без предусмотренных их конструкций устройств безопасности.
- ▶ Никогда не перемещайте компрессор и пистолет, не отключив подачу сжатого воздуха.
- ▶ Не разбирайте и не изменяйте конструкцию пистолета и принадлежностей. Любой ремонт должен выполняться только квалифицированным и обученным персоналом.
- ▶ Не удаляйте, не изменяйте детали пистолета, спускового курка или механизма прижатия (предохранителя). Это может привести к неправильной работе инструмента.
- ▶ Не работайте с пневмоинструментом, если какая-либо деталь пистолета, спускового курка, механизма прижатия (предохранителя) неисправна, отсутствует или работает некорректно. Поврежденные детали, отсутствующие части должны быть исправлены перед началом работы.
- ▶ Используйте только оригинальные запчасти для ремонта и обслуживания пистолета. Запчасти сторонних производителей могут привести к поломке пистолета.
- ▶ Используйте только рекомендуемые для данной модели пистолета типы расходных материалов. Использование других типов расходных материалов может привести к неправильной работе пистолета.
- ▶ Держите пистолет только за рукоятку. Никогда не держите пистолет за корпус или за спусковой рычаг (курок) во избежание травм.
- ▶ Всегда помните, пистолет может быть заряжен!
- ▶ Не играйте с пистолетом! Никогда не направляете пистолет на себя или другого человека, или животное.
- ▶ Аккуратно работайте с пистолетом на краях материала или с тонким материалом. Выстрел скобы может отколоть кусок материала и срикошетить.
- ▶ Не стреляйте в уже забитые гвозди или скобы, это может вызвать искру или повредить пистолет.
- ▶ Используйте пистолет только по прямому назначению. Не стреляйте скобами (гвоздями) в воздух или в слишком твердые материалы. Не используйте корпус пистолета как молоток.
- ▶ Не работайте с пистолетом вблизи огнеопасных материалов. Расходный материал (скоба или гвоздь) при выстреле может вызвать искру.
- ▶ Не прислоняйте выходное отверстие пистолета к рукам и другим частям тела. Случайный выстрел может сильно поранить Ваши части тела.
- ▶ Не смотрите в заряженный пистолет и носите защитные противоударные очки при работе с ним!
- ▶ Не загружайте расходный материал (скобы, гвозди) в пистолет при нажатом курке или отключенном механизме защиты.
- ▶ Для получения максимальной производительности при работе с пистолетом используйте соответствующие шланги и соединительные части.
- ▶ Перед включением пистолета проверяйте плотность всех соединений и состояние шланга подачи сжатого воздуха.
- ▶ Отсоединяйте подачу сжатого воздуха для разгрузки остаточного давления по окончании работы, перед проведением ремонта или перед загрузкой расходного материала.
- ▶ Отсоединяйте пистолет только после сброса давления сжатого воздуха.
- ▶ Содержите рабочее место в чистоте и порядке.
- ▶ Содержите пистолет в чистоте и в исправном состоянии.
- ▶ Работайте с пистолетом только в устойчивом положении.
- ▶ Подачу сжатого воздуха из системы подачи включайте только после присоединения шланга к пистолету.
- ▶ Не отсоединяйте шланг при незакрытом доступе в него сжатого воздуха.
- ▶ По окончании работы закройте доступ сжатого воздуха и отсоедините пистолет от воздухопровода.
- ▶ Используйте пистолет только по его прямому назначению. Производитель снимает с себя всякую ответственность в случае ущерба, причиненного человеку или материальному имуществу по причинам несоблюдения правил безопасности или использования пистолета не по назначению.

- ▶ Не работайте с пистолетом на лестнице, строительных лесах, и на высоте.
- ▶ Пневматический пистолет при работе создает сильную вибрацию. Поэтому продолжительное его использование и неудобное положение тела могут оказать неблагоприятное воздействие на руки, пальцы и суставы оператора. Необходимо сразу же прекратить работу с пистолетом, если Вы чувствуете какую-либо боль в суставах, онемение рук и покалывание в пальцах или какие-либо другие недомогания. В случае проявления подобных симптомов следует сразу прекратить работу и незамедлительно обратиться к врачу.
- ▶ Перед началом работы необходимо убедиться, что давление в системе подачи сжатого воздуха соответствует требуемому для данного пистолета (см. раздел «Основные технические данные»).

Описание продукта и услуг



Прочтите все указания и инструкции по технике безопасности. Несоблюдение указаний по технике безопасности и инструкций может привести к поражению электрическим током, пожару и/или тяжелым травмам.

Пожалуйста, соблюдайте иллюстрации в начале руководства по эксплуатации.

Применение по назначению

Степлер пневматический предназначен для соединения скобами и крепления гвоздями картона, изоляционного материала, тканей, фольги, кожи и подобных материалов на поверхности древесины или материалов, подобных дереву. Для работы пневмостеплера требуется воздушный компрессор.

Изображенные составные части

Нумерация представленных компонентов выполнена по изображению на странице с иллюстрациями.

1. Контактный защитный механизм
2. Корпус
3. Головка цилиндра
4. Крышка
5. Рукоятка
6. Штуцер быстроразъемный
7. Защелка
8. Журнал
9. Курок
10. Защелка магазина
11. Регулятор глубины забивания

Технические характеристики

Модель	PNA50-A
Рабочее давление	90пси
Максимальное давление	120пси
Длина скобы	Брэд Нейлс 15-50мм Скобы 16-40мм
Количество скоб в магазине	100шт
Расход воздуха	67.9л/мин
Вес	1.6кг

Комплект поставки

Пневматический пистолет	1 шт
Шестигранный ключ на 3 мм	1 шт
Шестигранный ключ на 4 мм	1 шт
Емкость для смазочного масла	1 шт
Руководство пользователя	1 шт

Примечание

В тексте и цифровых обозначениях могут быть допущены технические ошибки и опечатки

Так как изделие постоянно совершенствуется, P.I.T. оставляет за собой право на внесение изменений в указанные здесь технические характеристики и комплектацию изделия без предварительного уведомления.

Подключение и работа с пистолетом

ВНИМАНИЕ! Перед подсоединением пистолета к системе подачи воздуха, убедитесь, что компрессор выключен. При работе с пистолетом надевайте защитные наушники, специальные защитные очки и прочную нескользящую обувь. Не используйте пистолет без смазки!

Общие указания и подключение пистолета

- ▶ Пистолет должен подсоединяться к системе подачи сжатого воздуха, состоящей из: воздушного компрессора, регулятора давления, лубрикатора, фильтра воздушного (влажностоотделителя), манометров, трубопроводов и других узлов и деталей.
- ▶ Для обеспечения надежной и безопасной эксплуатации пистолета в течение всего срока службы рекомендуем Вам обязательно установить в систему подачи сжатого воздуха устройство для принудительной смазки — лубрикатор.
- ▶ Необходимо, чтобы подаваемый в пи-

столет сжатый воздух был сухим и чистым, с нужным количеством масла.

- ▶ Максимальная длина шланга подачи сжатого воздуха до пистолета не должна превышать 10 м.
- ▶ Шланг подачи сжатого воздуха должен иметь соответствующее сечение и обеспечивать необходимую производительность. Рекомендуется применять шланги диаметром не менее 10 мм.
- ▶ Используйте только оригинальные шланги, аксессуары и принадлежности.
- ▶ Для того чтобы гарантировать эффективную работу пистолета, необходимо чтобы максимальное давление сжатого воздуха не превышало установленного значения.
- ▶ Давление сжатого воздуха больше указанной величины может вывести пистолет из строя или привести к быстрому износу его деталей.
- ▶ Давление сжатого воздуха ниже величины указанной в характеристиках снижает производительность пистолета.

Смазка пистолета

- ▶ **ВНИМАНИЕ!** Для того чтобы пистолет долгое время сохранял работоспособность, его необходимо регулярно и в достаточном количестве смазывать специальным маслом для пневматических инструментов.
- ▶ Смазку пистолета можно производить любым из следующих способов:
 - путем введения вручную, перед каждым использованием пистолета от трех до шести капель масла в отверстие штуцера;
 - с использованием лубрикатора установленного в систему подачи сжатого воздуха.

Зарядка пистолета

- ▶ **ВНИМАНИЕ!** Отсоедините муфту шланга от штуцера.
- ▶ Приготовьте расходный материал (скоба). Нажмите на защелку и сдвиньте магазин назад. Установите набор скоб (или гвоздей) на обойму магазина. Убедитесь, что входные стержни скоб направлены вниз. Наборы скоб должны быть чистыми и без механических повреждений.
- ▶ Нажмите на защелку, сдвиньте магазин вперед, и закройте заряженную обойму пистолета.

Работа с пистолетом

- ▶ При работе с пистолетом надевайте

защитные наушники, специальные защитные очки и прочную нескользящую обувь. Рекомендуется надевать каску для защиты головы.

- ▶ **ВНИМАНИЕ!** Помните, пистолет может быть заряжен.
 - ▶ **ВНИМАНИЕ!** Во избежание нанесения травм и повреждений не нажимайте контактный защитный механизм (контактную зону прижатия) на руки или другие части тела. Это опасно и может привести к травмам при случайном нажатии на курок.
 - ▶ Залейте несколько капель масла из масленки в штуцер. В случае если в системе подачи сжатого воздуха предусмотрен лубризатор, смазка пистолета будет осуществляться автоматически.
 - ▶ Подсоедините муфту шланга к штуцеру пистолета.
 - ▶ Откройте кран и, удерживая пистолет за рукоятку, подайте сжатый воздух.
 - ▶ С помощью регулятора давления с манометром отрегулируйте рабочее давление сжатого воздуха для пистолета.
 - ▶ Надежно удерживая пистолет за рукоятку, нажмите контактный защитный механизм на пробный образец, например деревянную доску. Нажмите на курок, и произведите выстрел. Скоба вылетит из отверстия контактный защитный механизма и войдет в деревянную доску.
 - ▶ Необходимо следить за тем, чтобы указанное в технических характеристиках пистолета максимальное значение давления сжатого воздуха никогда не превышалось.
 - ▶ Если пробное использование пистолета показал его нормальное техническое состояние, то можно приступать к работе с ним.
 - ▶ По окончании работы необходимо отключить пистолет от системы подачи сжатого воздуха, и разрядить его (вынуть набор скоб из магазина).
- #### Очистка инструмента от застрявших скоб
- ▶ Перекройте подачу воздуха в системе и отсоедините гибкий шланг от инструмента.
 - ▶ Если скоба застряла в области носика, то для ее удаления воспользуйтесь плоскогубцами.
 - ▶ Если скоба застряла в магазине, то отодвиньте толкатель в магазине; уда-

лите застрявшую скобу; верните толкатель в обратное положение.

Техническое обслуживание

ВНИМАНИЕ! При выполнении любых операций по техническому обслуживанию отсоедините пистолет от системы подачи сжатого воздуха. Пистолет требует постоянного технического обслуживания и внимательного ухода за ним. Это будет залогом нормальной работы пистолета и исключит возможный травматизм. Для предотвращения пожара всегда удаляйте использованные при смазке пистолета обтирочные материалы в пожаробезопасное место.

► Для обеспечения длительной и безаварийной работы пистолета и Вашей личной безопасности:

— Перед началом работы всегда проверяйте общее техническое состояние пистолета путем визуального осмотра и пробного пуска;

— Проверяйте исправность системы подачи сжатого воздуха;

— Регулярно проверяйте и прочищайте фильтр воздушный системы подачи воздуха.

— Регулярно смазывайте все соединения шлангов;

— Ежедневно сливайте конденсат из фильтра и компрессора;

— Проверяйте затяжку всех резьбовых соединений пистолета и при необходимости затягивайте их;

— Периодически и перед присоединением пистолета к системе подачи воздуха продувайте шланг мощным напором сжатого воздуха. Это процедура важна и необходима для того, чтобы в пистолет не попала влага. Влага может привести к коррозии металлических деталей пистолета.

► Если пистолет не смазывается автоматически с помощью лубрикатора системы подачи сжатого воздуха, необходимо вручную перед каждым использованием пистолета вводить с помощью масленки от трех до шести капель масла в отверстие штуцера.

► После окончания работы с пистолетом очищайте его от пыли, грязи и влаги.

► Не реже одного раза в месяц выполняйте полную очистку системы подачи сжатого воздуха.

Сервис

► Ремонт Вашего электроинструмента поручайте только квалифицированному персоналу и только с применением оригинальных запасных частей. Этим обеспечивается безопасность электроинструмента.

Список авторизованных сервисных центров можно посмотреть на официальном сайте P.I.T. по ссылке: <https://pittools.ru/servises/>

Хранение и транспортировка

Храните разряженный пистолет в собранном виде.

► Не допускайте нагрева пистолета, воздействия прямых солнечных лучей или повышенной влажности.

► Перед постановкой на хранение отсоедините пистолет от системы подачи сжатого воздуха, разрядите, очистите и смажьте его.

► Хранить пистолет следует в закрытом вентилируемом помещении при отсутствии воздействия климатических факторов (атмосферные осадки, повышенная влажность и запыленность воздуха) при температуре воздуха не ниже +1 °C и не выше +40°С с относительной влажностью воздуха не выше 80 %

Транспортировать продукцию можно любым видом закрытого транспорта в упаковке производителя или без нее, с сохранением изделия от механических повреждений, атмосферных осадков.

Утилизация



Отслужившие свой срок электроинструменты, принадлежности и упаковку следует сдавать на экологически чистую переработку отходов.

Утилизируйте электроинструмент отдельно от бытового мусора!

Расшифровка Даты Изготовления Изделия

No.	00000	00	00	000000
	Код продукта	Год	Месяц	Номер в партии

Дата изготовления изделия зашифрована в серийном номере, напечатанном на корпусе инструмента. Первые 2 цифры обозначают год выпуска, следующие 2 цифры – месяц.

УСЛОВИЯ ГАРАНТИЙНОГО ОБСЛУЖИВАНИЯ

1. Настоящее гарантийное свидетельство

является единственным документом, подтверждающим ваше право на бесплатное гарантийное обслуживание. Без предъявления данного свидетельства претензии не принимаются. В случае утери или порчи гарантийное свидетельство не восстанавливается.

2. Гарантийный срок указан в гарантийном сертификате. В течение гарантийного срока сервисная служба бесплатно устраняет производственные дефекты и производит замену деталей, вышедших из строя по вине изготовителя. На период гарантийного ремонта эквивалентный исправный инструмент не предоставляется. Заменяемые детали переходят в собственность служб сервиса.

Компания P.I.T. не несет ответственности за вред, который может быть причинен при работе с электроинструментом.

3. В гарантийный ремонт инструмент принимается в чистом виде, при обязательном наличии надлежащим образом оформленных документов: настоящего гарантийного свидетельства, гарантийного талона, с полностью заполненными полями, штампом торговой организации и подписью покупателя.

4. Гарантийный ремонт не производится в следующих случаях:

- при отсутствии гарантийного свидетельства и гарантийного талона или неправильном их оформлении;
- степень износа диаметра коллектора ротора двигателя превышает 0,4 мм (за исключением инструментов с бесщеточным двигателем);
- при совместном выходе из строя якоря и статора электродвигателя, при обугливании или оплавлении первичной обмотки трансформатора сварочного аппарата, зарядного или пуско-зарядного устройства, при оплавлении внутренних деталей, прожиге электронных плат и других случаях;
- если гарантийное свидетельство или талон не принадлежат данному электроинструменту или не соответствует установленному поставщиком образцу;
- по истечении срока гарантии;
- при попытках самостоятельного вскрытия или ремонта электроинструмента вне гарантийной мастерской;
- внесения конструктивных изменений и смазки инструмента в гарантийный период, о чем свидетельствуют, например, заломы на шлицевых частях крепежа корпусных

деталей;

- при использовании электроинструмента в производственных или иных целях, связанных с получением прибыли, а также при возникновении неисправностей связанных с нестабильностью параметров электросети, превышающих нормы, установленные ГОСТ;

- при неправильной эксплуатации, использованию электроинструмента не по назначению, указанному в инструкции по эксплуатации, установки на электроинструмент не предназначенных заводом-изготовителем насадок, дополнительных приспособлений и т.п.;

- при механических повреждениях корпуса, сетевого шнура и при повреждениях, вызванных воздействиями агрессивных средств и высоких и низких температур, попадании инородных предметов в вентиляционные решетки электроинструмента, а также при повреждении, наступивших в результате неправильного хранения (коррозия металлических частей);

- при естественном износе деталей электроинструмента, в результате длительной эксплуатации (определяется по признакам полной или частичной выработки ресурса, сильного загрязнения, ржавчины снаружи и внутри электроинструмента, отработанной смазки в редукторе);

- при возникновении повреждений в связи с несоблюдением предусмотренных инструкцией условий эксплуатации (см. главу «Указание по технике безопасности» в инструкции).

- при повреждении изделия вследствие несоблюдения правил хранения и транспортировки;

- при сильном внутреннем загрязнении инструмента;

- при работе с перегрузкой бензоинструмента, изменении цвета чашки и муфты сцепления в результате перегрева;

- при обрыве шнура стартера при условии исправности остальных деталей пускового устройства;

- на все виды работ, выполняемые при периодическом техническом обслуживании (регулировки, чистке, замене расходных материалов и др.);

- на неисправности, возникшие в результате нарушения требований и правил эксплуатации, установленным паспортом изделия. Например, перегрев изделия, несоблюдение требований к составу и ка-

честву топливной смеси, повлекших выход из строя поршневой группы (безусловным признаком этого является залегание поршневого кольца и/или наличие царапин и потертостей на внутренней поверхности цилиндра и поверхности поршня, разрушение или оплавление опорных подшипников шатуна и поршневого пальца);

- на внешние и внутренние загрязнения, царапины, трещины, повреждения, возникшие в процессе эксплуатации или транспортировки.

- при работе электроинструментом с перегрузкой и заклиниванием оснастки, о чем свидетельствуют задиры, изменение цвета от температуры упорных и прижимных шайб, зажимного патрона, выхода из строя редуктора.

Профилактическое обслуживание электроинструмента (чистка, промывка, смазка, замена пыльников, поршневых и уплотнительных колец) в гарантийный период является платной услугой.

Срок службы изделия составляет 3 года.

Срок хранения – 2 года. Не рекомендуется к эксплуатации по истечении 2 лет хранения с даты изготовления, которая указана в серийном номере на этикетке инструмента, без предварительной проверки (определение даты выпуска смотрите ранее в Руководстве пользователя).

О возможных нарушениях, изложенных выше условий гарантийного обслуживания, владельцу сообщается после проведения диагностики в сервисном центре. Владелец инструмента доверяет проведение диагностики в сервисном центре в свое отсутствие.

Запрещается эксплуатация электроинструмента при проявлении признаков повышенного нагрева, искрения, а также шума в редукторной части. Для выяснения причин неисправности покупателю следует обратиться в гарантийную мастерскую.

Неисправности, вызванные несвоевременной заменой угольных щеток двигателя, устраняются за счет покупателя.

5.Гарантия не распространяется на:

- сменные принадлежности (аксессуары и оснастка), например: аккумуляторы, диски, ножи, сверла, буры, патроны, цепи, звездочки, цанговые зажимы, шины, элементы натяжения и крепления, головки триммеров, подошвы шлифовальных и ленточных машин, фильтры, головки шестигранные сменные насадки и т.п.

- быстроизнашивающиеся детали, например: угольные щетки, приводные ремни, сальники, защитные кожухи, направляющие ролики, направляющие, резиновые уплотнения, подшипники, зубчатые ремни и колеса, контактный защитный механизмы, ленты тормоза, храповики и тросы стартеров, поршневые кольца и т.п.

Замена их в течение гарантийного срока является платной услугой.

- шнуры питания, в случае повреждения изоляции. В данном случае потребитель должен быть уведомлен и ремонт (услуга платная) должен быть выполнен после согласия потребителя. Если потребитель не согласен на замену, то в любом ремонте этого инструмента будет отказано. Факт отказа должен быть зафиксирован в гарантийном талоне или квитанции сервисного центра и подписан владельцем.

ГАРАНТИЙНОЕ СВИДЕТЕЛЬСТВО НА ИНСТРУМЕНТ P.I.T.

Наименование изделия _____

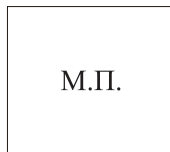
Серийный номер изделия □□□□□□□□□□

Серийный номер зарядного устройства □□□□□□□□□□

Дата продажи « ____ » _____

Наименование торговой организации _____

Уважаемый покупатель!



Благодарим Вас за покупку инструмента P.I.T. и надеемся, что Вы останетесь довольны своим выбором.

При необходимости обслуживания Вашего изделия обращайтесь в авторизованные сервисные центры P.I.T. Все сервисные центры представлены на сайте www.pittools.ru

Внимание!

При покупке требуйте у продавца проверки работоспособности инструмента и его комплектности, а также заполнения гарантийного свидетельства, гарантийного талона (графы «Заполняются продавцом») и простановки печати торговой организации в гарантийном свидетельстве и гарантийных талонах.

Гарантия

На основании данного гарантийного свидетельства компания P.I.T. гарантирует отсутствие дефектов производственного характера.

Если в течение гарантийного срока в Вашем изделии обнаружатся указанные дефекты, то специализированные сервисные центры P.I.T. бесплатно отремонтируют изделие и заменят дефектные запасные части.

Гарантийный срок на электроинструменты P.I.T. составляет 12 месяцев со дня продажи.

«С условиями гарантийного обслуживания ознакомлен(а). Работоспособность и комплектность изделия проверены в моем присутствии. Претензий к качеству и внешнему виду не имею».

Подпись покупателя _____ Фамилия (разборчиво)

Телефон _____

P.I.T. WARRANTY CARD

Name _____ Serial Number _____ Sale Date _____ 20__ Date of Receipt from Repair _____ 20__	P.I.T.	№ 1
	Name _____	
	Serial Number _____	
	Sale Date _____ 20__	
	Place of Seal	
	(Filled out by a Seller)	
	WARRANTY REPAIR CARD	
	Date of Acceptance for Repair _____ 20__	
	Application for Repair _____	
	Customer _____	
Phone (Address) _____		
Cause of Application _____		
Date of Receipt from Repair _____ 20__		
The Tool is checked in my presence _____		
(The Order shall be performed in a Service Center) (Signature)		

Name _____ Serial Number _____ Sale Date _____ 20__ Date of Receipt from Repair _____ 20__	P.I.T.	№ 2
	Name _____	
	Serial Number _____	
	Sale Date _____ 20__	
	Place of Seal	
	(Filled out by a Seller)	
	WARRANTY REPAIR CARD	
	Date of Acceptance for Repair _____ 20__	
	Application for Repair _____	
	Customer _____	
Phone (Address) _____		
Cause of Application _____		
Date of Receipt from Repair _____ 20__		
The Tool is checked in my presence _____		
(The Order shall be performed in a Service Center) (Signature)		

Name _____ Serial Number _____ Sale Date _____ 20__ Date of Receipt from Repair _____ 20__	P.I.T.	№ 3
	Name _____	
	Serial Number _____	
	Sale Date _____ 20__	
	Place of Seal	
	(Filled out by a Seller)	
	WARRANTY REPAIR CARD	
	Date of Acceptance for Repair _____ 20__	
	Application for Repair _____	
	Customer _____	
Phone (Address) _____		
Cause of Application _____		
Date of Receipt from Repair _____ 20__		
The Tool is checked in my presence _____		
(The Order shall be performed in a Service Center) (Signature)		

ГАРАНТИЙНЫЙ ТАЛОН P.I.T.

P.I.T.

Талон № 1

Наименование _____

Серийный номер _____

Дата продажи « ____ » ____ 20__

(Заполняется продавцом)

Место печати
или штампа

КАРТА ГАРАНТИЙНОГО РЕМОНА

Дата приема ремонт ____ 20__

Заявка на ремонт _____

Заказчик _____

Телефон (адрес) _____

Причина обращения _____

Дата получения от ремонта ____ 20__

Инструмент проверен в моем присутствии _____

(Заказ заполняется в Сервисном Центре) (Подпись)

Наименование _____
 Серийный номер _____
 Дата продажи ____ 20__
 Дата получения от ремонта ____ 20__

P.I.T.

Талон № 2

Наименование _____

Серийный номер _____

Дата продажи « ____ » ____ 20__

(Заполняется продавцом)

Место печати
или штампа

КАРТА ГАРАНТИЙНОГО РЕМОНА

Дата приема ремонт ____ 20__

Заявка на ремонт _____

Заказчик _____

Телефон (адрес) _____

Причина обращения _____

Дата получения от ремонта ____ 20__

Инструмент проверен в моем присутствии _____

(Заказ заполняется в Сервисном Центре) (Подпись)

Наименование _____
 Серийный номер _____
 Дата продажи ____ 20__
 Дата получения от ремонта ____ 20__

P.I.T.

Талон № 3

Наименование _____

Серийный номер _____

Дата продажи « ____ » ____ 20__

(Заполняется продавцом)

Место печати
или штампа

КАРТА ГАРАНТИЙНОГО РЕМОНА

Дата приема ремонт ____ 20__

Заявка на ремонт _____

Заказчик _____

Телефон (адрес) _____

Причина обращения _____

Дата получения от ремонта ____ 20__

Инструмент проверен в моем присутствии _____

(Заказ заполняется в Сервисном Центре) (Подпись)

Наименование _____
 Серийный номер _____
 Дата продажи ____ 20__
 Дата получения от ремонта ____ 20__



P.I.T.

Media account



pit_global



PIT Global



YouTube PIT Global



+7 7073005064 +86 15305798923



bod@pit-tools.com



www.pit-tools.com/