



P.I.T.[®]

Progressive Innovational Technology



PRODUCT PASSPORT
USER'S MANUAL



ПАСПОРТ ИЗДЕЛИЯ
ИНСТРУКЦИЯ ПОЛЬЗОВАТЕЛЯ

BATTERY CHARGER ЗАРЯДНОЕ УСТРОЙСТВО



PZU10-C1
PZU20-C1
PZU30-C1

EAC

PROGRESSIVE INNOVATIONAL TECHNOLOGY

ПРОГРЕССИВНЫЕ ИННОВАЦИОННЫЕ ТЕХНОЛОГИИ



GENERAL SAFETY PRECAUTIONS

The product contains elements and components that are energized by electric mains. It is strictly forbidden to work with removed side covers.

To work with the device are allowed persons who have been trained, instructed and tested knowledge of electrical safety requirements. Always wear safety glasses and gloves when charging the battery! High risk of injury from contact with aggressive acid.

To prevent sparks from forming as a result of electrostatic discharge, never wear clothing made of synthetic materials when charging the battery.

Dangerous! Explosive gases-Avoid the formation of flames and sparks; ensure proper ventilation of the mechanic shop or room in which the battery is charged.

The charging device contains components such as a switch and fuse that can cause the formation of arcs and sparks. Ensure adequate ventilation in the mechanic shop or room.

The charging device is designed for lead-acid batteries 12V and 24V.

Never use the device to charge non-chargeable batteries or defective batteries.

The device is designed for indoor use. When using outdoors, protect the device from rain.

Do not place the charging device on a heated surface.

Make sure that the ventilation openings are not clogged.

Do not charge multiple batteries at the same time using a parallel coupling; it is possible to charge several batteries of the same voltage using a series coupling. Do not short-circuit the charging device terminals.

The power cord and charging leads must be in good condition.

Do not allow children near the battery and charging device. Dangerous! If there is a strong smell of gas, there is a high risk of explosion. Disconnect the charging device clips, ventilate the room immediately, and contact customer service to check the battery.

Use the cable only for its intended purpose. Do not carry the device by the cable and never pull the cable to unplug the plug from the socket. Protect the cable from heat, oil and sharp edges.

Correctly identify the polarity, "+" indicated by a red color "-" is indicated by a black color

Careful! The battery fluid is very corrosive. If acid gets on skin or clothing, rinse immediately contact with water (for 15 minutes) and consult a doctor if necessary.

In case of failure of the fuse on the side of the charging device indicator, replace it with a fuse with the same ampere load.

The clamps must always be clean and protected against corrosion.

This charging device is not suitable for maintenance free batteries.

Always unplug the device from the power supply before carrying out maintenance work.

Use acid-resistant protective gloves and goggles when connecting and charging the battery, as well as when pouring acid or top up with distilled water. The device must be repaired only by in specialized technical service centers.

Disconnect the power supply before connecting or disconnecting the battery.

First, connect the "-" of the charging device that is not connected to the travel carriage. The "+" is connected to the "+" of the battery, and then the power supply is turned on. When charging is complete, disconnect the charging device from the power supply. Then unfasten the travel carriage and anode connections.

Vehicle manufacturers recommend that the battery be disconnected from the vehicle's electrical system before charging.

A power surge can damage electronic components. Therefore, it is recommended to disconnect the battery from the system when charging.

WARNING: ensure adequate ventilation during charging to avoid the risks of explosive gases, fire and sparks.

INTENDED USE

Designed for charge of the vehicle lead-acid batteries.

The device can restore a fully discharged battery.

With the device, you can quickly charge a discharged battery to the extent that it is possible to startup the engine from the battery.

EXPLANATION OF P.I.T. TRADEMARK

P.I.T. Progressive Innovational Technology

Currently, 10 kinds of mechanical and electrical equipment are produced under the P.I.T. trademark.

In terms of sales, charging devices occupy one of the leading positions.

Each letter and number in the designation of the P.I.T. model has the meaning.

For example, **PZU10-C1**:

PZU – charging device

10 – charging current

C1 – modification series

DECRYPTING THE DATE OF PRODUCTION OF THE PRODUCT

Date of manufacture of the product is encrypted in the serial number printed on the tool body

The first 2 digits indicate the year of manufacture, the next 2 digits - month and the following two digits – day

No.

1	7	0	7	3	0	3	9	5
---	---	---	---	---	---	---	---	---

 year month day

PRODUCT SPECIFICATIONS

	PZU10-C1	PZU20-C1	PZU30-C1
Mains voltage	220V/50Hz	220V/50Hz	220V/50Hz
Discharge rate	250 W	450 W	700 W
Output voltage	6/12 V	12/24 V	12/24 V
Charging current (max)	5 A (6V) 8 A (12V)	8 A (12V) 12 A (24V)	15 A (12V) 20 A (24V)
Fuse rated current	15 A	20 A	30 A
Charging battery capacity	12-32 Ah (6V) 20-58 Ah (12V)	12-32 Ah (12V) 20-58 Ah (24V)	20-48 Ah (12V) 28-85 Ah (24V)
Weight	5.0 kg	5.5 kg	7.5 kg

STANDARD SET

- Charging device
- Operation manual

FUNCTIONAL CAPABILITIES AND FEATURES

Note: ■ – available □ – not available

MODEL	DOUBLE INSULATION	LED DISPLAY	VOLTAGE INDICATOR	PULSE CHARGE	OVERHEAT AND OVERLOAD PROTECTION
PZU10-C1	■	□	□	□	■
PZU20-C1	■	□	□	□	■
PZU30-C1	■	□	□	□	■

CHARGING DEVICE PHYSICAL FORM



1. Current meter
2. Fuse
3. Normal charging/fast charging current switch
4. Handle
5. Fuse
6. 12/24 V voltage switch (models PZU20-C1, PZU30-C1)
7. Cables with clamps
8. Power cord

RULES OF OPERATION

Charging

1) Remove the caps from the storage battery cells (if any), thereby allowing the resulting gases to escape. Check the battery acid level and add distilled water if necessary (battery acid level should be 10-15 mm above the plate level). To determine the battery charge level is possible by measuring with the density meter of the battery acid.

As a recommendation, you can focus on the following values of the battery acid density (kg/l at 20°C).

1.28 – a fully charged battery

1.21 – the battery is charged half

1.14 – the dead battery

Warning! When determining the battery acid density, be extremely careful, because the battery acid is an extremely aggressive acid!

2) Only when the power cord is disconnected from the mains (8) set the battery voltage switch (6) to 12/24V or 6/12V according to the rated battery voltage and switch readings.

3) Set the charging current with the switch (3) “normal charging/fast charging”.

4) Check the polarity on the battery terminals. If the symbols are invisible, remember that the positive pole is not attached to the car body.

Connect the red charging device clip to the plus terminal (+) and the black clip to the car body away from the battery and fuel line.

Attention! If the battery removed from the car is charging, connect the clip directly to the negative terminal (-) of the battery.

5) Turn on the charging device by switching the on/off control (if any) to the “ON” position and/or connecting the plug to the socket.

The current meter shows the battery charge current, when charging the battery, the current meter readings will slowly decrease to the minimum value according to the battery capacity and condition.

After charging the battery, the electrolyte may “come to a boil”. It is necessary to finish the charging process at the first signs of “boiling”, so as not to damage the battery.

Finish of charging

1. Turn off the power of the charging device by turning the on/off control (if any) to OFF and/or unplugging the power cord.

2. Disconnect the black clip from the car body or from the battery negative terminal.

3. Disconnect the red clip from the battery positive terminal (+).

4. Close the storage battery cells with special plugs.

5. Store the charging device in a dry place.

MAINTENANCE

Attention! During maintenance, the charging device must be disconnected from the mains. Maintenance is carried out to extend the service life of the charging device. Maintaining the charging device in good technical condition rests with its owner. With a frequency of once a year necessary preventive work, this includes:

- Inspection of the charging device and the cables connected to it in order to detect their damage;

- Dust removal;

- Check the performance of all controls and protection of the charging device.

Attention! The use of abrasive materials, synthetic detergents, and chemical solvents can damage the surface of the case and the controls of the charging device. Liquids or foreign objects entering the charging device may cause for the charging device malfunction.

TERMS OF WARRANTY SERVICE

1. This Warranty Certificate is the only document that confirms your right to free warranty service. Without presenting this certificate, no claims are accepted. In case of loss or damage, the warranty certificate is not restored.

2. The warranty period for the electric machine is 12 months from the date of sale, during the warranty period the service department eliminates manufacturing defects and replaces parts that have failed due to the fault of the manufacturer free of charge. In the warranty repair, an equivalent operable product is not provided. Replaceable parts become property of service providers.

P.I.T. is not liable for any damage that may be caused by operation of the electric machine.

3. Only clean tool accompanied with the following duly executed documents: this Warranty Certificate, Warranty Card, with all fields filled out, bearing the stamp of the trade organization and the signature of the buyer, shall be accepted for warranty repair.

4. Warranty repair is not performed in the following cases:

- in the absence of a Warranty Certificate and a Warranty Card or their incorrect execution;
- with failure of both a rotor and a stator of the electric engine, charring or melting of primary winding of the welding machine transformer, charging or starting-charging device, with internal parts melting, burn down of electronic circuit boards;
- if a Warranty Certificate or a Warranty Card does not correspond to this electric machine or to the form established by the supplier;
- upon expiration of the warranty period;
- at attempts of opening or repair of the electric machine outside the warranty workshop; making constructive changes and lubrication of the tool during the warranty period, as evidenced, for example, by the creases on the spline parts of the fasteners of non-rotational parts.
- when using electric tools for production or other purposes connected with making a profit, as well as in case of malfunctions related to instability of the power network parameters exceeding the norms established by GOST;
- in the events of improper operation (use the electric machine for other than intended purposes, attachments to the electric machine of attachments, accessories, etc. not provided by the manufacturer);
- with mechanical damage to the case, power cord and in case of damages caused by aggressive agents and high and low temperatures, ingress of foreign objects in the ventilation grids of the electric machine, as well as in case of damage resulting from improper storage (corrosion of metal parts);
- natural wear and tear on the parts of the electric machine, as a result of long-term operation (determined on the basis of the signs of full or partial depletion of the specified mean life, great contamination, presence of rust outside and inside the electric machine, waste lubricant in the gearbox);
- use of the tool the purposes for other than specified in the operating instructions.
- mechanical damages to the tool;
- in the event of damages due to non-observance of the operating conditions specified in the instruction (see chapter "Safety Precautions" of the Manual).

- damage to the product due to non-observance of the rules of storage and transportation.

Preventive maintenance of electric machines (cleaning, washing, lubrication, replacement of anthers, piston and sealing rings) during the warranty period is a paid service.

The service life of the product is determined by the manufacturer and is 2 years from the date of manufacture.

The owner is notified of any possible violations of the above terms of warranty service upon completion of diagnostics in the service center.

The owner of the tool entrusts the diagnostic procedure to be conducted in the service center in his absence.

Do not operate the electric machine when there are signs of excessive heat, sparking, or noise in the gearbox. To determine the cause of the malfunction, the buyer should contact the warranty service center.

Malfunctions caused by late replacement of carbon brushes of the engine are eliminated at the expense of the buyer.

5. The warranty does not cover:

- replacement accessories (accessories and components), for example: batteries, discs, blades, drill bits, borers, chucks, chains, sprockets, collet clamps, guide rails, tension and fastening elements, trimming device heads, base of grinding and belt sander machines, filters, etc.,
- fast wearing parts, for example: carbon brushes, drive belts, seals, protective covers, guiding rollers, guides, rubber seals, bearings, toothed belts and wheels, shanks, brake belts, starter ratchets and ropes, piston rings, etc. Their replacement during the warranty period is a paid service;
- power cords, in case of damage to the insulation, power cords are subject to mandatory replacement without the consent of the owner (paid service);
- tool case.

P.I.T. WARRANTY CERTIFICATE

Product Name _____

Place of seal _____

Product Number

Serial Number

Sale Date _____

Trade Organization Name _____

Dear customer!

Thank you for purchasing the P.I.T tool, and we hope that you will be satisfied with your choice. In the process of manufacturing the P.I.T tools pass multilevel quality control, if nevertheless your product will need maintenance, please contact the authorized P.I.T service centers.

Attention!

When buying, ask a seller to check the completeness and operability of the tool, to fill out the Warranty Certificate, the Warranty Card (the boxes shall be filled out by a seller) and to affix the seal of the trade organization in the Guarantee Certificate and the Warranty Card.

Warranty

By this Warranty Certificate, P.I.T. company guarantees the absence of defects of the production nature.

In the event any of the above defects are detected during the warranty period, the specialized P.I.T. service centers shall repair the product and replace the defective spare parts free of charge.

The warranty period for P.I.T. electric machines is 12 months from the date of sale.

“The warranty maintenance terms acknowledged and accepted. The operability and completeness of the product are checked in my presence. No claims on quality and appearance.”

Buyer's Signature _____ **Surname (legibly)** _____

Phone _____

Поздравляем Вас!

Вы выбрали электроинструмент компании P.I.T. Все наши технические разработки, опыт производства и постоянная модернизация инструментов делают электроинструмент P.I.T. надежным помощником в решении Ваших строительных задач.

Благодарим Вас за этот выбор!

ОБЩИЕ МЕРЫ БЕЗОПАСНОСТИ

Изделие содержит элементы и узлы, находящиеся под напряжением питающей сети. Категорически запрещается работать при снятых боковых обшивках.

К работе с аппаратом допускаются лица, прошедшие обучение, инструктаж и проверку знаний требований электробезопасности.

При зарядке аккумулятора обязательно надевайте защитные очки и перчатки! Высокий риск получения травм в результате контакта с агрессивной кислотой.

Чтобы предотвратить искрообразование в результате электростатического разряда, никогда не надевайте одежду из синтетических материалов при зарядке аккумулятора.

Опасно! Взрывоопасные газы – Не допускайте образования пламени и искр, обеспечьте надлежащую вентиляцию гаража или помещения, в котором заряжается аккумулятор.

В зарядном устройстве присутствуют компоненты, такие как выключатель и предохранитель, которые могут вызывать образование дуги и искр. Обеспечьте надлежащую вентиляцию в гараже или помещении.

Зарядное устройство предназначено для свинцово-кислотных аккумуляторов 12В и 24В.

Никогда не используйте устройство для зарядки не заряжаемых аккумуляторов или бракованных аккумуляторов.

Устройство предназначено для использования в помещении. При использовании вне помещения защитите устройство от дождя.

Не устанавливайте зарядное устройство на нагреваемую поверхность.

Следите за тем, чтобы не засорялись вентиляционные отверстия.

Не заряжайте несколько аккумуляторов одновременно используя параллельное соединение, возможно зарядка нескольких АКБ одинакового вольтажа используя последовательное соединение.

Не допускайте короткого замыкания в зажимах зарядного устройства.

Кабель питания и зарядные выводы должны быть в исправном состоянии.

Не допускайте нахождения детей рядом с аккумулятором и зарядным устройством. Опасно! При наличии сильного запаха газа существует высокий риск взрыва. Отсоедините зажимы зарядного устройства, немедленно проверьте помещение,

обратитесь в сервисную службу для проверки аккумулятора.

Используйте кабель исключительно по назначению. Не переносите устройство за кабель и никогда не тяните кабель, чтобы отключить штекер из розетки. Защитите кабель от воздействия тепла, масла и острых краев.

Правильно определяйте полярность, «+» обозначается красным цветом «-» обозначается черным цветом

Осторожно! Аккумуляторная жидкость очень едкая. При попадании кислоты на кожу или одежду немедленно промойте место попадания водой (в течение 15 минут) и обратитесь к врачу, при необходимости.

В случае неисправности предохранителя со стороны индикатора зарядного устройства, замените его на предохранитель с такой же амперной нагрузкой.

Зажимы должны быть всегда чистыми и защищены от коррозии.

Данное зарядное устройство не подходит для необслуживаемых аккумуляторов.

Перед проведением работ по техническому обслуживанию всегда отключайте устройство от сети питания.

Используйте кислотостойкие защитные перчатки и очки при подключении и зарядке аккумулятора, а также, когда заливаете кислоту или доливаете дистиллированную воду. Ремонт устройства должен выполняться только в специализированных сервисных центрах

Отключите источник питания, прежде чем подсоединять или отсоединять аккумулятор.

Сначала следует подключать «-» зарядного устройства, не подключенный к ходовой части. «+» подсоединяется к «+» аккумулятора, а затем включается источник питания. По окончании зарядки отсоедините зарядное устройство от сети питания. Затем отсоедините клемму «-» от клеммы аккумулятора или корпуса автомобиля и после отсоедините клемму «+».

Производители автомобилей рекомендуют перед зарядкой отсоединить аккумулятор от электрической системы транспортного средства

Скачок напряжения может повредить электронные компоненты. Поэтому рекомендуется при зарядке отсоединить аккумулятор от системы.

ПРЕДУПРЕЖДЕНИЕ: Обеспечьте надлежащую вентиляцию на время зарядки во избежание рисков, связанных со взрывоопасными газами, возгоранием и образованием искр.

НАЗНАЧЕНИЕ

Предназначены для зарядки автомобильных свинцово-кислотных аккумуляторов. Устройство может восстановить полностью разряженную аккумуляторную батарею. При помощи устройства можно быстро зарядить разряженный аккумулятор до степени, когда станет возможен запуск двигателя от аккумулятора.

РАСШИФРОВКА ТОРГОВОЙ МАРКИ P.I.T.

P.I.T.[®] Progressive Innovational Technology
 (Прогрессивные Инновационные Технологии)

В настоящее время под маркой P.I.T. выпускается механическое и электрическое оборудование 10 видов. По объему продаж зарядные устройства занимают одно из лидирующих мест. Каждая буква и цифра в обозначении модели P.I.T. имеет значение.

Например, **PZU10-C1**

PZU – зарядное устройство

10 – зарядный ток

C1 – серия модификации

РАСШИФРОВКА ДАТЫ ИЗГОТОВЛЕНИЯ ИЗДЕЛИЯ

Дата изготовления изделия зашифрована в серийном номере, напечатанном на корпусе инструмента. Первые 2 цифры обозначают год выпуска, следующие 2 цифры – месяц и следующие 2 цифры – день

№.

1	7	0	7	3	0	0	3	9	5
год		месяц		день					

ТЕХНИЧЕСКИЕ ХАРАКТЕРИСТИКИ

	PZU10-C1	PZU20-C1	PZU30-C1
	220В/50	220В/50	220В/50
Мощность	250 Вт	450 Вт	700 Вт
Выходное напряжение	6/12 В	12/24 В	12/24 В
Зарядный ток (макс.)	5 А (6В) 8 А (12В)	8 А (12В) 12 А (24В)	15 А (12В) 20 А (24В)
Ном. ток предохранителя	15 А	20 А	30 А
Емкость заряжаемой батареи	12-32 Ач (6В) 20-58 Ач (12В)	12-32 Ач (12В) 20-58 Ач (24В)	20-48 Ач (12В) 28-85 Ач (24В)
Вес	5,0 кг	5,5 кг	7,5 кг

КОМПЛЕКТ ПОСТАВКИ

- Зарядное устройство
- Инструкция по эксплуатации

ФУНКЦИОНАЛЬНЫЕ ВОЗМОЖНОСТИ И ОСОБЕННОСТИ

Примечание: есть отсутствует

Модель	Двойная изоляция	Светодиодный дисплей	Индикатор напряжения	Импульсный заряд	Защита от перегрева и перегрузки
PZU10-C1 PZU20-C1 PZU30-C1	<input checked="" type="checkbox"/>	<input type="checkbox"/>	<input type="checkbox"/>	<input type="checkbox"/>	<input checked="" type="checkbox"/>

ВНЕШНИЙ ВИД ЗАРЯДНОГО УСТРОЙСТВА



1. Амперметр
2. Предохранитель
3. Переключатель токов «нормальная зарядка/быстрая зарядка» – Переключатель режимов «нормальная зарядка/быстрая зарядка»
4. Ручка
5. Предохранитель
6. Переключатель напряжения 12/24 В (модели PZU20-C1, PZU30-C1)
7. Провода с зажимами
8. Сетевой электрокабель.

ПРАВИЛА ЭКСПЛУАТАЦИИ

Заряд

1) Снимите колпачки с банок аккумулятора (если они предусмотрены), тем самым, позволяя выйти образующимся газам. Проверьте уровень электролита и при необходимости добавьте дистиллированную воду (уровень электролита должен быть на 10–15мм выше уровня пластин). Определить уровень зарядки аккумулятора можно, измерив с помощью ареометра плотность электролита.

В качестве рекомендации можете ориентироваться на следующие значения

плотности электролита (кг/л при 20°C).

1,28 – полностью заряженная батарея

1,21 – батарея заряжена наполовину

1,14 – батарея разряжена

Предупреждение! При определении плотности электролита будьте предельно осторожны, т.к. электролит представляет собой крайне агрессивную кислоту!

2) Только при отсоединенном от сети силовом кабеле(8) установите переключатель напряжения батареи (6) на 12/24В или 6/12В согласно номинальному напряжению батареи и показаниям переключателей.

3) Установите ток зарядки при помощи переключателя (3) «нормальная зарядка/быстрая зарядка»

4) Проверьте полярность на клеммах батареи. Если символы неразличимы, помните, что положительный полюс не присоединяется к кузову автомобиля.

Подсоедините красный зажим зарядного устройства к плюсовой клемме (+), а черный зажим – к кузову автомобиля подальше от батареи и бензопровода.

Внимание! Если заряжается аккумуляторная батарея, снятая с автомобиля, подсоедините зажим напрямую к минусовой клемме (-) батареи.

5) Включите зарядное устройство, переключением выключателя (при наличии такового) в позицию «Вкл» и/или подключением штепселя к розетке.

Амперметр показывает ток заряда батареи, при зарядке батареи показания амперметра будут медленно уменьшаться до минимального значения в соответствии с емкостью и состоянием батареи.

После окончания зарядки батареи электролит может «закипеть». Необходимо закончить процесс зарядки при первых признаках «кипения», чтобы не повредить батарею.

Окончание зарядки

1. Отключите питание зарядного устройства, переведя выключатель (при наличии) в положение «Выкл» и/или отсоединив кабель питания от сети.

2. Отсоедините черный зажим от кузова автомобиля или от минусовой клеммы батареи.

3. Отсоедините красный зажим от плюсовой клеммы (+) батареи.

4. Закройте аккумуляторные банки специальными заглушками.

5. Храните зарядное устройство в сухом месте.

ТЕХНИЧЕСКОЕ ОБСЛУЖИВАНИЕ

Внимание! При проведении технического обслуживания зарядное устройство должно быть отключено от сети.

Техническое обслуживание осуществляется с целью продления срока службы зарядного устройства.

Поддержание зарядного устройства в технически исправном состоянии возлагается на его владельца.

С периодичностью один раз в год необходимы профилактические работы, в которые входит:

– осмотр зарядного устройства и подключаемых к нему проводов с целью выявления их повреждений;

– удаление пыли;

– проверка работоспособности всех элементов управления и защиты зарядного устройства.

Внимание! Использование абразивных материалов, синтетических моющих средств, химических растворителей может привести к повреждению поверхности корпуса и органов управления зарядного устройства. Попадание жидкостей или посторонних предметов внутрь зарядного устройства может привести к выходу его из строя.

УСЛОВИЯ ГАРАНТИЙНОГО ОБСЛУЖИВАНИЯ

1. Настоящее гарантийное свидетельство является единственным документом, подтверждающим Ваше право на бесплатное гарантийное обслуживание. Без предъявления данного свидетельства претензии не принимаются. В случае утери или порчи гарантийное свидетельство не восстанавливается.

2. Гарантийный срок на электроинструмент составляет 12 месяцев со дня продажи, в течение гарантийного срока сервисная служба бесплатно устраняет производственные дефекты и производит замену деталей, вышедших из строя по вине изготовителя. На период гарантийного ремонта эквивалентный исправный инструмент не предоставляется. Заменяемые детали переходят в собственность служб сервиса. Компания P.I.T. не несет ответственности за вред, который может быть причинен при работе с электроинструментом.

3. В гарантийный ремонт инструмент принимается в чистом виде, при обязательном наличии надлежащим образом оформленных документов: настоящего гарантийного свидетельства, гарантийного талона, с полностью заполненными полями, штампом торговой организации и подписью покупателя.

4. Гарантийный ремонт не производится в следующих случаях:

- при отсутствии гарантийного свидетельства и гарантийного талона или неправильном их оформлении;
- при совместном выходе из строя якоря и статора электродвигателя, при обугливания или оплавлении первичной обмотки трансформатора сварочного аппарата, зарядного или пуско-зарядного устройства, при оплавлении внутренних деталей, прожиге электронных плат;
- если гарантийное свидетельство или талон не принадлежит данному электроинструменту или не соответствует установленному поставщиком образцу;
- по истечении срока гарантии;
- при попытках самостоятельного вскрытия или ремонта электроинструмента вне гарантийной мастерской; внесения конструктивных изменений и смазки инструмента в гарантийный период, о чем свидетельствуют, например, заломы на шлицевых частях крепежа корпусных деталей.
- при использовании электроинструмента в производственных или иных целях, связанных с получением прибыли, а также – при возникновении неисправностей связанных с нестабильностью параметров электросети, превышающих нормы, установленные ГОСТ;
- при неправильной эксплуатации (использование электроинструмента не по назначению, установки на электроинструмент не предназначенных заводом-изготовителем насадок, дополнительных приспособлений и т.п.;
- при механических повреждениях корпуса, сетевого шнура и при повреждениях, вызванных воздействиями агрессивных средств и высоких и низких температур, попадании инородных предметов в вентиляционные решетки электроинструмента, а также при повреждениях, наступивших в результате неправильного хранения(коррозия металлических частей);
- при естественном износе деталей электроинструмента, в результате длительной эксплуатации(определяется по признакам полной или частичной выработки ресурса, сильного загрязнения, ржавчины снаружи и внутри электроинструмента, отработанной смазки в редукторе);
- использование инструмента не по назначению, указанному в инструкции по эксплуатации.
- при механических повреждениях инструмента;
- при возникновении повреждений в связи с несоблюдением предусмотренных инструкцией условий эксплуатации(см. главу Указание по технике безопасности в инструкции).
- повреждение изделия вследствие несоблюдения правил хранения и транспортировки.

Профилактическое обслуживание электроинструмента (чистка, промывка, смазка, замена пыльников, поршневых и уплотнительных колец) в гарантийный период является платной услугой.

Срок службы изделия установлен производителем и составляет 2 года со дня изготовления.

О возможных нарушениях, изложенных выше условий гарантийного обслуживания, владельцу сообщается после проведения диагностики в сервисном центре.

Владелец инструмента доверяет проведение диагностики в сервисном центре в свое отсутствие.

Запрещается эксплуатация электроинструмента при проявлении признаков повышенного нагрева, искрения, а также шума в редукторной части. Для выяснения причин неисправности покупателю следует обратиться в гарантийную мастерскую.

Неисправности, вызванные несвоевременной заменой угольных щеток двигателя, устраняются за счет покупателя.

5. Гарантия не распространяется на:

- сменные принадлежности (аксессуары и оснастка), например: аккумуляторы, диски, ножи, сверла, буры, патроны, цепи, звездочки, канговые зажимы, шины, элементы натяжения и крепления, головки триммеров, подошвы шлифовальных и ленточных машин, фильтры и т.п.
- быстроизнашивающиеся детали, например: угольные щетки, приводные ремни, сальники, защитные кожухи, направляющие ролики, направляющие, резиновые уплотнения, подшипники, зубчатые ремни и колеса, стволы, ленты тормоза, храповики и тросы стартеров, поршневые кольца и т.п. Замена их в течении гарантийного срока является платной услугой.
- шнуры питания, в случае повреждения изоляции, шнуры питания подлежат обязательной замене без согласия владельца (услуга платная).
- корпуса инструмента.

ГАРАНТИЙНОЕ СВИДЕТЕЛЬСТВО НА ИНСТРУМЕНТ P.I.T.

Наименование изделия _____
Артикул изделия
Серийный номер
Дата продажи «__» _____
Наименование торговой организации _____

М.П.

Уважаемый покупатель!

Благодарим Вас за покупку инструмента P.I.T. и надеемся, что Вы останетесь довольны своим выбором. В процессе производства инструменты P.I.T. проходят многоуровневый контроль качества, если тем не менее Ваше изделие будет нуждаться в обслуживании, просим Вас обращаться в авторизованные сервисные центры P.I.T.

Внимание!

При покупке требуйте у продавца проверки комплектности и работоспособности инструмента, заполнение гарантийного свидетельства, гарантийного талона(графы заполняются продавцом) и простановки печати торговой организации в гарантийном свидетельстве и гарантийном талоне.

Гарантия

На основании данного гарантийного свидетельства компания P.I.T. гарантирует отсутствие дефектов производственного характера.

Если в течении гарантийного срока в Вашем изделии тем не менее обнаружатся указанные дефекты, специализированные сервисные центры P.I.T. бесплатно отремонтируют изделие и заменят дефектные запасные части.

Гарантийный срок на электроинструменты P.I.T. составляет 12 месяцев со дня продажи.

«С условиями гарантийного обслуживания ознакомлен(а). Работоспособность и комплектность изделия проверены в моем присутствии. Претензий к качеству и внешнему виду не имею».

Подпись покупателя _____ Фамилия(разборчиво) _____

Телефон _____

P. I. T. WARRANTY CARD

Name _____
 Serial number _____
 The date of sale 20_____
 The date of receipt of the repair 20_____



Name _____
 Serial number _____
 Date of sale "" _____
 (Filled by seller)

Seal is here

WARRANTY REPAIR CARD
 date of acceptance for repair ____20_____
 Application for repair _____
 Customer _____
 Telephone (address) _____
 The reason for petition _____
 Tool checked in my presence _____
 (The order is filled in the service center) (signature)

Seal is here

Name _____
 Serial number _____
 The date of sale 20_____
 The date of receipt of the repair 20_____



Name _____
 Serial number _____
 Date of sale "" _____
 (Filled by seller)

Seal is here

WARRANTY REPAIR CARD
 date of acceptance for repair ____20_____
 Application for repair _____
 Customer _____
 Telephone (address) _____
 The reason for petition _____
 Tool checked in my presence _____
 (The order is filled in the service center) (signature)

Seal is here

Name _____
 Serial number _____
 The date of sale 20_____
 The date of receipt of the repair 20_____



Name _____
 Serial number _____
 Date of sale "" _____
 (Filled by seller)

Seal is here

WARRANTY REPAIR CARD
 date of acceptance for repair ____20_____
 Application for repair _____
 Customer _____
 Telephone (address) _____
 The reason for petition _____
 Tool checked in my presence _____
 (The order is filled in the service center) (signature)

Seal is here

ГАРАНТИЙНЫЙ ТАЛОН P.I.T.

 Наименование _____
 Серийный номер _____
 Дата продажи «__» _____ 20__ г.
 Дата получения из ремонта «__» _____ 20__ г.

 Наименование _____
 Серийный номер _____
 Дата продажи «__» _____ 20__ г.
 (Заполняется продавцом)

М.П.

КАРТА ГАРАНТИЙНОГО РЕМОНТА __

 Дата приема в ремонт _____ 20__ г.
 Заявка на ремонт _____
 Заказчик _____
 Телефон(адрес) _____
 Причина обращения _____
 Дата получения из ремонта _____ 20__ г.
 Инструмент проверен в моем присутствии _____
 (Заказ заполняется в сервисном центре) (подпись)

М.П.

 Наименование _____
 Серийный номер _____
 Дата продажи «__» _____ 20__ г.
 Дата получения из ремонта «__» _____ 20__ г.

 Наименование _____
 Серийный номер _____
 Дата продажи «__» _____ 20__ г.
 (Заполняется продавцом)

М.П.

КАРТА ГАРАНТИЙНОГО РЕМОНТА __

 Дата приема в ремонт _____ 20__ г.
 Заявка на ремонт _____
 Заказчик _____
 Телефон(адрес) _____
 Причина обращения _____
 Дата получения из ремонта _____ 20__ г.
 Инструмент проверен в моем присутствии _____
 (Заказ заполняется в сервисном центре) (подпись)

М.П.

 Наименование _____
 Серийный номер _____
 Дата продажи «__» _____ 20__ г.
 Дата получения из ремонта «__» _____ 20__ г.

 Наименование _____
 Серийный номер _____
 Дата продажи «__» _____ 20__ г.
 (Заполняется продавцом)

М.П.

КАРТА ГАРАНТИЙНОГО РЕМОНТА __

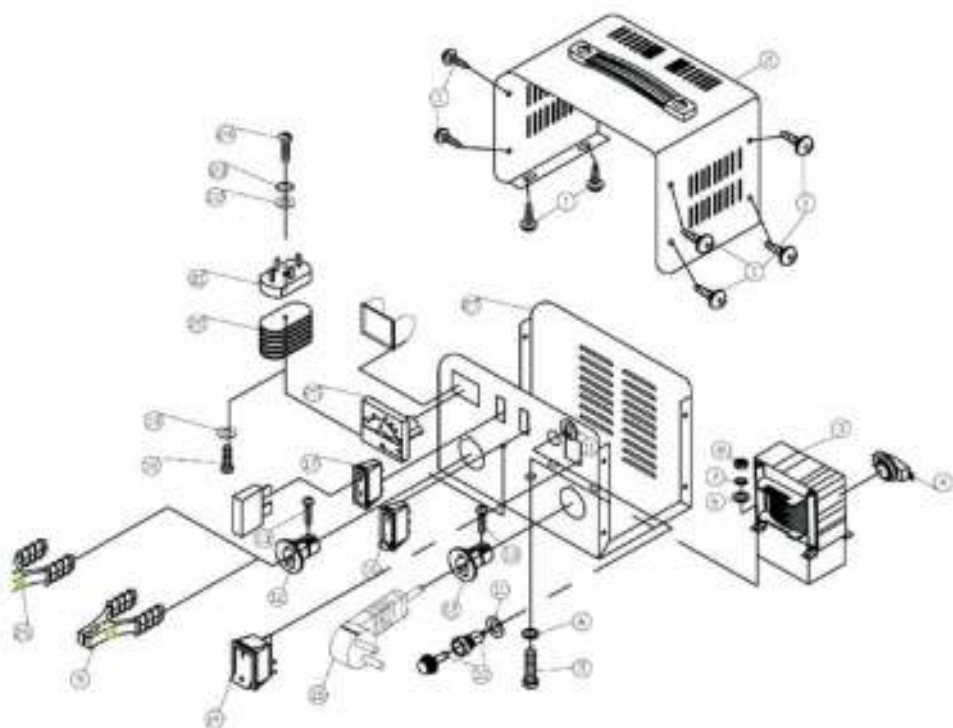
 Дата приема в ремонт _____ 20__ г.
 Заявка на ремонт _____
 Заказчик _____
 Телефон(адрес) _____
 Причина обращения _____
 Дата получения из ремонта _____ 20__ г.
 Инструмент проверен в моем присутствии _____
 (Заказ заполняется в сервисном центре) (подпись)

М.П.

P.I.T. WARRANTY SHEET /

ГАРАНТИЙНЫЙ ТАЛОН P.I.T.

СХЕМА





Поставщик / производитель: Xinjiang Longbo Industrial Co., Ltd.

Адрес производства: Rm. 602, 6th Floor, No. 531, Weixing Road, Economic And Technological Development Zone, Urumqi, Xinjiang, China

Импортер / организация, уполномоченная принимать претензии: ООО «Турбо-Тулс»

Юридический / почтовый адрес: 614058, Пермский край, г. Пермь, ул. Фоминская, 36
info@pittools.ru

Сделано в КНР / Made in China

