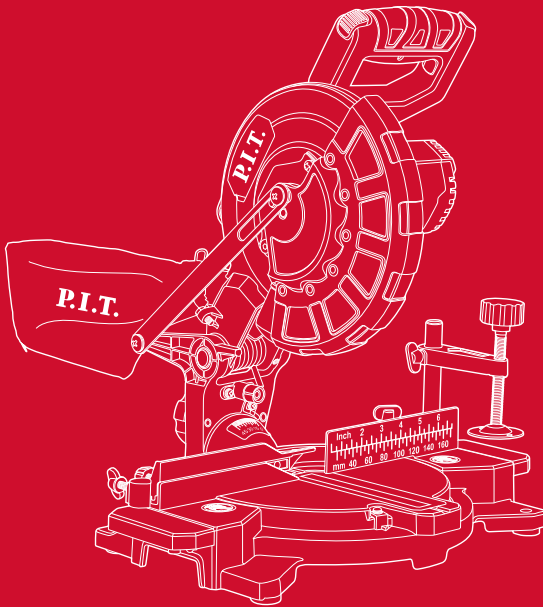


# P.I.T.

## PMS20H-210B



**CORDLESS MITER SAW**  
ПИЛА ТОРЦОВОЧНАЯ АККУМУЛЯТОРНАЯ

**20V ONE**  
POWER SYSTEM

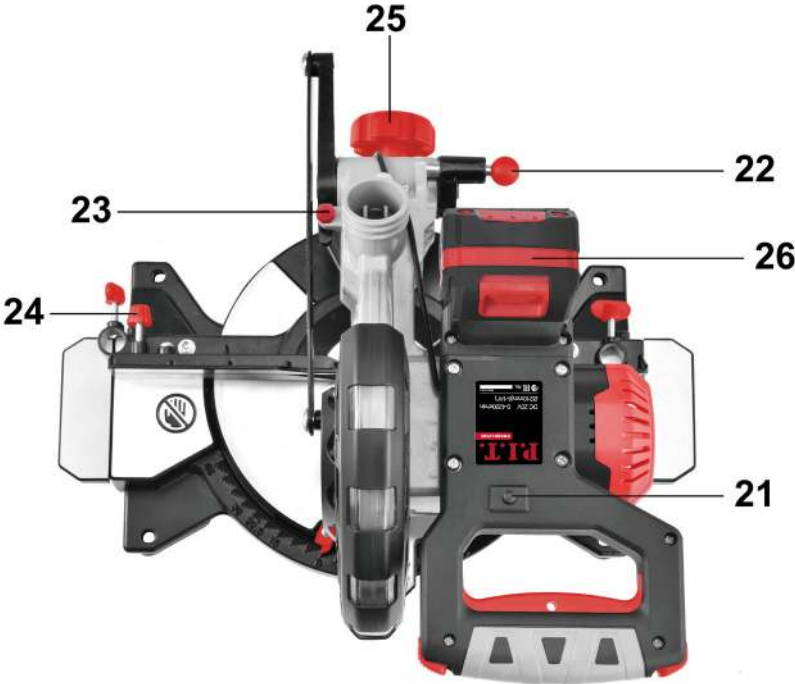
Please read the instruction manual carefully before use!

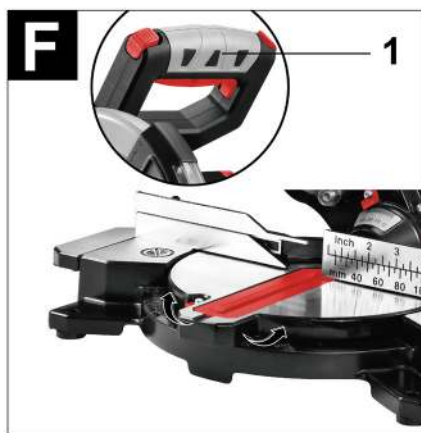
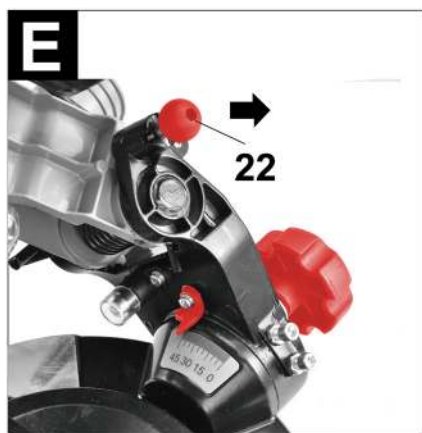
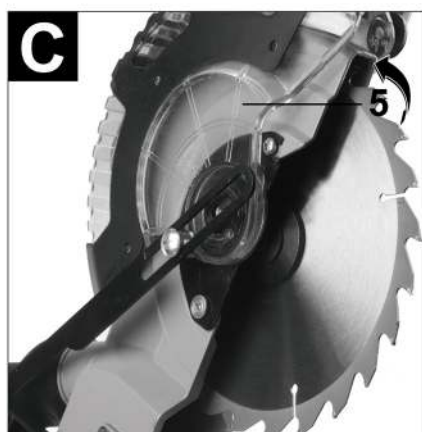
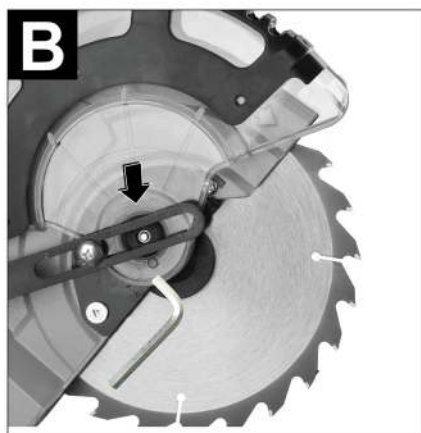
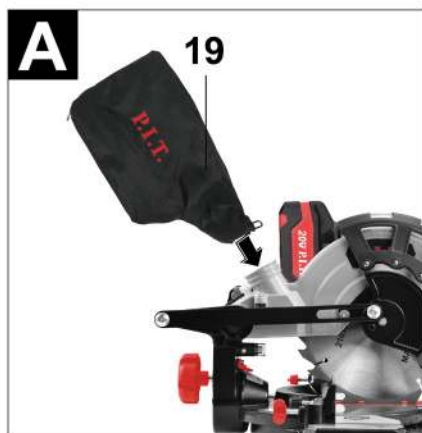
Пожалуйста, внимательно прочтите инструкцию перед использованием!

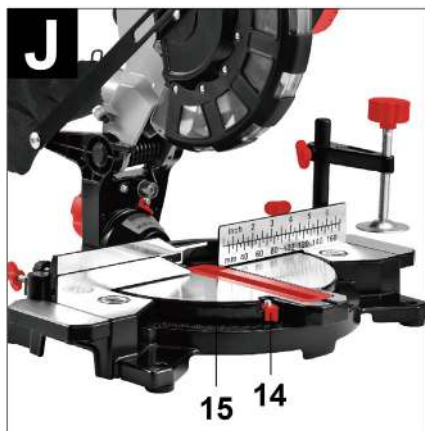
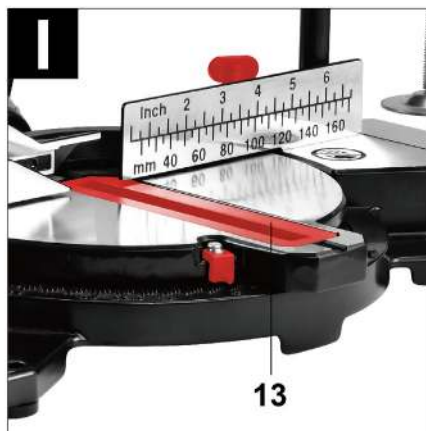


**EAC**










## English

### Safety notes

#### General power tool safety warnings

 **WARNING** Read all safety warnings and all instructions. Failure to follow the warnings and instructions may result in electric shock, fire and/or serious injury.

Save all warnings and instructions for future reference.

The term "power tool" in the warnings refers to your mains-operated (corded) power tool or battery operated (cordless) power tool.

#### Work area safety

- ▶ **Keep work area clean and well lit.** Cluttered or dark areas invite accidents.
- ▶ **Do not operate cordless or power tools in explosive areas containing flammable liquids, flammable gases or dust.** These tools generate sparks, which may ignite dust or vapors.
- ▶ **Keep children and bystanders away while operating a power tool.** Distractions can cause you to lose control.

#### Electrical safety

- ▶ **Power tool plugs must match the outlet. Never modify the plug in any way. Do not use any adapter plugs with earthed (grounded) power tools.** Unmodified plugs and matching outlets will reduce risk of electric shock.
- ▶ **Avoid body contact with earthed or grounded surfaces, such as pipes, radiators, ranges and refrigerators.** There is an increased risk of electric shock if your body is earthed or grounded.
- ▶ **Do not expose power tools to rain or wet conditions.** Water entering a power tool will increase the risk of electric shock.
- ▶ **Do not abuse the cord. Never use the cord for carrying, pulling or unplugging the power tool.** Keep cord away from heat, oil, sharp edges or moving parts. Damaged or entangled cords increase the risk of electric shock.
- ▶ **When operating a power tool outdoors, use an extension cord suitable for outdoor use.** Use of a cord suitable for outdoor use reduces the risk of electric shock.
- ▶ **If operating a power tool in a damp location is unavoidable, use a residual current device (RCD) protected supply.** Use of an RCD reduces the risk of electric shock.

### Personal safety

- ▶ **Stay alert, watch what you are doing and use common sense when operating a power tool.** Do not use a power tool while you are tired or under the influence of drugs, alcohol or medication. A moment of inattention while operating power tools may result in serious personal injury.
- ▶ **Use personal protective equipment. Always wear eye protection.** Protective equipment such as dust mask, non-skid safety shoes, hard hat, or hearing protection used for appropriate conditions will reduce personal injuries.
- ▶ **Prevent unintentional starting. Ensure the switch is in the off-position before connecting to power source and/or battery pack, picking up or carrying the tool.** Carrying power tools with your finger on the switch or energizing power tools that have the switch on invites accidents.
- ▶ **Remove any adjusting key or wrench before turning the power tool on.** A wrench or a key left attached to a rotating part of the power tool may result in personal injury.
- ▶ **Do not overreach. Keep proper footing and balance at all times.** This enables better control of the power tool in unexpected situations.
- ▶ **Dress properly. Do not wear loose clothing or jewellery.** Keep your hair, clothing and gloves away from moving parts. Loose clothes, jewellery or long hair can be caught in moving parts.
- ▶ **If devices are provided for the connection of dust extraction and collection facilities, ensure these are connected and properly used.** Use of dust collection can reduce dust-related hazards.
- ▶ **Do not let familiarity gained from frequent use of tools allow you to become complacent and ignore tool safety principles.** A careless action can cause severe injury within a fraction of a second.
- ▶ Qualified personnel in accordance with this manual mean persons who are familiar with the adjustment, installation, commissioning and maintenance of power tools.
- ▶ Persons at least 18 years of age who have studied the technical description, operating instructions and safety rules are allowed to work with power tools.
- ▶ This product is not intended for use by persons (including children) with reduced

physical, sensory or mental capabilities, or lack of experience and knowledge, unless they have been given supervision or instruction concerning use of power tools by a person responsible for their safety.

## Power tool use and care

- ▶ **Do not force the power tool. Use the correct power tool for your application.** The correct power tool will do the job better and safer at the rate for which it was designed.
- ▶ **Do not use the power tool if the switch does not turn it on and off.** Any power tool that cannot be controlled with the switch is dangerous and must be repaired.
- ▶ **Disconnect the plug from the power source and/or the battery pack from the power tool before making any adjustments, changing accessories, or storing power tools.** Such preventive safety measures reduce the risk of starting the power tool accidentally.
- ▶ **Store idle power tools out of the reach of children and do not allow persons unfamiliar with the power tool or these instructions to operate the power tool.** Power tools are dangerous in the hands of untrained users.
- ▶ **Maintain power tools. Check for misalignment or binding of moving parts, breakage of parts and any other condition that may affect the power tool's operation.** If damaged, have the power tool repaired before use. Many accidents are caused by poorly maintained power tools.
- ▶ **Keep cutting tools sharp and clean.** Properly maintained cutting tools with sharp cutting edges are less likely to bind and are easier to control.
- ▶ **Use the power tool, accessories and tool bits, etc. in accordance with these instructions, taking into account the working conditions and the work to be performed.** Use of the power tool for operations different from those intended could result in a hazardous situation.
- ▶ **Keep handles and grasping surfaces dry, clean and free from oil and grease.** Slippery handles and grasping surfaces do not allow for safe handling and control of the tool in unexpected situations.

## Battery tool use and care

- ▶ **The battery is not fully charged at the time of delivery.** To ensure full battery performance, fully charge the battery be-

fore first use.

- ▶ **Only use the battery in combination with your P.I.T.** This is the only way to prevent dangerous battery overload.
- ▶ **Recharge only with the charger specified by the manufacturer.** A charger that is suitable for one type of battery pack may create a risk of fire when used with another battery pack.
- ▶ **Use power tools only with specifically designated battery packs.** Use of any other battery packs may create a risk of injury and fire.

## Important safety instructions for working with the battery pack.

**WARNING:** Use only original P.I.T. Use of batteries not manufactured by P.I.T. or batteries that have been modified may result in battery explosion, fire, personal injury or property damage. This will also automatically void the P.I.T. on the P.I.T. tool and charger.

- ▶ Before using the battery pack, read all instructions and warning labels on the charger, battery pack, and tool powered by the battery pack.
- ▶ Do not disassemble the battery pack.
- ▶ Do not drop or hit the battery pack.
- ▶ Do not use a damaged battery pack.
- ▶ If the operating time of the battery pack is significantly shortened, stop using it immediately. Otherwise, the unit may overheat, resulting in burns and even an explosion.
- ▶ If electrolyte gets into your eyes, rinse them with plenty of clean water and seek medical attention immediately. This can lead to vision loss.
- ▶ Do not short the contacts of the battery pack with each other:
  - (1) Do not touch the contacts with any conductive objects.
  - (2) Do not store the battery pack in a container with other metal objects such as nails, coins, etc.
  - (3) Do not expose the battery pack to water or rain. Shorting the contacts of the battery pack together can cause high current, overheating, possible burns, and even breakage of the pack.



- ▶ Do not store the tool and battery pack where the temperature can reach or exceed 50 °C (122 °F).



- ▶ Do not throw the battery pack into a fire, even if it is severely damaged or completely out of order. The battery pack may explode if exposed to fire.
- ▶ Gas may be released if the battery is dam-

aged or misused. Provide fresh air and if you have any complaints, consult a doctor. Gases can cause respiratory irritation.

- ▶ Clean the battery ventilation slots from time to time with a soft, dry and clean brush.
- ▶ Charge the battery pack without completely discharging it. Be sure to stop using the tool and charge the unit if you notice a decrease in tool power.
- ▶ Never recharge a fully charged battery pack. Overcharging shortens battery life.
- ▶ Charge the battery pack at room temperature. Allow a hot battery pack to cool before charging.
- ▶ Charge the lithium-ion battery pack if you will not use the tool for a long time (more than six months).
- ▶ Do not open the battery, otherwise there is a danger of a short circuit.
- ▶ Protect the battery from high temperatures, such as prolonged exposure to the sun, fire, water and moisture. There is a risk of explosion.
- ▶ Store the battery between 0 and 45°C. Do not leave the battery in the car in summer.
- ▶ The supplied lithium-ion batteries must be used in accordance with the requirements of the dangerous goods legislation. For commercial shipments, such as by a third party or freight forwarder, special warnings and labels must be applied to the packaging. Be sure to consult with a Hazardous Materials Specialist when preparing your device for shipping. Also observe local requirements and regulations. They may be stricter.
- ▶ Cover or secure open contacts and pack the battery so that it does not move around in the package.
- ▶ Follow local regulations regarding the disposal of the battery pack.

### Safety instructions for miter saws

- ▶ **Miter saws are intended for cutting wood and wood-like materials and must not be used with abrasive cutting wheels for cutting ferrous metals such as rods, rods, pins, etc.** Dust from metal cutting can seize moving parts, such as the bottom guard. Sparks from abrasive cutting can burn through the bottom guard, blade insert, and other plastic parts.
- ▶ **Use clamps to support the workpiece whenever possible. If supporting the workpiece by hand, you must always**

**keep your hand at least 100 mm from either side of the saw blade. Do not use this saw to cut pieces that are too small to be securely clamped or held by hand.** If your hand is placed too close to the saw blade, there is an increased risk of injury from blade contact.

- ▶ **The workpiece must be stationary and clamped or held against both the fence and the table. Do not feed the workpiece into the blade or cut “freehand” in any way.** Unrestrained or moving workpieces could be thrown at high speeds, causing injury.
- ▶ **Push the saw blade through the workpiece to be cut. Do not pull the saw blade towards you through the workpiece. To make a cut, lift the saw handle, pull over the workpiece without cutting, start the engine, push the saw handle downwards and push the saw blade through the workpiece.** Pulling cutting will likely cause the saw blade to sit on the workpiece and be thrown sharply towards the operator.
- ▶ **Never cross your hand over the intended line of cutting either in front or behind the saw blade.** Supporting the workpiece “cross-handed” i.e. holding the workpiece to the right of the saw blade with your left hand or vice versa is very dangerous.
- ▶ **Do not reach behind the fence with either hand closer than 100 mm from either side of the saw blade, to remove wood scraps, or for any other reason while the blade is spinning.** The proximity of the spinning saw blade to your hand may not be obvious and you may be seriously injured.
- ▶ **Inspect your workpiece before cutting. If the workpiece is bowed or warped, clamp it with the outside bowed face toward the fence. Always make certain that there is no gap between the workpiece, fence and table along the line of the cut.** Bent or warped workpieces can twist or shift and may cause binding on the spinning saw blade while cutting. There should be no nails or foreign objects in the workpiece.
- ▶ **Do not use the saw until the table is clear of all tools, wood scraps, etc., except for the workpiece.** Small debris or loose pieces of wood or other objects that contact the revolving blade can be thrown

with high speed.

- ▶ **Cut only one workpiece at a time.** Stacked multiple workpieces cannot be adequately clamped or braced and may bind on the blade or shift during cutting.
- ▶ **Ensure the miter saw is mounted or placed on a level, firm work surface before use.** A level and firm work surface reduces the risk of the miter saw becoming unstable.
- ▶ **Plan your work. Every time you change the bevel or miter angle setting, make sure the adjustable fence is set correctly to support the workpiece and will not interfere with the blade or the guarding system.** Without turning the tool "ON" and with no workpiece on the table, move the saw blade through a complete simulated cut to assure there will be no interference or danger of cutting the fence.
- ▶ **Provide adequate support such as table extensions, saw horses, etc. for a workpiece that is wider or longer than the table top.** Workpieces longer or wider than the miter saw table can tip if not securely supported. If the cut-off piece or workpiece tips, it can lift the lower guard or be thrown by the spinning blade.
- ▶ **Do not use another person as a substitute for a table extension or as additional support.** Unstable support for the workpiece can cause the blade to bind or the workpiece to shift during the cutting operation pulling you and the helper into the spinning blade.
- ▶ **The cut-off piece must not be jammed or pressed by any means against the spinning saw blade.** If confined, i.e. using length stops, the cut-off piece could get wedged against the blade and thrown violently.
- ▶ **Always use a clamp or a fixture designed to properly support round material such as rods or tubing.** Rods have a tendency to roll while being cut, causing the blade to "bite" and pull the work with your hand into the blade.
- ▶ **Let the blade reach full speed before contacting the workpiece.** This will reduce the risk of the workpiece being thrown.
- ▶ **If the workpiece or blade becomes jammed, turn the miter saw off. Wait for all moving parts to stop and disconnect the plug from the power source.** Then work to free the jammed material. Continued sawing with a jammed workpiece could cause loss of control or damage to the miter saw.
- ▶ **After finishing the cut, release the switch, hold the saw head down and wait for the blade to stop before removing the cut-off piece.** Reaching with your hand near the coasting blade is dangerous.
- ▶ **Hold the handle firmly when making an incomplete cut or when releasing the switch before the saw head is completely in the down position.** The braking action of the saw may cause the saw head to be suddenly pulled downward, causing a risk of injury.
- ▶ **Keep your work area clean.** Material mixtures are particularly hazardous. Light metal dust may catch fire or explode.
- ▶ **Do not use dull, cracked, bent or damaged saw blades. Unsharpened or improperly set saw blades produce narrow kerf causing excessive friction, blade binding and kickback.**
- ▶ **Do not use saw blades made from high speed steel (HSS).** Such saw blades can easily break.
- ▶ Use only saw blades that have a maximum RPM of at least the maximum spindle speed of the miter saw and that are suitable for the material being cut.
- ▶ Observe the direction of rotation of the disc.
- ▶ Install the saw blade only if you have learned how to use it.
- ▶ Observe the maximum speed. Do not exceed the maximum speed indicated on the saw blade. If indicated, observe the speed range.
- ▶ **Always use saw blades of the correct size and with the correct mounting hole.** Saw blades that do not match the saw mounting parts will spin erratically and cause loss of control of the tool.
- ▶ Keep the clamping surfaces free of grease, oil and water.
- ▶ Do not use loose adapter rings or bushings to reduce holes on saw blades.
- ▶ Make sure that the diameter of the adapter ring matches the mounting hole of the saw blade.
- ▶ Make sure the adapter ring and saw blade are the same thickness.
- ▶ Make sure that the clamping flange is at least 1/3 of the flange diameter larger than the adapter ring diameter.

- ▶ **Never remove cuttings, wood chips, etc. from the cutting area while the power tool is running.** Always guide the tool arm back to the neutral position first and then switch the power tool off.
- ▶ **Do not touch the saw blade after working before it has cooled.** The saw blade becomes very hot while working.
- ▶ **Never make warning signs on the machine unrecognisable.**
- ▶ **The power tool is delivered with a laser warning sign(see table: “Symbols and their meaning”).Do not direct the laser beam at persons or animals and do not stare into the direct or reflected laser beam yourself.** You could blind somebody, cause accidents or damage your eyes.
- ▶ **If laser radiation hits your eye, you must close your eyes and immediately turn your head away from the beam.**
- ▶ **Do not use any optical instruments such as binoculars to view the radiation source.** Doing so can damage your eye.
- ▶ **Do not direct the laser beam at persons who are looking through binoculars or similar instruments.** Doing so can damage their eye.
- ▶ **Do not make any modifications to the laser equipment.**The setting options described in these operating instructions can be used safely.
- ▶ **Do not use the laser goggles as protective goggles.** The laser goggles make the laser beam easier to see; they do not protect you against laser radiation.
- ▶ **Do not use the laser goggles as sunglasses or while driving.** The laser goggles do not provide full UV protection and impair your ability to see colours.
- ▶ **WARNING! If operating or adjustment devices other than those specified here are used or other procedures are carried out, this can lead to dangerous exposure to radiation.**
- ▶ **Do not replace the integrated laser with a laser of another type.** A laser that is not compatible with this power tool could pose a risk to persons.

**Product description and specifications**



**Read all safety warnings and all instructions.** Failure to follow the warnings and instructions may result in electric shock, fire and/or serious injury.

**Intended use**

The miter saw is intended for use on a support to make straight longitudinal and cross cuts in hard and soft wood, chipboard and fiberboard.

It is possible to cut miter angles of  $-45^\circ$  to  $+45^\circ$  and bevel angles of  $0^\circ$  to  $+45^\circ$ .

When using appropriate saw blades, sawing aluminium profiles and plastic is also possible.

**Product features**

The numbering of the product features refers to the illustration of the machine on the graphics page.

1. Handle
2. Switch
3. Lock switch
4. Electric motor
5. Saw blade guard (moveable)
6. Saw blade
7. Laser pointer
8. Vertical angle scale indicator
9. Vertical angle scale
10. Downholder
11. Fence
12. Fixed table
13. Table insert
14. Mitre angle indicator
15. Mitre angle scale
16. Fence (removable)
17. Workpiece support
18. Fence (adjustable)
19. Sawdust bag
20. Saw blade guard
21. ON/OFF switch laser
22. Transport fuse
23. Depth limit screw
24. Clamping device
25. Tilt angle fixing screw
26. Rechargeable battery
27. Saw shaft (spindle) clamp

**Technical parameter**

Model	PMS20H-210B
Voltage	DC 20V
Rated speed	4200 r/min
Saw blade diameter	$\varnothing 210$ mm(8-1/4")
Weight	5.7 kg

**Contents of delivery**

- Cordless miter saw 1 pc
- Saw blade 1 pc
- Dust collector 1 pc
- Hex wrench 1 pc
- Instruction manual 1 pc

**Note**

Since the product is constantly being improved, P.I.T. reserves the right to make changes to the specifications and product specifications specified here without prior notice.

**Assembly**

► **Disconnect the battery before any manipulation with the power tool.**

Note: Check the power tool for possible damage.

Before continuing to use the power tool, carefully check that all protective devices or slightly damaged parts are working perfectly and according to specifications. Check that the moving parts are working perfectly and without jamming;

check whether any parts are damaged. All parts must be fitted correctly and all the conditions necessary to ensure smooth operation must be met.

If the protective devices or any parts become damaged, you must have them properly repaired or replaced by an authorised service center.

**Accumulator charging**

► **Use only chargers specified in the technical specifications.** Only these chargers are suitable for the lithium-ion battery of your power tool.

**Note** The battery is supplied in a partially charged state. To ensure full battery power, fully charge the battery before first use.

The lithium-ion battery can be charged at any time without reducing its service life. Stopping the charging process does not harm the battery.

The lithium-ion battery is protected from deep discharge. The protective circuit turns off the power tool when the battery is discharged - the working tool stops.

► **After the power tool turns off automatically, do not press the switch again.** The battery may be damaged.

**Please observe the disposal instructions.**

**Removing the Battery**

The battery is equipped with two locking stages designed to prevent the battery from falling out if the release button is unintentionally pressed. While the battery is in the power tool, the spring holds it in the appropriate position.

To remove the battery, press the release button and remove the battery from the power tool. Do not use force when doing this.

**Battery charge indicator**

The green LEDs on the battery charge indicator show the battery charge level. For safety reasons, the charge indicator is only active when the power tool is at rest.

Press the battery charge indicator button to display the battery charge level. This is also possible with the battery removed. If no LED indicator lights up after pressing the battery charge indicator button, the battery is faulty and must be replaced.

**Operation and meaning of charger indicator elements**

1. The charger is plugged in - the green indicator lights up
2. When placing the battery on charge, the green indicator blinks
3. When the battery is fully charged, the green indicator lights up constantly
4. If the charger or battery is faulty, the red indicator blinks.

**Self-generated dust extraction (see figure A)**

For basic chip collection, use the dust bag provided.

- Attach the dust bag to the chip ejector.

During sawing, the dust bag must not come into contact with moving tool components.

Always empty the dust bag in good time.

► **Check and clean the dust bag each time after using.**

**External Dust Extraction**

You can also attach a dust extraction hose to the chip ejector for extraction.

- Connect the dust extraction hose to the chip ejector.

The dust extractor must be suitable for the material being worked.

When extracting dry dust that is especially detrimental to health or carcinogenic, use a special dust extractor.

**Changing the saw blade**

► **Wear protective gloves when fitting the saw blade.** There is a risk of injury when touching the saw blade.

**Assembly with hex socket screw (see figures B-D)**

**Fitting the saw blade**

► **When fitting the saw blade, make sure that the cutting direction of the teeth (arrow direction on the saw blade) matches the direction of the arrow on the protective guard.**

If required, clean all the parts you want to fit before installing them.

- Swivel the retracting blade guard backwards as far as possible and hold it in this position.
- Place the new saw blade onto the interior clamping flange.
- Slowly push the retracting blade guard back down.
- Put on the clamping flange and the screw. Press the spindle lock until it engages and tighten the screw by turning it anticlockwise.

## Operation

### Transport Safety Lock (see figure E)

The transport safety lock makes it easier to handle the power tool when transporting it to various working locations.

### Unlocking the power tool (work position)

- Press the tool arm down slightly by the handle to release the transport safety lock.
- Pull the transport safety lock all the way out.
- Slowly guide the tool arm upwards.

### Locking the power tool (transport position)

- Swing the tool arm downwards by the handle until you can press the transport safety lock completely inwards.
- The tool arm is now securely locked and ready for transportation.

### Setting miter angles (see figure F)

The horizontal cutting angle can be adjusted in a wide range.

- Use the handle to turn the saw table left or right, then use the saw angle indicator to set the desired horizontal angle.

### Setting Bevel Angles (see figure G)

The cutting unit has the ability to set a given angle of inclination relative to the vertical axis, in a position from 0 to 45 degrees,

- To set the bevel angle, you need to loosen the locking screw, set the required cutting angle and securely fix the locking screw.

### Turning on the power tool

- To turn on the power tool, first press the switch lock. Then press the switch fully and hold it pressed.

**Note** For safety reasons, the switch cannot be locked and must be pressed continuously during operation.

### Shutdown

- To turn off, release the switch.

## Practical advice

### Marking the cutting line (see figure H)

A laser beam shows you the cutting line of the saw blade.

This allows for exact positioning of the work-

piece for sawing, without having to open the retracting blade guard.

- To do this, turn on the laser beam, by briefly pressing the switch.
- Align your mark on the workpiece with the right-hand edge of the laser line.

**Note:** Before sawing, check if the cutting line is still indicated correctly. The laser beam can be misplaced due to vibrations from intensive use, for example.

### Replacing insert plates (see figure I)

#### Securing the workpiece

For optimum work safety, always secure the workpiece.

Do not process workpieces that are not large enough for fastening.

- Press the workpiece firmly against the stop bars.
- Insert the supplied clamp into one of the holes provided for it.
- Adjust the threaded rod of the clamp to the height of the workpiece.
- Tighten the threaded rod tightly to secure the workpiece.

#### Adjustment (limitation) of the depth of cut

The depth of cut can be adjusted using the depth gauge:

- Turn the screw in/out to set the cutting depth.
- Check the adjustment by test cutting.

#### Special blanks

When machining curved or round workpieces, you must secure them to prevent slipping. On the cutting line, a gap between the workpiece, the stop rail and the table is not allowed. If necessary, special fasteners should be made.

#### Basic settings - control and correction

To ensure an accurate cut after intensive work, the initial settings of the power tool should be checked and adjusted if necessary.

#### General sawing instructions

- ▶ **Always tighten the locking knob and the clamping handle firmly before sawing. Otherwise the saw blade can become wedged in the workpiece.**
- ▶ **For all cuts, it must first be ensured that the saw blade at no time can come in contact with the fence, screw clamps or other machine parts. Remove any mounted auxiliary stops or adjust them accordingly.**

Protect the saw blade against impact and shock. Do not subject the saw blade to lateral pressure.

Only saw materials which are permitted within

the scope of the intended use.

Do not saw warped/bent workpieces. The workpiece must always have a straight edge to face against the fence.

The free end of long and heavy workpieces must have something placed underneath it or be supported.

Make sure that the retracting blade guard operates properly and that it can move freely. The retracting blade guard must open when the tool arm is guided downwards. When the tool arm is guided upwards, the retracting blade guard must close again over the saw blade and lock in the uppermost position of the tool arm.

### Sawing (facing)

- Before making a cut, make sure that the movable fence and the saw blade are not in contact.
- Move the cutting unit to the up position.
- If necessary, set the desired horizontal and/or vertical cutting angle.
- Press the workpiece firmly against the stop bars.
- Fasten the workpiece according to the dimensions.
- Turn on the pill.
- Slowly lower the cutting unit by the handle.
- Carry out the cut with an even feed.
- Turn off the power tool and wait until the saw blade comes to a complete stop.
- Carefully lift the cutting unit.

**Attention!** Internal springs in the return mechanism automatically lift the cutting unit to its original position. Do not release the handle once the cut is complete; instead, allow the cutting unit to move upward slowly while applying light counter pressure.

### Aligning the miter angle indicator (see figure J)

- Bring the power tool into the work position.
- Turn the saw table to the 0° detent. The lever must be felt to engage in the detent.

### Checking

The angle indicator must be in line with the 0° mark of the scale.

### Setting

- Loosen the indicator mounting screw with a Phillips screwdriver and align the angle indicator to the 0° mark.
- Retighten the screw.

### Transport (see figure K)

Before transporting the power tool, the following steps must be carried out:

- Lock the turntable.

- Press the cutting unit downwards and secure it with the transport safety lock.
- Carry equipment behind a stationary saw table.

## Maintenance and service

### Maintenance and cleaning

- ▶ **Before carrying out maintenance work, changing accessories, etc., as well as during transport and storage, remove the battery from the device. There is a risk of injury if it is switched on unintentionally.**
- ▶ **For safe and proper working, always keep the machine and ventilation slots clean.**
- ▶ **The pendulum guard must always move freely and close independently. Therefore, always keep the area around the pendulum guard clean.**
- ▶ **After each work step, remove dust and chips with a compressed air jet or brush.**
- ▶ **Before each job, check the condition of the saw blade.**

When the battery is no longer operative, please refer to an authorised after-sales service agent for P.I.T. power tools.

### Service

Have your power tool repaired only by qualified personnel and only with original replacement parts. This ensures the safety of the power tool.


The list of authorized service centers can be viewed on the official website of P.I.T. by the link: <https://pittools.ru/services/>

### Storage and transportation

Store the instrument in an enclosed area with natural ventilation in its packaging at an air temperature from 0 ° C to + 50 ° C and an air humidity of no more than 80%.

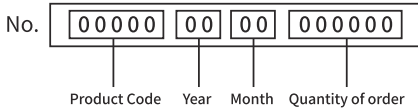
Products can be transported by any type of closed transport in the manufacturer's packaging or without it, while preserving the product from mechanical damage, atmospheric precipitation. Remove the exchange tool from the power tool before transporting it.

### Dispose of waste

 Damaged power tools, batteries, accessories and waste packaging materials must be recycled and reused in an environmentally friendly manner.

Do not throw power tools and accumulators / batteries into general household waste!

## Product serial number interpretation serial number



The date of manufacture of the product is encoded in the serial number printed on the body of the tool. The first 2 digits indicate the year of issue, the next 2 digits indicate the month.

### TERMS OF WARRANTY SERVICE

To customers (users) of warranty service:

1. This warranty certificate is the only document that confirms your right to free warranty service. If this proof is not presented, no claims will be accepted. Warranty certificates cannot be recovered if lost or damaged.
2. It is required to provide a valid and legal document for purchasing the product. The document must have the name or seal of the sales company; at the same time, state the full model name of the purchased P.I.T. product, the serial number on the nameplate of the fuselage, and the date of purchase, and the required warranty. The whole machine and its accessories.

The warranty period:

1. The warranty period of the product is 12 months from the date of sale. During the warranty period, the service department will eliminate manufacturing defects free of charge and replace the parts that fail due to the manufacturer's fault. In warranty repair, an equivalent operable product is not provided. Replaceable parts become the property of the service provider.
2. The wear degree on the diameter of the motor rotor commutator is less than 0.4 mm (except for brushless motor tools), and the internal damage caused by the quality of the tool belongs to the warranty.

The following situations occur during the warranty period, which is not covered by the warranty:

1. In the absence of any valid legal documents (invoices) such as warranty certificates and warranty cards to prove the date of purchase.
2. Damage caused by natural wear and overload. (For example, motor rotor and stator failure caused by overload, scorching or melting of the primary winding of the welding machine transformer, charging or starting the charging

device, melting of internal parts, burning of electronic circuit boards, etc.)

3. The casing and power cord are mechanically damaged, as well as damage caused by corrosive media and high and low temperature, foreign objects entering the ventilation network of the motor, and damage caused by improper storage (corrosion of metal parts);
4. Damage caused by improper carrying, transportation and storage by users.
5. Products that are opened, repaired, replaced or modified by users themselves.
6. Any damage caused by indiscriminate use, beyond the scope of use of the tool, and not in accordance with the instructions for use and maintenance. (see chapter "Safety Precautions" in the manual);
7. The damage caused by the following situations is not guaranteed due to improper use and non-quality problems:

- (1) When the power tool is running at high speed, use the braking device to forcibly stop the rotation.
- (2) Excessive pressure is applied to the tool during the use of the tool.
- (3) Use the tool outside the scope of its purpose and capabilities.
- (4) Damage caused by the tool working in a dusty environment for a long time without timely maintenance of the tool.
- (5) Change the rotation direction of the work head before the tool stops completely.
- (6) Shock the battery or charger and replace the plug of the charger without permission, causing damage to the battery or charger.
- (7) Damage caused by two-stroke gasoline tools not being fueled in the correct proportions.

The warranty does not include:

1. Replacement of accessories (accessories and components) such as batteries, discs, blades, drills, chucks, chains, sprockets, collet clamps, guide rails, tension and fastening elements, dresser heads, grinders And belt sander base machine, hexagonal head, etc.;
2. Wearing parts, such as: carbon brushes, transmission belts, seals, protective covers, guide rollers, guide rails, rubber seals, bearings, toothed belts and wheels, shanks, brake belts, starter ratchets and ropes, piston rings Wait.

The above accessories are replaced with paid services during the warranty period;

## Русский

Указания по технике безопасности  
Общие указания по технике безопасно-  
сти для электроинструментов



### ПРЕДУПРЕЖДЕНИЕ

Прочтите все указания и инструк-  
ции по технике безопасности.

Несоблюдение указаний и инструкций по  
технике безопасности может стать причи-  
ной поражения электрическим током, пожа-  
ра и тяжелых травм.

**Сохраняйте эти инструкции и указания  
для будущего использования.**

Использованное в настоящих инструкциях  
и указаниях понятие «электроинструмент»  
распространяется на электроинструмент с  
питанием от сети (с сетевым шнуром) и на  
аккумуляторный электроинструмент (без  
сетевго шнура).

### Безопасность рабочего места

- ▶ Содержите рабочее место в чистоте и  
хорошо освещенным. Беспорядок или  
неосвещенные участки рабочего места  
могут привести к несчастным случаям.
- ▶ Не работайте аккумуляторным и элек-  
троинструментом во взрывоопасном  
помещении, в котором находятся го-  
рячие жидкости, воспламеняющиеся  
газы или пыль. Данные инструменты  
искрят, что может привести к воспламе-  
нению пыли или паров.
- ▶ Во время работы с электроинстру-  
ментом не допускайте близко к Ва-  
шему рабочему месту детей и посто-  
ронних лиц. Отвлекшись, Вы можете  
потерять контроль над электроинстру-  
ментом.

### Электробезопасность

- ▶ Штепсельная вилка электроинстру-  
мента должна подходить к штепсель-  
ной розетке. Ни в коем случае не  
изменяйте штепсельную вилку. Не  
применяйте переходные штекеры  
для электроинструментов с защит-  
ным заземлением. Неизменные  
штепсельные вилки и подходящие  
штепсельные розетки снижают риск по-  
ражения электротоком.
- ▶ Предотвращайте телесный контакт  
с заземленными поверхностями, как  
то: с трубами, элементами отопления,  
кухонными плитами и холодильника-  
ми. При заземлении Вашего тела повы-  
шается риск поражения электротоком.
- ▶ Защищайте электроинструмент от до-

жда и сырости. Проникновение воды  
в электроинструмент повышает риск  
поражения электротоком.

- ▶ Не разрешается использовать шнур  
не по назначению, например, для  
транспортировки или подвески элек-  
троинструмента, или для вытягива-  
ния вилки из штепсельной розетки.  
Защищайте шнур от воздействия  
высоких температур, масла, острых  
кромок или подвижных частей элек-  
троинструмента. Поврежденный или  
спутанный шнур повышает риск пораже-  
ния электротоком.
- ▶ При работе с электроинструментом  
под открытым небом применяйте  
пригодные для этого кабели удлин-  
нители. Применение пригодного для  
работы под открытым небом кабеля  
удлинителя снижает риск поражения  
электротоком.
- ▶ Если невозможно избежать приме-  
нения электроинструмента в сыром  
помещении, подключайте электроин-  
струмент через устройство защитного  
отключения. Применение устройст-  
ва защитного отключения снижает риск  
электрического поражения.

### Безопасность людей

- ▶ Будьте внимательными, следите за  
тем, что Вы делаете, и продуманно  
начинайте работу с электроинстру-  
ментом. Не пользуйтесь электроин-  
струментом в усталом состоянии  
или если Вы находитесь в состоянии  
наркотического или алкогольного  
опьянения или под воздействием ле-  
карств. Один момент невнимательно-  
сти при работе с электроинструментом  
может привести к серьезным травмам.
- ▶ Применяйте средства индивидуаль-  
ной защиты. Всегда носите защитные  
очки. Использование средств инди-  
видуальной защиты, как то: защитной  
маски, обуви на нескользящей подошве,  
защитного шлема или средств защиты  
органов слуха, в зависимости от вида  
работы с электроинструментом снижает  
риск получения травм.
- ▶ Предотвращайте непреднамеренное  
включение электроинструмента.  
Перед подключением электроин-  
струмента к электропитанию и/или к  
аккумулятору убедитесь в выключен-  
ном состоянии электроинструмента.

Удержание пальца на выключателе при транспортировке и подключение к сети питания включенного электроинструмента чревато несчастными случаями.

- ▶ **Убирайте установочный инструмент или гаечные ключи до включения электроинструмента.** Инструмент или ключ, находящийся во вращающейся части электроинструмента, может привести к травмам.
- ▶ **Не принимайте неестественное положение корпуса тела. Всегда занимайте устойчивое положение и сохраняйте равновесие.** Благодаря этому Вы можете лучше контролировать электроинструмент в неожиданных ситуациях.
- ▶ **Носите подходящую рабочую одежду. Не носите широкую одежду и украшения. Держите волосы, одежду и рукавицы вдали от движущихся частей.** Широкая одежда, украшения или длинные волосы могут быть затянуты вращающимися частями.
- ▶ **При наличии возможности установки пылеотсасывающих и пылесборных устройств проверяйте их присоединение и правильное использование.** Применение пылесоса может снизить опасность, создаваемую пылью.
- ▶ **Хорошее знание электроинструментов, полученное в результате частого их использования, не должно приводить к самоуверенности и игнорированию техники безопасности обращения с электроинструментами.** Одно небрежное действие за долю секунды может привести к серьезным травмам.
- ▶ **ВНИМАНИЕ!** В случае возникновения перебоя в работе электроинструмента вследствие полного или частичного прекращения энергоснабжения или повреждения цепи управления энергоснабжением установите выключатель в положение Выкл., убедившись, что он не заблокирован (при его наличии). Отключите сетевую вилку от розетки или отсоедините съёмный аккумулятор. Этим предотвращается неконтролируемый повторный запуск.
- ▶ **Квалифицированный персонал в соответствии с настоящим руководством подготавливает лиц, которые знакомы с регулировкой, монтажом, вводом в эксплуатацию обслуживанием электроинструмента.**
- ▶ **К работе с электроинструментом допу-**

скаются лица не моложе 18 лет, изучившие техническое описание, инструкцию по эксплуатации и правила безопасности.

- ▶ Изделие не предназначено для использования лицами (включая детей) с пониженными физическими, чувственными или умственными способностями или при отсутствии у них жизненного опыта или знаний, если они не находятся под контролем или не проинструктированы об использовании электроинструмента лицом, ответственным за их безопасность.

## Применение электроинструмента и обращение с ним

- ▶ **Не перегружайте электроинструмент. Используйте для Вашей работы предназначенный для этого электроинструмент.** С подходящим электроинструментом Вы работаете лучше и надежнее в указанном диапазоне мощности.
- ▶ **Не работайте с электроинструментом при неисправном выключателе.** Электроинструмент, который не поддается включению или выключению, опасен и должен быть отремонтирован.
- ▶ **До начала наладки электроинструмента, перед заменой принадлежностей и прекращением работы отключайте штепсельную вилку от розетки сети и/или выньте аккумулятор.** Эта мера предосторожности предотвращает непреднамеренное включение электроинструмента.
- ▶ **Храните электроинструменты в недоступном для детей месте. Не разрешайте пользоваться электроинструментом лицам, которые не знакомы с ним или не читали настоящих инструкций.** Электроинструменты опасны в руках неопытных лиц.
- ▶ **Тщательно ухаживайте за электроинструментом. Проверяйте безупречную функцию и ход движущихся частей электроинструмента, отсутствие поломок или повреждений, отрицательно влияющих на функцию электроинструмента. Поврежденные части должны быть отремонтированы до использования электроинструмента.** Плохое обслуживание электроинструментов является причиной большого числа несчастных случаев.

- ▶ **Держите режущий инструмент в заточенном и чистом состоянии.** Заботливо ухоженные режущие инструменты с острыми режущими кромками режут легче и безопаснее.
- ▶ **Применяйте электроинструмент, принадлежности, рабочие инструменты и т. п. в соответствии с настоящими инструкциями.** Учитывайте при этом рабочие условия и выполняемую работу. Использование электроинструментов для непредусмотренных работ может привести к опасным ситуациям.
- ▶ **Держите ручки и поверхности захвата сухими и чистыми, следите чтобы на них чтобы на них не было жидкой или консистентной смазки.** Скользкие ручки и поверхности захвата препятствуют безопасному обращению с инструментом и не дают надежно контролировать его в непредвиденных ситуациях.

### Применение и обслуживание аккумулятора

- ▶ **Аккумулятор поставляется не полностью заряженным.** Для обеспечения полной мощности аккумулятора зарядите его полностью перед первым применением.
- ▶ **Используйте аккумуляторную батарею только в комбинации с Вашим инструментом P.I.T.** Только так вы сможете предотвратить опасную перегрузку аккумулятора.
- ▶ **Заряжайте аккумуляторы только в зарядных устройствах, рекомендуемых изготовителем.** Зарядное устройство, предусмотренное для определенного вида аккумуляторов, может привести к пожарной опасности при использовании его с другими аккумуляторами.
- ▶ **Применяйте в электроинструментах только предусмотренные для этого аккумуляторы.** Использование других аккумуляторов может привести к травмам и пожарной опасности.

**Важные правила техники безопасности для работы с аккумуляторным блоком.**

**ВНИМАНИЕ: Используйте только фирменные аккумуляторные батареи P.I.T.**

Использование аккумуляторных батарей, не произведенных P.I.T., или батарей, которые были подвергнуты модификациям, может привести к взрыву аккумулятора, пожару, травмам и повреждению имуще-

ства. Это также автоматически аннулирует гарантию P.I.T. на инструмент и зарядное устройство P.I.T.

- ▶ Перед использованием аккумуляторного блока прочитайте все инструкции и предупредительные надписи на зарядном устройстве, аккумуляторном блоке и инструменте, работающем от аккумуляторного блока.
- ▶ Не разбирайте аккумуляторный блок.
- ▶ Не роняйте и не ударяйте аккумуляторный блок.
- ▶ Не используйте поврежденный аккумуляторный блок
- ▶ Если время работы аккумуляторного блока значительно сократилось, немедленно прекратите работу. В противном случае, может возникнуть перегрев блока, что приведет к ожогам и даже к взрыву.
- ▶ В случае попадания электролита в глаза промойте их обильным количеством чистой воды и немедленно обратитесь к врачу. Это может привести к потере зрения.

- ▶ Не замыкайте контакты аккумуляторного блока между собой:

(1) Не прикасайтесь к контактам какими-либо токопроводящими предметами.

(2) Не храните аккумуляторный блок в контейнере вместе с другими металлическими предметами, такими как гвозди, монеты и т. п.

(3) Не допускайте попадания на аккумуляторный блок воды или дождя. Замыкание контактов аккумуляторного блока между собой может привести к возникновению большого тока, перегреву, возможным ожогам и даже поломке блока.



▶ Не храните инструмент и аккумуляторный блок в местах, где температура может достигать или превышать 50 °C (122 °F).



▶ Не бросайте аккумуляторный блок в огонь, даже если он сильно поврежден или полностью вышел из строя. Аккумуляторный блок может взорваться под действием огня.

- ▶ При повреждении и ненадлежащем использовании аккумулятора может выделяться газ. Обеспечьте приток свежего воздуха и при возникновении жалоб обратитесь к врачу. Газы могут вызвать раздражение дыхательных путей.

- ▶ Время от времени прочищайте вентиляционные прорези аккумулятора мягкой,

сухой и чистой кисточкой.

- ▶ Заряжайте блок аккумуляторов не допуская его полной разрядки. Обязательно прекратите работу с инструментом и зарядите блок, если вы заметили снижение мощности инструмента.
- ▶ Никогда не подзаряжайте полностью заряженный блок аккумуляторов. Перезарядка сокращает срок службы аккумулятора.
- ▶ Заряжайте блок аккумуляторов при комнатной температуре. Перед зарядкой горячего блока аккумуляторов дайте ему остыть.
- ▶ Зарядите литий-ионный аккумуляторный блок, если вы не будете пользоваться инструментом длительное время (более шести месяцев).
- ▶ Не вскрывайте аккумулятор. При этом возникает опасность короткого замыкания.
- ▶ Защищайте аккумуляторную батарею от высоких температур, например, от длительного нагревания на солнце, от огня, воды и влаги. Существует опасность взрыва.
- ▶ Храните аккумулятор в диапазоне температур от 0 до 45°C. Не оставляйте аккумулятор летом в автомобиле.
- ▶ Входящие в комплект литий-ионные аккумуляторы должны эксплуатироваться в соответствии с требованиями законодательства об опасных товарах.

При коммерческой транспортировке, например, третьей стороной или экспедитором, необходимо нанести на упаковку специальные предупреждения и маркировку. В процессе подготовки устройства к отправке обязательно проконсультируйтесь со специалистом по опасным материалам. Также соблюдайте местные требования и нормы. Они могут быть строже.

Закройте или закрепите разомкнутые контакты и упакуйте аккумулятор так, чтобы он не перемещался по упаковке.

- ▶ Выполняйте требования местного законодательства относительно утилизации аккумуляторного блока.

### **Указания по технике безопасности для торцовочных пил**

- ▶ Торцовочные пилы предназначены для резки дерева и подобных дереву материалов, запрещается их использование с абразивными отрезными дисками для резки черных металлов,

**напр., прутьев, стержней, штифтов и т.д.** Пыль от резки металла ведет к заеданию движущихся частей, напр., нижнего защитного кожуха. Искры, образующиеся при абразивной резке, могут прожечь нижний защитный кожух, вставку в прорези для диска и прочие пластиковые части.

- ▶ **Всегда, когда возможно, используйте трубины для фиксации обрабатываемой детали.** В случае придерживания обрабатываемой детали рукой обязательно держите руку на расстоянии не менее 100 мм от любой из сторон пильного диска. Не используйте эту пилу для резки заготовок, размер которых слишком мал для надежного закрепления или удерживания рукой. При слишком близком расположении руки от пильного диска повышается риск травмы от контакта с пильным диском.
- ▶ **Обрабатываемая заготовка должна быть неподвижной и зажатой или удерживаться рукой с опорой одновременно на ограждение и на стол.** Никогда не подавайте обрабатываемую заготовку под пильный диск и не выполняйте резку на весу. Не зажатые или движущиеся обрабатываемые заготовки могут быть отброшены с большой скоростью, что может стать причиной травм.
- ▶ **Проталкивайте пильный диск сквозь обрабатываемую заготовку.** Не протягивайте пильный диск сквозь обрабатываемую заготовку на себя. Чтобы сделать рез, поднимите ручку пилы, протяните на себя поверх обрабатываемой заготовки без разрезания, запустите двигатель, надавите на ручку пилы сверху вниз и протолкните пильный диск сквозь обрабатываемую заготовку. Резание при движении на себя скорее всего приведет к тому, что пильный диск съедет на обрабатываемую заготовку и будет резко выброшен в сторону оператора.
- ▶ **Рука никогда не должна пересекать предполагаемую линию реза ни спереди, ни сзади пильного диска.** Придерживание обрабатываемой заготовки перекрещенными руками, т.е. удерживание обрабатываемой заготовки справа от пильного диска левой рукой или наоборот, очень опасно.

- ▶ **Не протягивайте руку за ограждение ближе, чем на 100 мм от любой из сторон пильного диска, ни для удаления древесной стружки, ни для чего-либо еще, если диск еще вращается.** Близость вращающегося пильного диска к руке может быть недооценена, что может привести к тяжелым травмам.
  - ▶ **Осмотрите обрабатываемую заготовку перед резанием.** Если обрабатываемая заготовка имеет изогнутую или крученую форму, закрепляйте ее внешней поверхностью изгиба к ограждению. Всегда следите за тем, чтобы по линии разреза отсутствовал зазор между обрабатываемой заготовкой, ограждением и столом. Обрабатываемые заготовки изогнутой или крученой формы могут перекрутиться или сдвинуться, что может привести к заеданию вращающегося пильного диска во время резки. В обрабатываемой заготовке не должно быть гвоздей или инородных тел.
  - ▶ **Используйте пилу только после того, как стол будет очищен от всех инструментов, обрезков дерева и т.д., за исключением обрабатываемой заготовки.** Мелкий мусор или кусочки дерева или прочие предметы, входя в контакт с вращающимся пильным диском, могут быть отброшены с большой скоростью.
  - ▶ **Режьте обрабатываемые заготовки только по одной за раз.** Уложенные стопкой обрабатываемые заготовки невозможно как следует зажать или скрепить, поэтому они могут зажать пильный диск или сдвинуться во время резания.
  - ▶ **Перед использованием убедитесь в том, что торцовочная пила смонтирована или установлена на ровной, стабильной рабочей поверхности.** Ровная и стабильная рабочая поверхность снижает риск шатания торцовочной пилы.
  - ▶ **Планируйте свою работу.** Каждый раз при изменении настройки вертикального или горизонтального угла распила убедитесь в том, что регулируемое ограждение правильно настроено для поддержки обрабатываемой заготовки и не будет мешать пильному диску или системе защиты. Не включая электроинструмент в поло-
- жение «ВКЛ» и не помещая обрабатываемую заготовку на стол, полностью проведите пильный диск по воображаемому разрезу, чтобы убедиться в отсутствии помех или опасности порезать ограждение.
  - ▶ **Обеспечивайте адекватную опору, напр., дополнительные столы, козлы и т.д. для обрабатываемой заготовки, превышающей размер стола по ширине или длине.** Если обрабатываемая заготовка длиннее или шире стола торцовочной пилы, то без соответствующей опоры она может накрениться. Если отрезаемая часть или обрабатываемая заготовка накренится, она может поднять нижний защитный кожух или может быть отброшена вращающимся пильным диском.
  - ▶ **Не используйте других людей в качестве дополнительного стола или подпорки.** Нестабильная опора обрабатываемой заготовки может привести к зажатию пильного диска или сдвигу обрабатываемой заготовки во время резания, из-за чего Вас и Вашего помощника может затянуть под вращающийся пильный диск.
  - ▶ **Отрезаемая часть не должна быть зажата или придавлена чем-либо к вращающемуся пильному диску.** При зажатии, т.е. при использовании упора для установки длины, отрезаемая часть может заклинить пильным диском и может быть резко отброшена.
  - ▶ **Всегда используйте струбцину или зажимное устройство, предназначенное для надежного закрепления круглых материалов, напр., стержней или труб.** Стержни обычно укладываются при резке, из-за чего пильный диск может «закусывать» и тянуть обрабатываемую заготовку вместе с рукой под пильный диск.
  - ▶ **Дайте пильному диску разогнаться до полной скорости перед тем, как прикоснуться к обрабатываемой заготовке.** Это снижает риск отбрасывания обрабатываемой заготовки.
  - ▶ **Если обрабатываемую заготовку или пильный диск заело, выключите торцовочную пилу.** Подождите, пока все движущиеся части не остановятся, и извлеките вилку из розетки сети питания и/или извлеките батарею. Затем освободите зажатый материал. Если продол-

- жить резать заевшую обрабатываемую заготовку, можно утратить контроль над торцовочной пилой или повредить ее.
- ▶ **По завершении резания, отпустите выключатель, опустите головку пилы вниз и подождите, пока пильный диск остановится, и лишь затем убирайте отрезанную часть.** Приближать руку к движущемуся по инерции пильному диску опасно.
  - ▶ **Крепко держите ручку, выполняя неполный прорез или отпуская выключатель до того, как головка пилы полностью опустится вниз.** При торможении пилы головка пилы может внезапно потянуть вниз, что ведет к риску получения травмы.
  - ▶ **Содержите рабочее место в чистоте. Смеси материалов особенно опасны.** Пыль легких металлов может взорваться или взрываться.
  - ▶ **Не применяйте тупые, треснувшие, погнутые или поврежденные пильные диски.** Пильные диски с тупыми или неправильно разведенными зубьями ведут в результате очень узкого пропила к повышенному трению, заклиниванию диска и к обратному удару.
  - ▶ **Не применяйте пильные диски из высоколегированной быстрорежущей стали (сталь HSS).** Такие диски могут легко разломаться.
  - ▶ Используйте только пильные диски, максимально допустимая скорость вращения которых не ниже максимальной скорости шпинделя торцовочной пилы, и которые подходят для разрезаемого материала.
  - ▶ Соблюдайте направление вращения диска.
  - ▶ Устанавливайте пильный диск только в том случае, если вы научились им пользоваться.
  - ▶ Соблюдайте максимальную скорость. Запрещается превышать максимальную скорость, указанную на пильном диске. Если указано, соблюдайте диапазон скоростей.
  - ▶ **Всегда используйте пильные диски правильного размера и с подходящим посадочным отверстием.** Пильные диски, не соответствующие крепежным частям пилы, вращаются с биением и ведут к потере контроля над инструментом.
  - ▶ Очищайте зажимные поверхности от смазки, масла и воды.
  - ▶ Не используйте незакрепленные переходные кольца или втулки для уменьшения отверстий на пильных дисках.
  - ▶ Убедитесь, что диаметр переходного кольца соответствует посадочному отверстию пильного диска.
  - ▶ Убедитесь, что переходное кольцо и пильный диск имеют одинаковую толщину.
  - ▶ Убедитесь, что зажимной фланец больше диаметра переходного кольца на величину не менее 1/3 диаметра фланца.
  - ▶ **Никогда не удаляйте обрезки материала, стружку и т. п. из зоны резания во время работы электроинструмента.** Вначале приведите режущий блок рабочего инструмента в состояние покоя и затем выключайте электроинструмент.
  - ▶ **Не касайтесь пильного диска после работы, пока он не остынет.** При работе пильный диск сильно нагревается.
  - ▶ **Электроинструмент поставляется с предупредительной табличкой лазерного излучения.** Не направляйте луч лазера на людей или животных и сами не смотрите на прямой или отражаемый луч лазера. Этот луч может слепить людей, стать причиной несчастного случая или повредить глаза.
  - ▶ **В случае попадания лазерного луча в глаз глаза нужно намеренно закрыть и немедленно отвернуться от луча.**
  - ▶ **Не смотрите на источник излучения через фокусирующие оптические инструменты, напр., бинокль.** Это чревато повреждением глаз.
  - ▶ **Не направляйте лазерный луч на людей, смотрящих в бинокль или аналогичные приборы.** Это чревато повреждением их глаз.
  - ▶ **Не меняйте ничего в лазерном устройстве.** Описанные в настоящем руководстве по эксплуатации возможности по настройке не сопряжены с рисками.
  - ▶ **Не используйте очки для работы с лазерным инструментом в качестве защитных очков.** Очки для работы с лазерным инструментом обеспечивают лучшее распознавание лазерного луча, но не защищают от лазерного излучения.
  - ▶ **Не используйте очки для работы с лазерным инструментом в качестве**

**солнцезащитных очков или за рулем.**

Очки для работы с лазером не обеспечивают защиту от УФ-излучения и мешают правильному цветосприятию.

► **Осторожно – применение инструментов для обслуживания или юстировки или процедур техобслуживания, кроме указанных здесь, может привести к опасному воздействию излучения.**

► **Не меняйте встроенный лазер на лазер другого типа.** От лазера, не подходящего к этому электроинструменту, может исходить опасность для людей.

**Описание продукта и услуг**

Прочтите все указания и инструкции по технике безопасности. Упущения в отношении указаний и инструкций по технике безопасности могут стать причиной поражения электрическим током, пожара и тяжелых травм.

Пожалуйста, откройте раскладную страницу с иллюстрациями электроинструмента и оставляйте ее открытой, пока Вы изучаете руководство по эксплуатации.

**Применение по назначению**

Торцовочная пила предназначен для использования на опоре для выполнения в древесине твердых и мягких пород, древесностружечных и древесноволокнистых плитах прямолинейных продольных и поперечных распилов.

Возможны горизонтальные углы распила от  $-45^\circ$  до  $+45^\circ$  и вертикальные углы распила от  $0^\circ$  до  $+45^\circ$ . При использовании соответствующих пильных дисков возможно распиливание алюминиевых профилей и пластмассы.

**Изображенные составные части**

Нумерация представленных компонентов выполнена по изображению на странице с иллюстрациями.

1. Ручка
2. Выключатель
3. Блокатор выключателя
4. Электродвигатель
5. Подвижный кожух пильного диска
6. Пильный диск
7. Лазерный указатель
8. Указатель шкалы вертикального угла
9. Шкала вертикального угла
10. Зажимное устройство
11. Фронтальный упор
12. Фиксированный пильный стол
13. Вставка поворотного стола

14. Указатель угла поворотного стола
15. Шкала поворотного стола
16. Поворотный стол
17. Удлинитель стола
18. Подвижная упорная планка
19. Пылесборник
20. Защитный кожух пильного полотна
21. Переключатель ВКЛ/ВЫКЛ лазера
22. Транспортный предохранитель
23. Винт ограничения глубины резания
24. Зажимное устройство
25. Винт фиксации угла наклона
26. Аккумулятор
27. Фиксатор вала(шпинделя) пилы.

**Технические данные**

Модель	PMS20H-210B
Номинальное напряжение	DC 20В
Частота вращения, об/мин	4200 об/мин
Диаметр пильного диска	$\varnothing 210$ мм (8-1/4")
Вес	5,7 кг

**Комплект поставки**

Пила торцовочная аккумуляторная	1 шт
Пильный диск	1 шт
Пылесборник	1 шт
Ключ шестигранный	1 шт
Инструкция пользователя	1 шт

**Примечание**

В тексте и цифровых обозначениях инструкции могут быть допущены технические ошибки и опечатки.

Так как изделие постоянно совершенствуется, P.I.T. оставляет за собой право на внесение изменений в указанные здесь технические характеристики и комплектацию изделия без предварительного уведомления.

**Сборка**

► **Перед любыми манипуляциями с электроинструментом отсоедините аккумулятор.**

Указание: Проверьте электроинструмент на предмет возможных повреждений.

Перед использованием электроинструмента следует тщательно проверить защитные устройства или компоненты с возможностью легкого повреждения на предмет безупречной и соответствующей назначению функции. Проверьте безупречную функцию, свободный ход и исправность подвижных частей. Все части должны быть правильно установлены и выполнять все условия для

обеспечения безупречной работы.

Поврежденные защитные устройства и компоненты должны быть отремонтированы квалифицированным персоналом в авторизованной специализированной мастерской или заменены.

### **Зарядка аккумулятора**

► **Пользуйтесь только зарядными устройствами, указанными в технических параметрах.** Только эти зарядные устройства пригодны для литий-ионного аккумулятора Вашего электроинструмента.

**Указание:** Аккумуляторная батарея поставляется в частично заряженном состоянии. Для обеспечения полной мощности аккумулятора зарядите его полностью перед первым применением. Литий-ионный аккумулятор может быть заряжен в любое время без сокращения срока службы. Прекращение процесса зарядки не наносит вреда аккумулятору. Литий-ионная аккумуляторная батарея защищена от глубокой разрядки. Защитная схема выключает электроинструмент при разряженном аккумуляторе – рабочий инструмент останавливается.

► **После автоматического выключения электроинструмента не нажимайте больше на выключатель.** Аккумулятор может быть поврежден.

**Учитывайте указания по утилизации.**

### **Извлечение аккумулятора**

Аккумулятор оснащен двумя ступенями фиксирования, призванными предотвращать выпадение аккумулятора при непреднамеренном нажатии на кнопку разблокировки. Пока аккумулятор находится в электроинструменте, пружина держит его в соответствующем положении.

Чтобы извлечь аккумуляторную батарею, нажмите на кнопку разблокировки и извлеките аккумулятор из электроинструмента. Не применяйте при этом силы.

### **Индикатор заряженности аккумуляторной батареи**

Зеленые светодиоды на индикаторе заряженности аккумулятора показывают уровень его заряда. По причинам безопасности индикатор заряженности активен только в состоянии покоя электроинструмента.

Нажмите кнопку индикатора заряженности аккумулятора чтобы отобразить степень заряженности аккумуляторной батареи. Это возможно также и при извлеченной

аккумуляторной батарее. Если после нажатия на кнопку индикатора заряженности аккумуляторной батареи не загорается ни один светодиодный индикатор, аккумулятор неисправен и должен быть заменен.

### **Работа и значение элементов индикатора зарядного устройства**

1. Зарядное устройство включено в сеть - светится зеленый индикатор
2. При установке аккумулятора на заряд - моргает зеленый индикатор
3. При полной зарядке аккумулятора - зеленый индикатор начинает светиться постоянно
4. При неисправности зарядного устройства или аккумулятора моргает красный индикатор.

### **Собственная система пылеудаления (см. рис. А)**

Для простого сбора стружки применяйте поставляемый пылесборный мешок.

- Наденьте мешок для пыли на патрубок для выброса опилок.
- Во время работы мешок для пыли не должен соприкасаться с подвижными частями инструмента.
- Своевременно опорожняйте мешок для пыли.

► **Проверяйте и очищайте пылесборный мешок каждый раз после использования.**

### **Внешняя система пылеудаления**

Для пылеудаления к патрубку для выброса опилок можно присоединить всасывающий шланг пылесоса.

- Присоедините всасывающий шланг пылесоса к патрубку для выброса опилок.
- Пылесос должен быть пригоден для обрабатываемого материала.
- Применяйте специальный пылесос для удаления особо вредных для здоровья видов пыли возбудителей рака или сухой пыли.

### **Замена пильного диска**

► **При установке пильного диска надевайте защитные перчатки. Прикосновение к пильному диску может привести к травме.**

**Монтаж с помощью винта с внутренним шестигранником (см. рис. B-D)**

#### **Демонтаж пильного диска**

- Приведите электроинструмент в рабочее положение.
- Поверните винт с внутренним шестигранником с помощью ключа-шести-

граники и одновременно прижмите фиксатор шпинделя, чтобы он вошел в зацепление.

- Держите фиксатор шпинделя нажатым и одновременно выверните винт по часовой стрелке (левая резьба!).
- Снимите зажимной фланец.
- Откиньте маятниковый защитный кожух до упора назад.
- Удерживайте маятниковый защитный кожух в этом положении и снимите пильный диск.
- Медленно отведите маятниковый кожух назад.

#### Монтаж пильного диска

► Следите за тем, чтобы направление резания зубьев (стрелка на пильном диске) совпадало с направлением стрелки на маятниковом защитном кожухе!

При необходимости очистите перед монтажом все монтируемые части.

- Отклоните маятниковый защитный кожух до упора назад и удерживайте его в этом положении.
- Насадите новый пильный диск на внутренний зажимной фланец.
- Медленно отведите маятниковый кожух назад.
- Поставьте зажимной фланец и винт. Нажмите фиксатор шпинделя, чтобы он вошел в зацепление, и затяните винт против часовой стрелки.

#### Работа с инструментом

Транспортный предохранитель (см. рис. E)

Транспортный предохранитель облегчает транспортировку электроинструмента к различным местам работы.

**Снятие транспортного предохранителя (рабочее положение)**

- Прижмите режущий блок за рукоятку слегка вниз, чтобы снять нагрузку с транспортного предохранителя.
- Вытяните транспортный предохранитель полностью наружу.
- Осторожно поднимите режущий блок.

**Активирование транспортного предохранителя (транспортное положение)**

- Поверните режущий блок за рукоятку вниз настолько, чтобы транспортный предохранитель можно было полностью вдавить.
- Режущий блок надежно зафиксирован в транспортном положении.

#### Настройка горизонтального и вертикального угла распила

**Настройка горизонтального угла распила (см. рис. F)**

Горизонтальный угол распила можно регулировать в широком диапазоне.

- Используйте ручку, чтобы повернуть стол пилы влево или вправо, затем используйте индикатор угла пилы, чтобы установить желаемый горизонтальный угол.

**Настройка вертикального угла распила (см. рис. G)**

Режущий блок имеет возможность установки заданного угла наклона относительно вертикальной оси, в положении от 0 до 45 град.

- для установки угла наклона необходимо ослабить стопорный винт, установить необходимый угол распила и надёжно зафиксировать стопорный винт.

#### Включение электроинструмента

- Для включения электроинструмента нажмите сначала блокиратор выключателя. **Затем** полностью нажмите выключатель и удерживайте его нажатым.

**Указание:** Из соображений безопасности выключатель не может быть зафиксирован и при работе следует постоянно нажимать на него.

#### Выключение

- Для выключения отпустите выключатель.

#### Указания по применению

**Разметка линии реза (см. рис. H)**

Луч лазера указывает на линию разреза пильного диска.

Это позволяет очень точно располагать заготовку для раскроя, при этом не требуется открывать маятниковый защитный кожух.

- Для этого включите лазерный луч, коротко нажав на выключатель.
- Выровняйте разметку на заготовке по правой кромке лазерной линии.

**Указание:** Перед началом пиления проверьте, правильно ли указывается линия распила. При интенсивной эксплуатации, напр., из-за вибрации, настройка лазерного луча может сбиться.

**Смена вставки стола (см. рис. I)**

#### Закрепление заготовки

Для обеспечения оптимальной безопасности труда всегда закрепляйте заготовку.

Не обрабатывайте заготовки, размеры которых недостаточны для крепления.

- Крепко прижмите заготовку к упорным планкам.
- Вставьте прилагающуюся струбцину в одно из предусмотренных для нее отверстий.
- Отрегулируйте резьбовой стержень струбцины под высоту заготовки.
- Туго затяните резьбовой стержень, закрепив таким образом заготовку.

### Регулировка (ограничение) глубины пропила

Глубину пропила можно регулировать с помощью ограничителя глубины пропила:

- Закручивайте/выкручивайте винт для того, чтобы установить глубину резки.
- Проверьте регулировку посредством пробной резки.

### Специальные заготовки

Для обработки изогнутых или круглых заготовок Вы должны зафиксировать их с целью предотвращения скольжения. На линии реза не допускается возникновение зазора между заготовкой, упорной рейкой и столом.

При необходимости следует изготовить специальный крепеж.

### Основные настройки – контроль и коррекция

Для обеспечения точного распила после интенсивной работы нужно проверить исходные настройки электроинструмента и при необходимости подправить.

### Пиление

#### Общие указания для пиления

- ▶ До начала пиления всегда крепко затягивайте ручку фиксирования и зажимную ручку. Иначе пыльный диск может перекосяться в заготовке.
- ▶ Независимо от пропила, сначала Вы должны исключить возможность прикосновения пыльного диска к упорной планке, струбцинам или другим частям инструмента. Уберите возможные вспомогательные опоры или соответственным образом подгоните их.

Защищайте пыльные полотна от ударов и толчков. Не нажимайте сбоку на пыльный диск.

Распиливайте только материалы, допущенные в соответствии с назначением инструмента.

Не обрабатывайте покоробленные заготовки. Заготовка должна всегда иметь прямую кромку для прикладывания к упорной план-

ке.

Длинные и тяжелые заготовки нужно подпереть или подложить что-нибудь под них. Обеспечьте исправную функцию маятникового защитного кожуха и его свободное движение. При опускании режущего блока вниз маятниковый защитный кожух должен открываться. При поднятии режущего блока вверх маятниковый защитный кожух должен опять закрыться над пыльным диском и войти в зацепление в самом верхнем положении режущего блока.

### Распил (торцевание)

- Перед выполнением распила убедитесь, что подвижная упорная планка и пыльный диск не соприкасаются.
- Переместите режущий блок в верхнее положение.
- При необходимости установите желаемый горизонтальный и/или вертикальный угол распила.
- Крепко прижмите заготовку к упорным планкам.
- Закрепите заготовку в соответствии с размерами.
- Включите пилу.
- Медленно опустите режущий блок за рукоятку.
- Выполните рез с равномерной подачей.
- Выключите электроинструмент и подождите, пока пыльный диск полностью не остановится.
- Осторожно поднимите режущий блок.

Внимание! Внутренние пружины механизма возврата автоматически поднимают режущий блок в исходное положение. Не отпускайте рукоятку после завершения распила; вместо этого позвольте режущему блоку медленно двигаться вверх, оказывая при этом легкое встречное давление.

### Выверка указателя угла распила (горизонтального)(см. рис. J)

- Приведите электроинструмент в рабочее положение.
- Поверните поворотный стол до насечки 0°. Рычаг должен отчетливо войти в зацепление на насечке.

### Контроль

- Указатель угла распила должен находиться в одну линию с отметкой 0° на шкале.

### Настройка

- Ослабьте винт крепления указателя крестовидной отверткой и выровняйте индикатор угла по отметке 0°.
- Крепко затяните винт.

## Транспортировка (см. рис. К)

Перед транспортировкой электроинструмента выполните следующее:

- Зафиксируйте поворотный стол.
- Нажмите на режущий блок вниз и зафиксируйте транспортировочным предохранителем.
- Переносите оборудование за стационарный пильный стол.
- ▶ Переносите электроинструмент, взявшись за транспортировочные приспособления, никогда не используйте для этих целей защитные устройства.

## Техобслуживание и сервис

### Техобслуживание и очистка

- ▶ До начала работ по техобслуживанию, смене оснастки и т. д. а также при транспортировке и хранении извлекайте аккумулятор из устройства. При непреднамеренном включении возникает опасность травмирования.
- ▶ Для обеспечения качественной и безопасной работы содержите электроинструмент и вентиляционные прорези в чистоте.
- ▶ Маятниковый защитный кожух должен всегда свободно двигаться и самостоятельно закрываться. Поэтому всегда держите в чистоте участок вокруг маятникового защитного кожуха.
- ▶ После каждой рабочей операции удаляйте пыль и стружку струей сжатого воздуха или кисточкой.
- ▶ перед каждой работой проверяйте состояние пильного диска.

Если требуется поменять шнур, во избежание опасности обращайтесь на фирму P.I.T или в авторизованную сервисную мастерскую для электроинструментов P.I.T.

### Сервис

- ▶ Ремонт вашего электроинструмента поручайте только квалифицированному персоналу и только с применением оригинальных запасных частей. Этим обеспечивается безопасность электроинструмента.

Список авторизованных сервисных центров можно посмотреть на официальном сайте P.I.T. по ссылке: <https://pittools.ru/servises/>

### Хранение и транспортировка

Храните инструмент в закрытых помещениях с естественной вентиляцией в упаковке при температуре воздуха от 0°C до +50°C и влажности воздуха не более 80%.

Транспортировать продукцию можно

любым видом закрытого транспорта в упаковке производителя или без нее, с сохранением изделия от механических повреждений, атмосферных осадков. Перед транспортировкой извлеките сменный инструмент из электроинструмента.

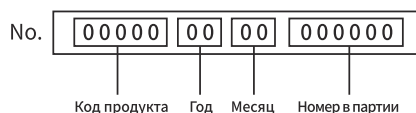
### Утилизация



Отслужившие свой срок электроинструменты, принадлежности и упаковку следует сдавать на экологически чистую переработку отходов.

Утилизируйте электроинструмент отдельно

### Расшифровка даты изготовления изделия



Дата изготовления изделия зашифрована в серийном номере, напечатанном на корпусе инструмента. Первые 2 цифры обозначают год выпуска, следующие 2 цифры – месяц.

### УСЛОВИЯ ГАРАНТИЙНОГО ОБСЛУЖИВАНИЯ

1. Настоящее гарантийное свидетельство является единственным документом, подтверждающим ваше право на бесплатное гарантийное обслуживание. Без предъявления данного свидетельства претензии не принимаются. В случае утери или порчи гарантийное свидетельство не восстанавливается.

2. Гарантийный срок указан в гарантийном сертификате. В течение гарантийного срока сервисная служба бесплатно устраняет производственные дефекты и производит замену деталей, вышедших из строя по вине изготовителя. На период гарантийного ремонта эквивалентный исправный инструмент не предоставляется. Заменяемые детали переходят в собственность службы сервиса.

Компания P.I.T. не несет ответственности за вред, который может быть причинен при работе с электроинструментом.

3. В гарантийный ремонт инструмент принимается в чистом виде, при обязательном наличии надлежащим образом оформленных документов: настоящего гарантийного свидетельства, гарантийного талона, с полностью заполненными полями, штампом торговой организации и подписью покупателя.

4. Гарантийный ремонт не производится в следующих случаях:

- при отсутствии гарантийного свидетельства и гарантийного талона или неправильном их оформлении;
- степень износа диаметра коллектора ротора двигателя превышает 0,4 мм (за исключением инструментов с бесщеточным двигателем);
- при совместном выходе из строя якоря и статора электродвигателя, при обугливании или оплавлении первичной обмотки трансформатора сварочного аппарата, зарядного или пуско-зарядного устройства, при оплавлении внутренних деталей, прожиге электронных плат и других случаях;
- если гарантийное свидетельство или талон не принадлежат данному электроинструменту или не соответствует установленному поставщиком образцу;
- по истечении срока гарантии;
- при попытках самостоятельного вскрытия или ремонта электроинструмента вне гарантийной мастерской;
- внесения конструктивных изменений и смазки инструмента в гарантийный период, о чем свидетельствуют, например, заломы на шлицевых частях крепежа корпусных деталей;
- при использовании электроинструмента в производственных или иных целях, связанных с получением прибыли, а также при возникновении неисправностей связанных с нестабильностью параметров электросети, превышающих нормы, установленные ГОСТ;
- при неправильной эксплуатации, использованию электроинструмента не по назначению, указанному в инструкции по эксплуатации, установки на электроинструмент не предназначенных заводом-изготовителем насадок, дополнительных приспособлений и т.п.;
- при механических повреждениях корпуса, сетевого шнура и при повреждениях, вызванных воздействиями агрессивных средств и высоких и низких температур, попадании инородных предметов в вентиляционные решетки электроинструмента, а также при повреждениях, наступивших в результате неправильного хранения (коррозия металлических частей);
- при естественном износе деталей электроинструмента, в результате длительной эксплуатации (определяется по признакам полной или частичной выработки ресурса,

- сильного загрязнения, ржавчины снаружи и внутри электроинструмента, отработанной смазки в редукторе);
  - при возникновении повреждений в связи с несоблюдением предостереженных инструкцией условий эксплуатации (см. главу «Указание по технике безопасности» в инструкции).
  - при повреждении изделия вследствие несоблюдения правил хранения и транспортировки;
  - при сильном внутреннем загрязнении инструмента;
  - при работе с перегрузкой бензоинструмента, изменении цвета чашки и муфты сцепления в результате перегрева;
  - при обрыве шнура стартера при условии исправности остальных деталей пускового устройства;
  - на все виды работ, выполняемые при периодическом техническом обслуживании (регулировки, чистке, замене расходных материалов и др.);
  - на неисправности, возникшие в результате нарушения требований и правил эксплуатации, установленным паспортом изделия. Например, перегрев изделия, несоблюдение требований к составу и качеству топливной смеси, повлекших выход из строя поршневой группы (безусловным признаком этого является залегание поршневого кольца и/или наличие царапин и потертостей на внутренней поверхности цилиндра и поверхности поршня, разрушение или оплавление опорных подшипников шатуна и поршневого пальца);
  - на внешние и внутренние загрязнения, царапины, трещины, повреждения, возникшие в процессе эксплуатации или транспортировки.
  - при работе электроинструментом с перегрузкой и заклиниванием оснастки, о чем свидетельствуют задиры, изменение цвета от температуры упорных и прижимных шайб, зажимного патрона, выхода из строя редуктора.
- Профилактическое обслуживание электроинструмента (чистка, промывка, смазка, замена пыльников, поршневых и уплотнительных колец) в гарантийный период является платной услугой.
- Срок службы изделия составляет 3 года.  
Срок хранения – 2 года. Не рекомендуется к эксплуатации по истечении 2 лет хранения с даты изготовления, которая указана в серийном номере на этикетке инструмента,

без предварительной проверки (определение даты выпуска смотрите ранее в Руководстве пользователя).

О возможных нарушениях, изложенных выше условий гарантийного обслуживания, владельцу сообщается после проведения диагностики в сервисном центре. Владелец инструмента доверяет проведение диагностики в сервисном центре в свое отсутствие.

Запрещается эксплуатация электроинструмента при проявлении признаков повышенного нагрева, искрения, а также шума в редукторной части. Для выяснения причин неисправности покупателю следует обратиться в гарантийную мастерскую.

Неисправности, вызванные несвоевременной заменой угольных щеток двигателя, устраняются за счет покупателя.

5.Гарантия не распространяется на:

- сменные принадлежности (аксессуары и оснастка), например: аккумуляторы, диски, ножи, сверла, буры, патроны, цепи, звездочки, цанговые зажимы, шины, элементы натяжения и крепления, головки триммеров, подошвы шлифовальных и ленточных машин, фильтры, головки шестигранные сменные насадки и т.п.

- быстроизнашивающиеся детали, например: угольные щетки, приводные ремни, сальники, защитные кожухи, направляющие ролики, направляющие, резиновые уплотнения, подшипники, зубчатые ремни и колеса, стволы, ленты тормоза, храповики и тросы стартеров, поршневые кольца и т.п.

Замена их в течение гарантийного срока является платной услугой.

- шнуры питания, в случае повреждения изоляции. В данном случае потребитель должен быть уведомлен и ремонт (услуга платная) должен быть выполнен после согласия потребителя. Если потребитель не согласен на замену, то в любом ремонте этого инструмента будет отказано. Факт отказа должен быть зафиксирован в гарантийном талоне или квитанции сервисного центра и подписан владельцем.



**ГАРАНТИЙНОЕ СВИДЕТЕЛЬСТВО НА ИНСТРУМЕНТ P.I.T.**

Наименование изделия \_\_\_\_\_

Серийный номер изделия □□□□□□□□□□

Серийный номер аккумулятора □□□□□□□□□□

Серийный номер зарядного устройства □□□□□□□□□□

Дата продажи « \_\_\_\_ » \_\_\_\_\_

Наименование торговой организации \_\_\_\_\_

Уважаемый покупатель!

М.П.

Благодарим Вас за покупку инструмента P.I.T. и надеемся, что Вы останетесь довольны своим выбором.

При необходимости обслуживания Вашего изделия обращайтесь в авторизованные сервисные центры P.I.T. Все сервисные центры представлены на сайте [www.pittools.ru](http://www.pittools.ru)

**Внимание!**

При покупке требуйте у продавца проверки работоспособности инструмента и его комплектности, а также заполнения гарантийного свидетельства, гарантийного талона (графы «Заполняются продавцом») и простановки печати торговой организации в гарантийном свидетельстве и гарантийных талонах.

**Гарантия**

На основании данного гарантийного свидетельства компания P.I.T. гарантирует отсутствие дефектов производственного характера.

Если в течение гарантийного срока в Вашем изделии обнаружатся указанные дефекты, то специализированные сервисные центры P.I.T. бесплатно отремонтируют изделие и заменят дефектные запасные части.

Гарантийный срок на электроинструменты P.I.T. составляет 12 месяцев со дня продажи.

«С условиями гарантийного обслуживания ознакомлен(а). Работоспособность и комплектность изделия проверены в моем присутствии. Претензий к качеству и внешнему виду не имею».

Подпись покупателя \_\_\_\_\_ Фамилия (разборчиво) \_\_\_\_\_

Телефон \_\_\_\_\_

# P.I.T. WARRANTY CARD

		<b>P.I.T.</b>		<b>№ 1</b>	
Name	Serial Number	Name	Serial Number	_____	_____
_____	_____	Serial Number	_____	_____	_____
Serial Number	Sale Date	Sale Date	_____	_____	_____
_____	_____ 20__	Sale Date	_____	_____	_____
Sale Date	Date of Receipt from Repair	(Filled out by a Seller)			Place of Seal
_____	_____ 20__	WARRANTY REPAIR CARD			
Date of Receipt from Repair	Date of Acceptance for Repair	Date of Acceptance for Repair	_____	_____	
_____	_____ 20__	Application for Repair	_____	_____	
	Application for Repair	Customer	_____	_____	
	Customer	Phone (Address)	_____	_____	
	Phone (Address)	Cause of Application	_____	_____	
	Cause of Application	Date of Receipt from Repair	_____	_____	
	Date of Receipt from Repair	The Tool is checked in my presence	_____	_____	
	The Tool is checked in my presence	(The Order shall be performed in a Service Center) (Signature)			
	(The Order shall be performed in a Service Center) (Signature)				

		<b>P.I.T.</b>		<b>№ 2</b>	
Name	Serial Number	Name	Serial Number	_____	_____
_____	_____	Serial Number	_____	_____	_____
Serial Number	Sale Date	Sale Date	_____	_____	_____
_____	_____ 20__	Sale Date	_____	_____	_____
Sale Date	Date of Receipt from Repair	(Filled out by a Seller)			Place of Seal
_____	_____ 20__	WARRANTY REPAIR CARD			
Date of Receipt from Repair	Date of Acceptance for Repair	Date of Acceptance for Repair	_____	_____	
_____	_____ 20__	Application for Repair	_____	_____	
	Application for Repair	Customer	_____	_____	
	Customer	Phone (Address)	_____	_____	
	Phone (Address)	Cause of Application	_____	_____	
	Cause of Application	Date of Receipt from Repair	_____	_____	
	Date of Receipt from Repair	The Tool is checked in my presence	_____	_____	
	The Tool is checked in my presence	(The Order shall be performed in a Service Center) (Signature)			
	(The Order shall be performed in a Service Center) (Signature)				

		<b>P.I.T.</b>		<b>№ 3</b>	
Name	Serial Number	Name	Serial Number	_____	_____
_____	_____	Serial Number	_____	_____	_____
Serial Number	Sale Date	Sale Date	_____	_____	_____
_____	_____ 20__	Sale Date	_____	_____	_____
Sale Date	Date of Receipt from Repair	(Filled out by a Seller)			Place of Seal
_____	_____ 20__	WARRANTY REPAIR CARD			
Date of Receipt from Repair	Date of Acceptance for Repair	Date of Acceptance for Repair	_____	_____	
_____	_____ 20__	Application for Repair	_____	_____	
	Application for Repair	Customer	_____	_____	
	Customer	Phone (Address)	_____	_____	
	Phone (Address)	Cause of Application	_____	_____	
	Cause of Application	Date of Receipt from Repair	_____	_____	
	Date of Receipt from Repair	The Tool is checked in my presence	_____	_____	
	The Tool is checked in my presence	(The Order shall be performed in a Service Center) (Signature)			
	(The Order shall be performed in a Service Center) (Signature)				

## ГАРАНТИЙНЫЙ ТАЛОН P.I.T.

P.I.T.

Талон № 1

Наименование \_\_\_\_\_

Серийный номер \_\_\_\_\_

Дата продажи « \_\_\_\_ » \_\_\_\_ 20\_\_

(Заполняется продавцом)

КАРТА ГАРАНТИЙНОГО РЕМОНА

Дата приема ремонт \_\_\_\_ 20\_\_

Заявка на ремонт \_\_\_\_\_

Заказчик \_\_\_\_\_

Телефон (адрес) \_\_\_\_\_

Причина обращения \_\_\_\_\_

Дата получения от ремонта \_\_\_\_ 20\_\_

Инструмент проверен в моем присутствии \_\_\_\_\_

(Заказ заполняется в Сервисном Центре) (Подпись)

Место печати  
или штампа

Наименование \_\_\_\_\_  
 Серийный номер \_\_\_\_\_  
 Дата продажи \_\_\_\_ 20\_\_  
 Дата получения от ремонта \_\_\_\_ 20\_\_

P.I.T.

Талон № 2

Наименование \_\_\_\_\_

Серийный номер \_\_\_\_\_

Дата продажи « \_\_\_\_ » \_\_\_\_ 20\_\_

(Заполняется продавцом)

КАРТА ГАРАНТИЙНОГО РЕМОНА

Дата приема ремонт \_\_\_\_ 20\_\_

Заявка на ремонт \_\_\_\_\_

Заказчик \_\_\_\_\_

Телефон (адрес) \_\_\_\_\_

Причина обращения \_\_\_\_\_

Дата получения от ремонта \_\_\_\_ 20\_\_

Инструмент проверен в моем присутствии \_\_\_\_\_

(Заказ заполняется в Сервисном Центре) (Подпись)

Место печати  
или штампа

Наименование \_\_\_\_\_  
 Серийный номер \_\_\_\_\_  
 Дата продажи \_\_\_\_ 20\_\_  
 Дата получения от ремонта \_\_\_\_ 20\_\_

P.I.T.

Талон № 3

Наименование \_\_\_\_\_

Серийный номер \_\_\_\_\_

Дата продажи « \_\_\_\_ » \_\_\_\_ 20\_\_

(Заполняется продавцом)

КАРТА ГАРАНТИЙНОГО РЕМОНА

Дата приема ремонт \_\_\_\_ 20\_\_

Заявка на ремонт \_\_\_\_\_

Заказчик \_\_\_\_\_

Телефон (адрес) \_\_\_\_\_

Причина обращения \_\_\_\_\_

Дата получения от ремонта \_\_\_\_ 20\_\_

Инструмент проверен в моем присутствии \_\_\_\_\_

(Заказ заполняется в Сервисном Центре) (Подпись)

Место печати  
или штампа

Наименование \_\_\_\_\_  
 Серийный номер \_\_\_\_\_  
 Дата продажи \_\_\_\_ 20\_\_  
 Дата получения от ремонта \_\_\_\_ 20\_\_



# P.I.T.

## Media account

---

 [pit\\_global](#)  [PIT Global](#)  [YouTube](#) [PIT Global](#)

 [bod@pit-tools.com](mailto:bod@pit-tools.com)  [www.pit-tools.com](http://www.pit-tools.com)

**Сделано в КНР / Made in China**