



STATUS®

EN

Cordless drill/driver

Original instructions

DE

AKKU-BOHRSCHRAUBER

Istruzioni originali

IT

AVVITATORE / TRAPANO A BATTERIA

Originalbetriebsanleitung

BG

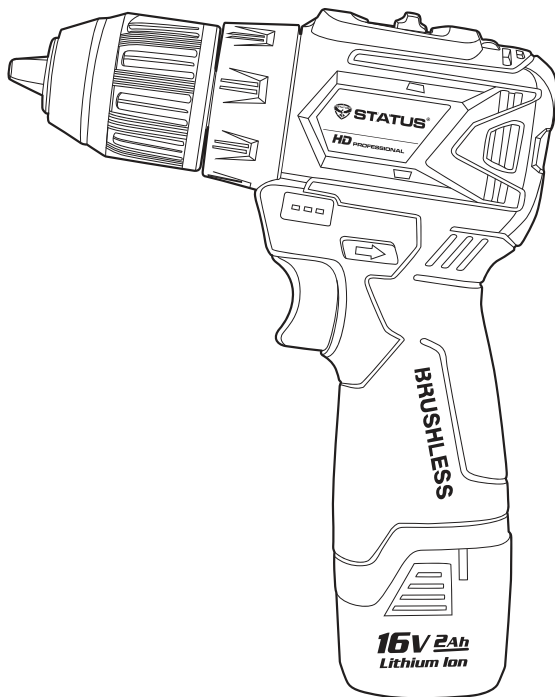
АКУМУЛАТОРНА БОРМАШИНА / ВИНТОВЕРТ

Оригинална инструкция за използване

RU

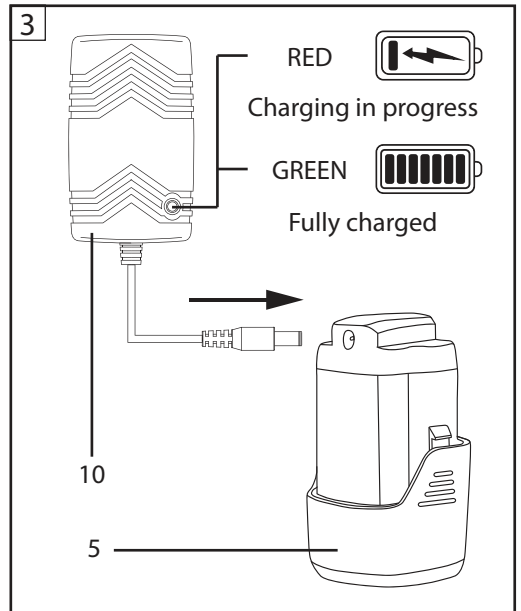
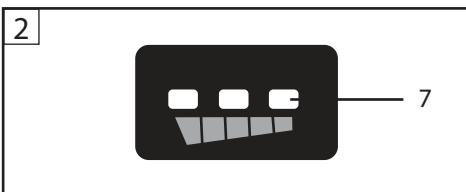
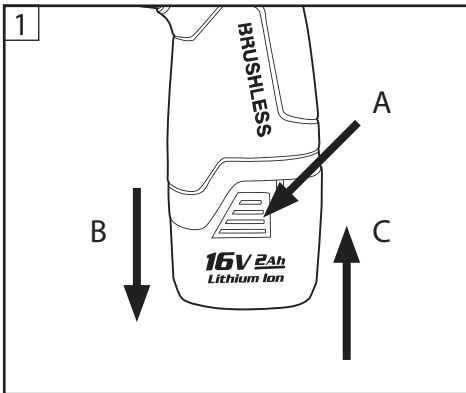
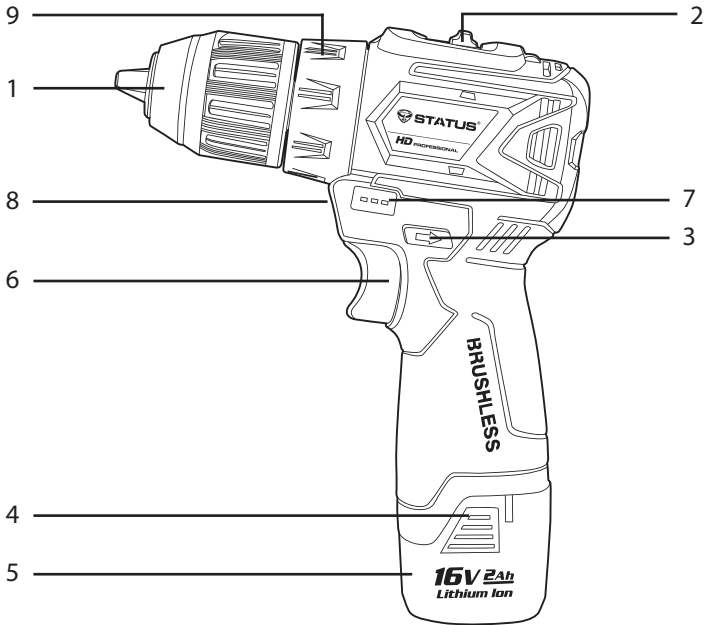
АККУМУЛЯТОРНАЯ ДРЕЛЬ / ШУРУПОВЕРТ

Оригинальная инструкция по эксплуатации



CBL16-2Li





INTENDED USE

GENERAL SAFETY RULES

INTENDED USE

The tool is intended for driving in and loosening screws as well as for drilling in wood, metal, ceramic and plastic.

GENERAL SAFETY RULES

WORK AREA

- **Keep work area clean and well lit.** *Cluttered and dark areas invite accidents.*
- **Do not operate power tools in explosive atmospheres, such as in the presence of flammable liquids, gases or dust.** *Power tools create sparks which may ignite the dust or fumes.*
- **Keep children and bystanders away while operating a power tool.** *Distractions can cause you to lose control.*

ELECTRICAL SAFETY

- **Power tool plugs must match the outlet. Never modify the plug in any way. Do not use any adapter plugs with earthed (grounded) power tools.** *Unmodified plugs and matching outlets will reduce risk of electric shock.*
- **Avoid body contact with earthed or grounded surfaces such as pipes, radiators, ranges and refrigerators.** *There is an increased risk of electric shock if your body is earthed or grounded.*
- **Do not expose power tools to rain or wet conditions.** *Water entering a power tool will increase the risk of electric shock.*
- **Do not abuse the cord. Never use the cord for carrying, pulling or unplugging the power tool. Keep cord away from heat, oil, sharp edges or moving parts.** *Damaged or entangled cords increase the risk of electric shock.*
- **When operating a power tool outdoors, use an extension cord suitable for outdoor use.** *Use of a cord suitable for outdoor use reduces the risk of electric shock.*
- **Connect the electric power tool to electricity, using a 16 A maximum secure contact protected outlet (220-240V~, 50 Hz).** *We recommend you to attach a residual current circuit-breaker (RCD) that does not exceed 30mA.*

PERSONAL SAFETY

- **Stay alert, watch what you are doing and use common sense when operating a power tool. Do not use a power tool while you are tired or under the influence of drugs, alcohol or medication.** *A moment of inattention while operating power tools may result in serious personal injury.*
- **Use safety equipment. Always wear eye protection.** *Safety equipment such as dust mask, non-skid safety shoes, hard hat, or hearing protection used for appropriate conditions will reduce personal injuries.*

GENERAL SAFETY RULES

- **Avoid accidental starting.** Ensure the switch is in the off position before plugging in. *Carrying power tools with your finger on the switch or plugging in power tools that have the switch on invites accidents.*
- **Remove any adjusting key or wrench before turning the power tool on.** *A wrench or a key left attached to a rotating part of the power tool may result in personal injury.*
- **Do not overreach. Keep proper footing and balance at all times.** *This enables better control of the power tool in unexpected situations.*
- **Dress properly. Do not wear loose clothing or jewellery. Keep your hair, clothing and gloves away from moving parts.** *Loose clothes, jewellery or long hair can be caught in moving parts.*
- **If devices are provided for the connection of dust extraction and collection facilities, ensure these are connected and properly used.** *Use of these devices can reduce dust related hazards.*

POWER TOOL USE AND CARE

- **Do not force the power tool. Use the correct power tool for your application.** *The correct power tool will do the job better and safer at the rate for which it was designed.*
- **Do not use the power tool if the switch does not turn it on and off.** *Any power tool that cannot be controlled with the switch is dangerous and must be repaired.*
- **Disconnect the plug from the power source before making any adjustments, changing accessories, or storing power tools.** *Such preventive safety measures reduce the risk of starting the power tool accidentally.*
- **Store idle power tools out of the reach of children and do not allow persons unfamiliar with the power tool or these instructions to operate the power tool.** *Power tools are dangerous in the hands of untrained users.*
- **Maintain power tools. Check for misalignment or binding of moving parts, breakage of parts and any other condition that may affect the power tools operation. If damaged, have the power tool repaired before use.** *Many accidents are caused by poorly maintained power tools.*
- **Keep cutting tools sharp and clean.** *Properly maintained cutting tools with sharp cutting edges are less likely to bind and are easier to control.*
- **Use the power tool, accessories and tool bits etc. in accordance with these instructions, taking into account the working conditions and the work to be performed.** *Use of the power tool for operations different from those intended could result in a hazardous situation.*

SERVICE

- **Have your power tool serviced by a qualified repair person using only identical replacement parts.** *This will ensure that the safety of the power tool is maintained.*

ADDITIONAL SAFETY RULES FOR CORDLESS DRILLS / DRIVERS

Battery tool use and care

- Recharge only with the charger specified by the manufacturer. A charger that is suitable for one type of battery pack may create a risk of fire when used with another battery pack.
- Use power tools only with specifically designated battery packs. Use of any other battery packs may create a risk of injury and fire.
- When battery pack is not in use, keep it away from other metal objects, like paperclips, coins, keys, nails, screws or other small metal objects, that can make a connection from one terminal to another. Shorting the battery terminals together may cause burns or a fire.
- Under abusive conditions, liquid may be ejected from the battery; avoid contact. If contact accidentally occurs, flush with water. If liquid contacts eyes, additionally seek medical help.

ADDITIONAL SAFETY RULES FOR CORDLESS DRILLS / DRIVERS

- Be aware that this tool is always in an operating condition, because it does not have to be plugged into an electrical outlet. Always set the trigger switch to the locked OFF position when installing or removing the battery pack.
- Wear ear protectors when impact drilling. Exposure to noise can cause hearing loss.
- Use the auxiliary handle if supplied with the machine. Loss of control can cause personal injury.
- Hold the power tool by insulated gripping surfaces when performing an operation where the cutting accessory or the fastener may contact hidden wiring. Contact with a "live" wire will make exposed metal parts of the power tool "live" and shock the operator.
- If possible, always use clamps or a vice to hold your work.
- Do not touch the bit after operation. It will be very hot.
- When using the drill, use safety equipment including safety glasses and ear defenders. Wear a dust mask if the drilling operation creates dust.
- The dust, separated while processing materials, containing quartz (SiO₂) is dangerous to your health. Do not process materials containing asbestos.
- The tool must be used only for its prescribed purpose. Any use other than those mentioned in this Manual will be considered a case of misuse. The user and not the manufacturer shall be liable for any damage or injury resulting from such cases of misuse.

KNOW YOUR PRODUCT OPERATION

- To use this tool properly, you must observe the safety regulations, the assembly instructions and the operating instructions to be found in this Manual. All persons who use and service the machine have to be acquainted with this Manual and must be informed about its potential hazards. Children and frail people must not use this tool. Children should be supervised at all times if they are in the area in which the tool is being used. It is also imperative that you observe the accident prevention regulations in force in your area. The same applies for general rules of occupational health and safety.
- The manufacturer shall not be liable for any changes made to the tool nor for any damage resulting from such changes.

Even when the tool is used as prescribed it is not possible to eliminate all residual risk factors. The following hazards may arise in connection with the tool's construction and design:

- Damage to the lungs if an effective dust mask is not worn.
- Damage to hearing if effective ear defenders are not worn.
- Power tools must not be used outdoors in rainy weather, or in moist environment (after rain) or in close vicinity with easily flammable liquids and gases. The working place should be well lit.

KNOW YOUR PRODUCT

- | | |
|---------------------------|-----------------------------|
| 1. Keyless chuck | 7. Battery state indicator |
| 2. Speed selector switch | 8. LED light |
| 3. Forward/reverse switch | 9. Torque adjustment collar |
| 4. Battery release button | 10. Charger |
| 5. Battery | |
| 6. ON/OFF trigger switch | |

OPERATION

CHARGING BATTERY PACK (Fig. 3)

Lights	Status
Green on	Plugged in / Fully charged
Red on	Charging in progress

FITTING AND REMOVING THE BATTERY PACK

To remove the battery: Press release button (4) in the indicated direction (A) and pull the battery out of the machine body. (B)

WARNING: Always set the forward/reverse switch (3) in central position before any work on the machine e. g. fitting and removing a battery, tool change, transport, maintenance and storage.

To insert the battery: Place the battery into the base of the machine and slide it until it locks with an audible click. (C)

BATTERY STATE INDICATION

The battery state during operation can be checked on the LED display (7) by pressing the *On/off switch (6)*.

Depending on the number of illuminated LEDs the battery state is as follows:

3 LEDs are burning - the level of charge is 100%.

2 LEDs are burning - the level of charge is 40-70%.

1 LED is on - charge level is 25-30%.

LED WORK AREA LIGHT

The machine is equipped with LED light (8) to illuminate the work area and improve visibility when drilling in areas with insufficient light. To turn the LED light on press the trigger of switch (6).

REVERSING

The extreme position of forward/reverse switch (3) to the right right (viewed from the rear) is equivalent to anticlockwise rotation, the extreme position to the left - to clockwise rotation. With the ON/OFF switch (3) in neutral position, switch (6) cannot be pressed and the machine cannot be operated.

WARNING: Reversing can be performed only when the spindle is not rotating!

Drilling and tightening screws are performed with lever in extreme position to the left.

Removal of screws is performed with lever in extreme position to the right.

SWITCHING ON - SWITCHING OFF

Switching on: press ON/OFF switch (6).

Switching off: release ON/OFF switch (6).

This power tool is equipped with electric brake. The spindle stops rotating immediately after releasing the switch lever.

ADJUSTING THE TORQUE

Rotate the torque adjustment collar (9) behind the chuck, to adjust the torque to each of 20 settings. The range of 20 torque settings allows better control when using the drill as a screwdriver thus preventing over-tightening of the screws. The numbers circling the collar are used to indicate the level of torque. The larger the number on the collar, the higher the torque. To select any of the numbers, rotate the collar (9) until the desired number aligns with the arrow head indicator on the housing of the machine.

MAINTENANCE, SPECIFICATIONS ACCESSORIES, CE DECLARATION OF CONFORMITY

SPEED SELECTOR SWITCH

The two-speed selector switch (2) enables you to select the appropriate gear with the optimum speed and torque to suit the application.

WARNING: When changing the gear ensure the drill is switched off.

To select the low gear (low speed, high torque setting), push the gear selector (2) backward. The digit 1 on the switch will be displayed.

To select the high gear (high speed, low torque setting), push the gear selector (2) forward. The digit 2 on the switch will be displayed.

INSERTING AND REMOVING BITS

WARNING: Remove the battery or set the forward/reverse switch (3) in central (neutral) position. The drill is fitted with auto spindle lock which means if you try to rotate the chuck by hand the spindle will automatically lock. This means you only need to grasp the chuck and rotate the chuck housing to remove or fit accessories.

- Hold the machine with one hand and rotate the chuck with the other hand.

- To open the chuck, rotate it anti-clockwise.

- To close the chuck, rotate it clockwise.

- Insert the bit.

- Close the chuck.

- Perform a test run to check that the bit is properly clamped in the centre.

MAINTENANCE

Your tool requires no additional lubrications or maintenance. There are no user serviceable parts in your tool, battery pack or charger. Never use water or chemical cleaners to clean your tool. Wipe clean with a dry cloth. Always store your tool in a dry place. Keep the motor ventilation slots clean.

CE DECLARATION OF CONFORMITY

SPECIFICATIONS

Model	CBL16-2Li
Rated voltage	16 V
Charger voltage	220-240V~50Hz
No load speed	0-400/0-1400 RPM
Torque setting steps	20+1
Torque (hard/soft)	45/30 Nm
Chuck size (max.)	13 mm
Battery	Li-Ion, 2 Ah
Charging time	120 min
Weight	1 kg
A-weighted sound pressure level LpA	<70 dB(A)
A-weighted sound power level LwA	90 dB(A)
Vibration emission value ah	5,3 m/s ²
Includes	Drill-driver, charger, battery (2 pc.), instruction manual

The manufacturer reserves the right to make changes and improvements to the products and to alter specifications without prior notice.

CE DECLARATION OF CONFORMITY

We STATUS ITALIA S.R.L. as the responsible manufacturer declare that the following STATUS machine(s): Cordless Drill/Driver Model No./ Type: CBL16-2Li is of series production and conforms to the following European Directives: 2014/30/EU, 2006/42/EC.

And are manufactured in accordance with the following standards or standardised documents: EN 55014-1:2017, EN 55014-2:2015, EN ISO12100, EN 62841-1, EN 62841-2-1:2018.

The technical documentation kept by the manufacturer: STATUS ITALIA S.R.L., via Aldo Moro, 14/A, 36060 - Pianezze (VI), ITALY



Caron Giacinto
Director
STATUS ITALIA S.r.l.

VERWENDUNGSZWECK

ALLGEMEINE SICHERHEITSHINWEISE FÜR ELEKTROWERKZEUGE

VERWENDUNGSZWECK

Das Werkzeug dient zum Eintreiben und Lösen von Schrauben sowie zum Bohren von Holz, Metall, Keramik und Kunststoff.

ALLGEMEINE SICHERHEITSHINWEISE FÜR ELEKTROWERKZEUGE

ARBEITSPLATZSICHERHEIT

- Halten Sie Ihren Arbeitsbereich sauber und gut beleuchtet. *Unordnung oder unbeleuchtete Arbeitsbereiche können zu Unfällen führen.*
- Arbeiten Sie mit dem Elektrowerkzeug nicht in explosionsgefährdeter Umgebung, in der sich brennbare Flüssigkeiten, Gase oder Stäube befinden. *Elektrowerkzeuge erzeugen Funken, die den Staub oder die Dämpfe entzünden können.*
- Halten Sie Kinder und andere Personen während der Benutzung des Elektrowerkzeugs fern. *Bei Ablenkung können Sie die Kontrolle über das Gerät verlieren.*

ELEKTRISCHE SICHERHEIT

- Der Anschlussstecker des Elektrowerkzeuges muss in die Steckdose passen. Der Stecker darf in keiner Weise verändert werden. Verwenden Sie keine Adapterstecker gemeinsam mit schutzgeerdeten Elektrowerkzeugen. *Unveränderte Stecker und passende Steckdosen verringern das Risiko eines elektrischen Schlages.*
- Vermeiden Sie Körperkontakt mit geerdeten Oberflächen wie von Rohren, Heizungen, Herden und Kühlschränken. *Es besteht ein erhöhtes Risiko durch elektrischen Schlag, wenn Ihr Körper geerdet ist.*
- Halten Sie Elektrowerkzeuge von Regen oder Nässe fern. *Das Eindringen von Wasser in ein Elektrowerkzeug erhöht das Risiko eines elektrischen Schlages.*
- Zweckentfremden Sie das Kabel nicht, um das Elektrowerkzeug zu tragen, aufzuhängen oder um den Stecker aus der Steckdose zu ziehen. Halten Sie das Kabel fern von Hitze, Öl, scharfen Kanten oder sich bewegenden Geräteteilen. *Beschädigte oder verwickelte Kabel erhöhen das Risiko eines elektrischen Schlages.*
- Wenn Sie mit einem Elektrowerkzeug im Freien arbeiten, verwenden Sie nur Verlängerungskabel, die auch für den Außenbereich geeignet sind. *Die Anwendung eines für den Außenbereich geeigneten Verlängerungskabels verringert das Risiko eines elektrischen Schlages.*
- Wenn der Betrieb des Elektrowerkzeuges in feuchter Umgebung nicht vermeidbar ist, verwenden Sie einen Fehlerstromschutzschalter. *Der Einsatz eines Fehlerstromschutzschalters vermindert das Risiko eines elektrischen Schlages.*

SICHERHEIT VON PERSONEN

- Seien Sie aufmerksam, achten Sie darauf, was Sie tun, und gehen Sie mit Vernunft an die Arbeit mit einem Elektrowerkzeug. Benutzen Sie kein Elektrowerkzeug, wenn Sie müde sind oder unter dem Einfluss von Drogen, Alkohol oder Medikamenten stehen. *Ein Moment der Unachtsamkeit beim Gebrauch des Elektrowerkzeuges kann zu ernsthaften Verletzungen führen.*

ALLGEMEINE SICHERHEITSHINWEISE FÜR ELEKTROWERKZEUGE

- **Tragen Sie persönliche Schutzausrüstung und immer eine Schutzbrille.** *Das Tragen persönlicher Schutzausrüstung, wie Staubmaske, rutschfeste Sicherheitsschuhe, Schutzhelm oder Gehörschutz, je nach Art und Einsatz des Elektrowerkzeuges, verringert das Risiko von Verletzungen.*
- **Vermeiden Sie eine unbeabsichtigte Inbetriebnahme. Vergewissern Sie sich, dass das Elektrowerkzeug ausgeschaltet ist, bevor Sie es an die Stromversorgung und/oder den Akku anschließen, es aufnehmen oder tragen.** *Wenn Sie beim Tragen des Elektrowerkzeuges den Finger am Schalter haben oder das Gerät eingeschaltet an die Stromversorgung anschließen, kann dies zu Unfällen führen.*
- **Entfernen Sie Einstellwerkzeuge oder Schraubenschlüssel, bevor Sie das Elektrowerkzeug einschalten.** *Ein Werkzeug oder Schlüssel, der sich in einem drehenden Geräteteil befindet, kann zu Verletzungen führen.*
- **Vermeiden Sie eine abnormale Körperhaltung. Sorgen Sie für einen sicheren Stand und halten Sie jederzeit das Gleichgewicht.** *Dadurch können Sie das Elektrowerkzeug in unerwarteten Situationen besser kontrollieren.*
- **Tragen Sie geeignete Kleidung. Tragen Sie keine weite Kleidung oder Schmuck. Halten Sie Haare, Kleidung und Handschuhe fern von sich bewegenden Teilen.** *Lockere Kleidung, Schmuck oder lange Haare können von sich bewegenden Teilen erfasst werden.*
- **Wenn Staubabsaug- und -auffangeinrichtungen montiert werden können, vergewissern Sie sich, dass diese angeschlossen sind und richtig verwendet werden.** *Verwendung einer Staubabsaugung kann Gefährdungen durch Staub verringern.*

VERWENDUNG UND BEHANDLUNG DES ELEKTROWERKZEUGES

- **Überlasten Sie das Gerät nicht. Verwenden Sie für Ihre Arbeit das dafür bestimmte Elektrowerkzeug.** *Mit dem passenden Elektrowerkzeug arbeiten Sie besser und sicherer im angegebenen Leistungsbereich.*
- **Benutzen Sie kein Elektrowerkzeug, dessen Schalter defekt ist.** *Ein Elektrowerkzeug, das sich nicht mehr ein- oder ausschalten lässt, ist gefährlich und muss repariert werden.*
- **Ziehen Sie den Stecker aus der Steckdose und/oder entfernen Sie den Akku, bevor Sie Geräteeinstellungen vornehmen, Zubehörteile wechseln oder das Gerät weglegen.** *Diese Vorsichtsmaßnahme verhindert den unbeabsichtigten Start des Elektrowerkzeuges.*
- **Bewahren Sie unbenutzte Elektrowerkzeuge außerhalb der Reichweite von Kindern auf. Lassen Sie Personen das Gerät nicht benutzen, die mit diesem nicht vertraut sind oder diese Anweisungen nicht gelesen haben.** *Elektrowerkzeuge sind gefährlich, wenn Sie von unerfahrenen Personen benutzt werden.*
- **Pflegen Sie Elektrowerkzeuge mit Sorgfalt. Kontrollieren Sie, ob bewegliche Teile einwandfrei funktionieren und nicht klemmen, ob Teile gebrochen oder so beschädigt sind, dass die Funktion des Elektrowerkzeuges beeinträchtigt ist. Lassen Sie beschädigte Teile vor dem Einsatz des Gerätes reparieren.** *Viele Unfälle haben ihre Ursache in schlecht gewarteten Elektrowerkzeugen.*

ZUSÄTZLICHESICHERHEITSHINWEISEFÜR DIE ARBEIT MITAKKU-BOHRSCHRAUBERN

- Halten Sie Schneidwerkzeuge scharf und sauber. *Sorgfältig gepflegte Schneidwerkzeuge mit scharfen Schneidkanten verkleben sich weniger und sind leichter zu führen.*
- Verwenden Sie Elektrowerkzeug, Zubehör, Einsatzwerkzeuge usw. entsprechend diesen Anweisungen. Berücksichtigen Sie dabei die Arbeitsbedingungen und die auszuführende Tätigkeit. *Der Gebrauch von Elektrowerkzeugen für andere als die vorgesehenen Anwendungen kann zu gefährlichen Situationen führen.*

VERWENDUNG UND BEHANDLUNG DES AKKUWERKZEUGS

- Laden Sie die Akkus nur in Ladegeräten auf, die vom Hersteller empfohlen werden. Für ein Ladegerät, das für eine bestimmte Art von Akkus geeignet ist, besteht Brandgefahr, wenn es mit anderen Akkus verwendet wird.
- Verwenden Sie nur die dafür vorgesehenen Akkus in den Elektrowerkzeugen. Der Gebrauch von anderen Akkus kann zu Verletzungen und Brandgefahr führen.
- Halten Sie den nicht benutzten Akku fern von Büroklammern, Münzen, Schlüsseln, Nägeln, Schrauben oder anderen kleinen Metallgegenständen, die eine Überbrückung der Kontakte verursachen könnten. Ein Kurzschluss zwischen den Akkukontakten kann Verbrennungen oder Feuer zur Folge haben.
- Bei falscher Anwendung kann Flüssigkeit aus dem Akku austreten. Vermeiden Sie den Kontakt damit. Bei zufälligem Kontakt mit Wasser abspülen. Wenn die Flüssigkeit in die Augen kommt, nehmen Sie zusätzlich ärztliche Hilfe in Anspruch. Austretende Akkuflüssigkeit kann zu Hautreizungen oder Verbrennungen führen.

SERVICE

- Lassen Sie Ihr Elektrowerkzeug nur von qualifiziertem Fachpersonal und nur mit Original-Ersatzteilen reparieren. Damit wird sichergestellt, dass die Sicherheit des Elektrowerkzeuges erhalten bleibt.

ZUSÄTZLICHESICHERHEITSHINWEISEFÜR DIE ARBEIT MITAKKU-BOHRSCHRAUBERN

- Beachten Sie bitte, dass das Werkzeug bei eingesetzter und geladener Batterie immer einsatzbereit ist, da es unabhängig vom Stromnetz arbeitet. Stellen Sie immer den Schalter auf die Stellung AUS, wenn Sie die Batterie einsetzen oder herausnehmen.
- Verwenden Sie Gehörschutzmittel beim Arbeiten mit Schlagbohrmaschinen. Intensiver Lärm am Arbeitsplatz kann zu Hörschäden leiten.
- Benutzen Sie immer den zusätzlichen Handgriff, wenn er mit der Maschine geliefert ist. Kontrollverlust kann zu Unfällen führen.
- Halten Sie das Gerät an den isolierten Griffflächen, wenn Sie Arbeiten ausführen, bei denen das Einsatzwerkzeug verborgene Stromleitungen treffen kann. Der Kontakt mit einer spannungsführenden Leitung kann metallene Geräteteile unter Spannung setzen und zu einem elektrischen Schlag führen.
- Wenn es möglich ist, verwenden Sie eine Klemme oder einen Schraubstock, um das zu bearbeitende Material zu fixieren.

ELEMENTE DES ELEKTROWERKZEUGS

- Unmittelbar nach der Arbeit mit der Bohrmaschine den Bohrer nicht berühren. Er ist sehr heiß.
- Wenn Sie mit einer Bohrmaschine arbeiten, verwenden Sie eine Schutzausrüstung, die Schutzbrille und Gehörschutz beinhaltet. Tragen Sie eine Staubschutzmaske, wenn sich beim Bohren Staub bildet.
- Der Staub, der sich beim Bohren von Materialien bildet, die Quarz enthalten (Siliziumdioxid), schadet Ihrer Gesundheit. Materialien, die Asbest enthalten dürfen nicht bearbeitet werden.
- Das Elektrowerkzeug darf nur für den entsprechenden Zweck verwendet werden. Jeder anderer Gebrauch, der sich von dem in dieser Gebrauchsanleitung beschriebenen Zwecken unterscheidet, wird als inkorrekt angesehen. Die Verantwortung für alle Schäden oder Verletzungen, die von einem inkorrekten Gebrauch verursacht werden, wird vom Verbraucher getragen und nicht vom Hersteller.
- Um mit diesem Elektrowerkzeug richtig zu arbeiten, müssen Sie die hier gegebenen Sicherheitshinweise, die allgemeinen Vorschriften und Arbeitshinweise befolgen. Alle Nutzer sollten diese Gebrauchsanleitung kennen und mit den potenziellen Risiken bei der Arbeit mit diesem Elektrowerkzeug bekannt gemacht werden. Kinder und körperlich schwache Personen dürfen mit dem Elektrowerkzeug nicht arbeiten. Kinder müssen unter ständiger Kontrolle sein, wenn sie sich in der Nähe befinden und man mit dem Elektrowerkzeug arbeitet. Es ist unbedingt notwendig, dass Sie die örtlichen Unfallverhütungsvorschriften beachten. Das gleiche gilt für die Vorschriften zur Arbeitssicherheit.
- Der Hersteller trägt keine Verantwortung für vom Verbraucher gemachte Änderungen am Elektrowerkzeug oder für Schäden, die von solchen Änderungen verursacht wurden.

Sogar, wenn das Elektrowerkzeug für die entsprechende Zwecke verwendet wird, ist es nicht möglich alle restlichen Risikofaktoren zu eliminieren. Die unten genannten Gefahren können im Zusammenhang mit den Konstruktionsbesonderheiten und dem Design des Elektrowerkzeugs entstehen.

- Lungenprobleme, wenn man keine effektive Staubschutzmaske verwendet.
- Hörprobleme, wenn man keinen effektiven Gehörschutz verwendet.
- Das Elektrowerkzeug darf nicht im Freien bei Regenwetter, in einer feuchten Umgebung (nach einem Regen) oder in der Nähe von leicht entzündbaren Flüssigkeiten und Gasen benutzt werden. Die Arbeitsstelle muss gut beleuchtet sein.

ELEMENTE DES ELEKTROWERKZEUGS

- | | |
|-----------------------------|---|
| 1. Schnellspann-Bohrfutter | 7. Leuchtdiodenanzeige der Batterie |
| 2. Gangumschalter | 8. Leuchtdiodenbeleuchtung des Arbeitsplatzes |
| 3. Drehrichtungs-Umschalter | 9. Drehmomentregler |
| 4. Taste für die Batterie | 10. Ladegerät |
| 5. Batterie | |
| 6. Schalter | |

ARBEITSHINWEISE

AKKU-PACK LADEN (siehe Abb. 3)

Licht	Status
Grün an	Eingesteckt / voll aufgeladen
Rot an	Ladevorgang läuft

EINSETZEN UND ENTFERNEN DER BATTERIE

Zum Entfernen der Batterie: Drücken Sie die Taste zum Freisetzen der Batterie (4) in die angegebene Richtung (A) und ziehen Sie die Batterie heraus.(B)

WARTUNG: Stellen Sie immer den Umschalter für Wechseln der Drehrichtung (3) in der Mittelposition bevor sie irgendwelche Arbeiten an dem Werkzeug durchzuführen, wie z.B. Einbauen und Laden der Batterie, Austausch eines Endstückes, Umtransportieren, Wartung oder Lagerung des Elektrowerkzeuges.

Zum Einsetzen der Batterie: Legen Sie die Batterie am unteren Ende des Elektrowerkzeuges ein und schieben Sie diese in die unten angegebene Pfeilrichtung bis Sie ein charakteristisches Knacken hören. (C)

ANZEIGEN DES BATTERIEZUSTANDS

Der Batteriezustand während des Betriebs kann auf der LED-Anzeige (7) durch Drücken der Schalter (6).

Abhängig von der Anzahl der beleuchteten LEDs ist der Batteriestatus wie folgt:

3 LEDs brennen - der Ladezustand beträgt 100%.

2 LEDs brennen - der Ladezustand beträgt 40-70%.

1 LED leuchtet - der Ladezustand beträgt 25-30%.

LEUCHTDIODENBELEUCHTUNG DES ARBEITSPLATZES

Das Elektrowerkzeug ist mit einer LED Beleuchtung (8) für die Ausleuchtung des Arbeitsbereiches und an schwach beleuchteten Orten ausgestattet. Die LED Beleuchtung ist eingeschaltet, wenn der Schalter (6) gedrückt ist.

WAHL DER DREHRICHTUNG

Position ganz rechts des Drehrichtungsumschalters (3) (von hinten gesehen) bedeutet Drehen entgegen dem Uhrzeigersinn, und die Position ganz links – im Uhrzeigersinn. Steht der Umschalter (3) in Neutral-Position, kann der Schalter (6) nicht betätigt und das Gerät nicht betätigt werden.

WARNUNG: Das Wechseln der Drehrichtung darf nur beim Stillstand der Spindel erfolgen. Zum Bohren von Löchern und zum Einschrauben von Schrauben schieben Sie den Umschalter nach links. Zum Lösen von Schrauben schieben Sie den Umschalter nach rechts.

EIN- UND AUSSCHALTEN

Einschalten: Schalter (6) drücken.

Ausschalten: Schalter (6) loslassen.

Das Elektrowerkzeug besitzt eine elektrische Motorbremse. Die Spindel stoppt sofort wenn Sie den Schalter loslassen.

REHMOMENTREGELUNG

Drehen Sie den Ring hinter dem Bohrfutter, um den Drehmomentregler (9) in eine der 20 Einstellungen und wählen Sie das für ihre Arbeit passende Drehmoment.

Die Einstellungen des Drehmomentreglers (9) erlauben eine bessere Kontrolle über das Elektrowerkzeug, wenn es als Schraubenzieher verwendet wird, wobei man auf dieser Weise ein zu starkes Eindrehen der Schrauben vermeidet.

Das Drehmoment wird mit einer der Zahlen, die um den Ring markiert sind, gekennzeichnet. Je größer die Zahl, die auf dem Ring markiert ist, desto höher ist das Drehmoment. Um das richtige Drehmoment zu wählen, drehen Sie den Ring bis die entsprechende Ziffer vor dem Pfeil auf dem Maschinengehäuse steht.

GANG UMSCHALTER

Der Zwei-Stufen-Umschalter für die Geschwindigkeit (2) erlaubt die Wahl des richtigen Ganges mit optimaler Geschwindigkeit und Drehmoment für die konkrete Anwendung.

WARNUNG: Wechseln Sie die Gänge nur bei ausgeschaltetem Werkzeug

Um einen niedrigen Gang zu wählen (niedrige Geschwindigkeit, hohes Drehmoment), schieben Sie den Gangumschalter (2) nach hinten. Umschalter markierte Ziffer 1 zeigt die gewählte Geschwindigkeit.

Um einen höheren Gang zu wählen (hohe Geschwindigkeit, niedriges Drehmoment), schieben Sie den Gangumschalter (2) nach vorn. Die auf dem Umschalter markierte Ziffer 2 zeigt die gewählte Geschwindigkeit.

EIN-UND AUSBAUEN EINES ARBEITS WERKZEUGES

WARNUNG: Nehmen Sie die Batterie heraus oder stellen Sie den Umschalter zum Wechseln der Drehrichtung (3) in die mittlere (neutralen) Position.

Der Bohrschrauber ist mit einer Selbstarretierspindel versehen. Das bedeutet, dass wenn Sie das Bohrfutter per Hand drehen wollen, die Spindel automatisch blockiert.

Um ein Werkzeug zu montieren oder zu demontieren oder seine Länge einzustellen müssen Sie das Bohrfutter festhalten und seinen Körper drehen.

- Greifen Sie die Maschine mit einer Hand ein und drehen Sie das Futter mit der anderen Hand.
- Um das Futter zu öffnen drehen Sie es im Gegenuhrzeigersinn.
- Um das Futter zu schliessen drehen Sie es im Uhrzeigersinn.
- Setzen Sie das Werkzeug in das Bohrfutter.
- Schliessen Sie das Futter.
- Lassen Sie den Bohrschrauber einen kurzen Moment ohne Belastung laufen um zu prüfen, ob das Arbeitswerkzeug richtig zentriert ist und korrekt und sicher sitzt.

TECHNISCHE DATEN KONFORMITÄTSERKLÄRUNG

WARTUNG

Ihr Werkzeug erfordert keine zusätzliche Schmierung oder Wartung. Es gibt keinen Benutzer zu wartende Teile in Ihrem Werkzeug, Akku oder Ladegerät. Verwenden Sie niemals Wasser oder Chemikalien Reiniger zum Reinigen Ihres Werkzeugs. Mit einem trockenen Tuch abwischen. Bewahren Sie Ihr Werkzeug immer in einem trockener Platz. Halten Sie die Motorlüftungsschlitze sauber.

TECHNISCHE DATEN

Modell	CBL16-2Li
Motor	16 V
Ladespannung	220-240V~50Hz
Leerlaufdrehzahl	0-400/0-1400 RPM
Drehmomenteinstellung	20+1
Drehmoment: (hart/weich)	45/30 Nm
Futtergröße (max.)	13 mm
Batterie	Li-Ion, 2 Ah
Ladezeit	120 min
Gewicht	1 kg
Der A-bewertete Schalldruckpegel LpA	<70 dB(A)
Der A-bewertete Schalleistungspegel LwA	90 dB(A)
Schwingungsemissionswert ah	5,3 m/s ²
Beinhaltet	Bohrschrauber, Ladegerät, Akku (2 Stk.)

Der Hersteller behält sich das Recht vor, Änderungen und Verbesserungen an den Produkten vorzunehmen und Spezifikationen ohne vorherige Ankündigung zu ändern.

KONFORMITÄTSERKLÄRUNG

Hiermit versichern wir unsere persönliche Haftung, dass Produkt im Abschnitt "Technische Daten" beschrieben allen einschlägigen Bestimmungen folgender Richtlinien und entsprechender harmonisierten Standards entspricht: EN 55014-1:2017, EN 55014-2:2015, EN ISO12100, EN 62841-1, EN 62841-2-1:2018; 2014/30/EU, 2006/42/EC.

Die technischen Unterlagen werden bei STATUS ITALIA S.R.L., via Aldo Moro, 14/A, 36060 - Pianezze (VI), ITALY



Caron Giacinto
Director STATUS ITALIA S.r.l.

USO PREVISTO

AVVERTENZE GENERALI DI PERICOLO PER ELETTROUTENSILI

USO PREVISTO

Lo strumento è progettato per avvitare e allentare viti, nonché per forare legno, metallo, ceramica e plastica.

AVVERTENZE GENERALI DI PERICOLO PER ELETTROUTENSILI

AREA DI LAVORO

- **Mantenere l'area di lavoro pulita e ben illuminata.** *Le zone buie ed ingombre di oggetti favoriscono incidenti.*
- **Non utilizzare l'utensile in presenza di liquidi infiammabili, gas o polvere.** *Le scintille generate potrebbero infiammare polvere e/o vapore.*
- **Tenere a distanza bambini e terzi durante il funzionamento.** *Per una distrazione potreste perdere il controllo dell'utensile.*

SICUREZZA ELETTRICA

- **La spina dell'utensile deve essere adatta alla presa utilizzata. Non modificare la spina in alcun modo. Non utilizzare adattatori con gli utensili collegati a terra.** *L'impiego di una spina integra ed una presa adatta riduce i rischi di folgorazione.*
- **Evitare di toccare con il corpo le superfici collegate a terra quali tubi, radiatori, forni e frigoriferi.** *Il rischio di folgorazione aumenta se il corpo è collegato a terra.*
- **Non esporre l'utensile alla pioggia e all'umidità.** *La penetrazione d'acqua nell'utensile aumenta il rischio di folgorazione.*
- **Non utilizzare il cavo per scopi diversi da quello previsto. Non utilizzare il cavo per trasportare o tirare l'utensile, oppure per staccare la spina dalla presa. Tenere il cavo lontano da fonti di calore, olio, parti appuntite o in movimento. Cavi danneggiati o attorcigliati aumentano il rischio di folgorazione.**
- **Se l'utensile viene utilizzato all'aperto, usare una prolunga adatta all'uso esterno.** *L'impiego di una prolunga da esterno riduce il rischio di folgorazione.*
- **Se il lavoro in un ambiente umido è strettamente necessario, utilizzare una presa protetta da dispositivo a corrente residua.** *Ciò riduce i rischi di scosse.*

SICUREZZA PERSONALE

- **L'uso di elettROUTENSILI richiede attenzione e buon senso. Non utilizzare gli utensili se si è stanchi o sotto l'effetto di droghe, alcol o medicinali.** *Una breve disattenzione può provocare gravi danni alle persone.*
- **Munirsi di indumenti e dispositivi di protezione. Indossare sempre occhiali da lavoro.** *L'uso di dispositivi di protezione tra cui mascherina antipolvere, scarpe antiscivolo, casco e protezioni per l'udito riduce il rischio di danni a persone.*

AVVERTENZE GENERALI DI PERICOLO PER ELETTROUTENSILI

- **Evitare l'accensione accidentale.** Accertarsi che l'interruttore sia in posizione "OFF" prima di inserire la spina. *Se si trasportano gli utensili con il dito sull'interruttore o si inserisce la spina nella presa con l'interruttore in posizione "ON" aumenta il rischio di incidenti.*
- **Togliere tutte le chiavi di regolazione prima di accendere l'utensile.** *Una chiave lasciata inserita in una parte rotante di un utensile può provocare danni a persone.*
- **Non utilizzare l'utensile in condizioni estreme.** **Mantenere sempre l'equilibrio ed i piedi ben appoggiati a terra.** *Questo consente un maggior controllo dell'utensile in caso di imprevisti.*
- **Indossare un abbigliamento adeguato.** **Non indossare abiti svolazzanti o gioielli.** **Tenere capelli, vestiti, e guanti lontani dalle parti in movimento.** *Abiti svolazzanti, gioielli o capelli potrebbero impigliarsi nelle parti in movimento.*
- **In presenza di apparecchiature per il collegamento a dispositivi di aspirazione e raccolta delle polveri, accertarsi che essi siano collegati ed utilizzarli correttamente.** *L'uso di queste apparecchiature può ridurre i rischi causati dalla polvere.*

USO E MANUTENZIONE DELL'UTENSILE

- **Utilizzare l'utensile più adatto per il lavoro da svolgere.** *L'impiego dell'utensile giusto migliora la qualità del lavoro e la sicurezza.*
- **Non utilizzare l'utensile se non è possibile accenderlo e spegnerlo con l'apposito interruttore.** *Gli utensili che non possono essere controllati con l'interruttore sono pericolosi e devono essere riparati.*
- **Staccare la spina dall'alimentazione di corrente prima di eseguire regolazioni, cambiare accessori o riporre l'utensile.** *Osservando queste precauzioni si riduce il rischio di accensione accidentale dell'utensile.*
- **Riporre gli utensili non utilizzati fuori dalla portata dei bambini e non consentirne l'utilizzo a persone che non conoscono l'utensile o queste istruzioni.** *Nelle mani di persone inesperte gli utensili possono diventare pericolosi.*
- **Sottoporre l'utensile a manutenzione.** **Verificare il corretto allineamento di tutte le parti mobili, controllare che non siano grippate e che non vi siano rotture o altri guasti che potrebbero influire sul funzionamento dell'utensile.** *Far riparare gli utensili danneggiati prima di riutilizzarli. Molti incidenti sono causati da utensili in pessime condizioni.*
- **Tenere le punte e gli strumenti da taglio puliti ed affilati.** *Se sottoposti ad una regolare manutenzione e pulizia consentono di lavorare in modo più preciso e sono maggiormente controllabili.*
- **Utilizzare l'utensile, gli accessori, gli attrezzi etc. secondo quanto indicato in queste istruzioni nonché tenendo in considerazione le condizioni di lavoro e il lavoro da eseguire.** *L'impiego di utensili per scopi diversi da quelli per cui sono stati progettati può dare origine a situazioni pericolose.*

AVVERTENZE GENERALI DI PERICOLO PER ELETTROUTENSILI

TRATTAMENTO ED UTILIZZO APPROPRIATO DI UTENSILI DOTATI DI BATTERIE RICARICABILI

- Caricare la batteria ricaricabile solo ed esclusivamente nei dispositivi di carica consigliati da produttore. Per un dispositivo di carica previsto per un determinato tipo di batteria sussiste pericolo di incendio se viene utilizzato con un tipo diverso di batteria ricaricabile.
- Avere cura d'impiegare negli elettROUTENSILI solo ed esclusivamente batterie ricaricabili esplicitamente previste. L'uso di batterie ricaricabili di tipo diverso potrà dare insorgenza a lesioni e comportare il rischio d'incendi.
- Non avvicinare batterie non utilizzate a fermagli, monete, chiavi, chiodi, viti e neppure ad altri piccoli oggetti metallici che potrebbero provocare un cavallottamento dei contatti. Un eventuale corto circuito tra i contatti dell'accumulatore potrà dare origine a bruciature o ad incendi.
- In caso d'impiego errato si provoca il pericolo di fuoriuscita di liquido dalla batteria ricaricabile. Evitarne assolutamente il contatto. In caso di contatto accidentale, sciacquare accuratamente con acqua. Rivolgersi immediatamente al medico, qualora il liquido dovesse entrare in contatto con gli occhi. Il liquido fuoriuscito dalla batteria ricaricabile potrà causare irritazioni cutanee o ustioni.

MANUTENZIONE

- **Far riparare l'utensile da personale qualificato che utilizzi solo parti di ricambio originali.** *In caso contrario la sicurezza dell'utensile potrebbe risultare compromessa.*

AVVERTENZE GENERALI DI PERICOLO PER ELETTROUTENSILI

- Questo utensile è sempre pronto all'uso, in quanto non necessita di essere collegato ad una presa di corrente per entrare in funzione. Bloccare sempre l'interruttore in posizione "OFF" quando si rimuove o si inserisce la batteria.
- Durante la foratura a percussione indossare sempre cuffie antirumore. L'eccessiva rumorosità può causare la perdita dell'udito.
- Utilizzare l'impugnatura supplementare fornita in dotazione. La perdita di controllo della macchina può causare gravi danni a persone e/o cose.
- Tenere l'elettROUTENSILE soltanto per le superfici isolate destinate alla presa, nell'esecuzione di un'operazione durante la quale è possibile che l'accessorio tagliente tocchi un impianto elettrico nascosto. Il contatto dell'accessorio tagliente con un filo sotto tensione metterà le parti metalliche dell'elettROUTENSILE sotto tensione e provocherà una scossa elettrica all'operatore.
- Se possibile fissare sempre il pezzo da forare con morsetti o con una morsa a vite.
- Non toccare la punta dopo l'uso, essendo questa surriscaldata.
- Si consiglia l'uso di cuffie o tappi per le orecchie. In caso di ambiente di lavoro polveroso indossare una mascherina antipolvere.

PRENDERE VISIONE DELL'ELETTROUTENSILE

ISTRUZIONI PER L'USO

- La polvere che si crea lavorando materiali contenenti quarzo (biossido di silicio) è dannosa per la salute. Non lavorare materiali contenenti amianto.
- Non utilizzare la macchina per scopi diversi da quelli indicati in queste istruzioni. L'uso per qualsiasi altra finalità sarà considerato uso improprio. In tal caso sarà l'utente e non l'azienda produttrice ritenuto responsabile di eventuali danni o lesioni.
- Per un utilizzo corretto di questo elettrotensile è necessario osservare le avvertenze di sicurezza, le norme supplementari e le istruzioni d'uso fornite in questo opuscolo. Tutti gli utenti della macchina devono aver letto queste istruzioni e devono essere a conoscenza degli eventuali rischi. Bambini e persone di corporatura debole non devono maneggiare l'utensile. Bambini nelle vicinanze dell'area di lavoro devono essere tenuti sotto stretto controllo. È assolutamente necessario attenersi alle disposizioni di prevenzione dagli infortuni, così come alle norme di sicurezza sul lavoro vigenti nella Sua area.
- L'azienda produttrice non è responsabile per eventuali modifiche apportate all'utensile da parte dell'utente o per danni causati da tali modifiche.

Persino un uso corretto dell'utensile non preclude tutti gli ulteriori rischi. I seguenti rischi potrebbero derivare da particolarità costruttive o dalla progettazione:

- danni ai polmoni, in caso di mancato uso di un'efficace mascherina antipolvere
- danni all'udito, in caso di mancato uso di efficaci cuffie di protezione.
- Non usare l'elettrotensile all'aperto quando piove, in un ambiente umido (dopo una pioggia), o in vicinanza di liquidi o gas infiammabili. Mantenere il posto di lavoro ben illuminato.

PRENDERE VISIONE DELL'ELETTROUTENSILE

- | | |
|--|--|
| 1. Mandrino a serraggio rapido | 7. Indicatore della batteria a diodi elettroluminescenti |
| 2. Commutatore dei settori di velocità | 8. Illuminazione a diodi elettroluminescenti dell'area di lavoro |
| 3. Commutatore per inversione del senso di rotazione | 9. Regolatore della coppia |
| 4. Tasto di sblocco della batteria | 10. Caricabatterie |
| 5. La batteria | |
| 6. Interruttore | |

ISTRUZIONI PER L'USO

INSERIRE ED ESTRARRE LA BATTERIA

Per estrarre la batteria: premere il tasto di sblocco della batteria (4) nella direzione indicata (A), ed estrarla fuori dalla carcassa dell'apparecchio.(B)

ATTENZIONE: Prima di iniziare qualsiasi operazione con la macchina (inserimento ed estrazione della batteria, cambio della punta, lavori di manutenzione, etc.) spostare sempre l'interruttore per il senso di rotazione (3) in posizione centrale.

ISTRUZIONI PER L'USO

Per estrarre la batteria: Porre la batteria alla base dell'apparecchio e spingerla fino a sentire lo scatto caratteristico. (C)

Carica della batteria (vedi fig. 3)

Luce	Stato
Verde acceso	Collegato / completamente carico
Rosso acceso	Ricarica in corso

INDICATORE DELLO STATO DELLA BATTERIA

Lo stato della batteria può essere verificato sul display a LED (7) premendo il pulsante di Interruttore (6).

A seconda del numero di LED illuminati, lo stato della batteria è il seguente:

3 LED si stanno accendendo: il livello di carica è del 100%.

2 LED sono accesi: il livello di carica è del 40-70%.

1 LED è acceso - il livello di carica è del 25-30%.

ILLUMINAZIONE A DIODI ELETTROLUMINESCENTI DELL'AREA DI LAVORO

L'elettrotensile è munito di illuminazione a diodi elettroluminescenti (8) per aumentare l'illuminazione dell'area di lavoro quando si opera in luoghi che non sono abbastanza illuminati. L'illuminazione a diodi elettroluminescenti sta inserita finché l'interruttore (6) è premuto.

SCEGLIERE IL SENSO DI ROTAZIONE

La posizione estrema destra del commutatore per invertire il senso di rotazione (3) (guardando da dietro) significa rotazione in senso antiorario, e quella estrema sinistra - in senso orario. Con il commutatore (3) messo nella posizione neutra, l'interruttore (6) non può essere premuto e la macchina non può essere messa in azione.

ATTENZIONE: Effettuare il cambio del senso di rotazione soltanto quando l'alberino non gira.

Per praticare fori e stringere viti si usa un interruttore, disposto nella posizione estrema sinistra. Allentamento di viti viene fatto con l'interruttore nella posizione estrema destra.

AVVIAMENTO - ARRESTO

Avviamento: premere l'interruttore (6).

Arresto: rilasciare l'interruttore (6).

L'elettrotensile è munito di un freno elettrico. L'alberino smette di girare immediatamente dopo il completo rilascio della leva dell'interruttore.

ISTRUZIONI PER L'USO

MANUTENZIONE

REGOLAZIONE DELLA COPPIA

Girare l'anello sul mandrino, per mettere il regolatore (9) in una di 20 posizioni, ed impostare la coppia. Le posizioni del regolatore della coppia (9) permettono un migliore controllo sull'elettrotensile, quando viene usato come cacciavite, evitando così l'eccessivo stringimento delle viti. La grandezza della coppia viene indicata con una delle cifre segnate intorno all'anello. Quanto maggiore è la cifra segnata sull'anello, tanto maggiore è la coppia. Per scegliere una coppia adatta, girare l'anello finché la rispettiva cifra non si posi contro la freccia sul corpo del trapano.

COMMUTATORE DI VELOCITÀ

Il commutatore di velocità a due gradi (2) permette una scelta della trasmissione più adatta con velocità e coppia ottimali per l'applicazione concreta.

ATTENZIONE: Cambiare le marce soltanto a trapano disinserito.

Per scegliere una marcia bassa (velocità bassa, coppia alta) far scivolare il commutatore dei settori di velocità (2) indietro. La cifra segnata sul commutatore 1 indica la velocità scelta.

Per scegliere una marcia alta (velocità alta, coppia bassa) far scivolare il commutatore delle velocità (2) in avanti. La cifra segnata sul commutatore 2 indica la velocità scelta.

METTERE E TOGLIERE UNA PUNTA

ATTENZIONE: Tirare fuori la batteria o mettere il commutatore per inversione del senso di rotazione (3) nella posizione media (neutrale) (A).

Il trapano è munito di alberino autobloccante, e ciò significa che se ci cerca di girare il mandrino a mano, l'alberino si blocca automaticamente. Per togliere o regolare la lunghezza della punta, è necessario tenere stretto il mandrino e girare il suo corpo.

- Afferrare la macchina con una mano e girare il mandrino con l'altra.
- Per aprire il mandrino, girarlo in senso antiorario.
- Per chiudere il mandrino, girarlo in senso orario.
- Mettere la punta.
- Chiudere il mandrino.
- Eseguire una messa in moto sperimentale, per verificare se la punta sia fissata correttamente nel centro del mandrino.

MANUTENZIONE

Lo strumento non richiede lubrificazioni o manutenzione aggiuntive. Non ci sono utenti parti riparabili nell'utensile, nella batteria o nel caricabatterie. Non usare mai acqua o prodotti chimici detergenti per pulire il tuo strumento. Pulisci con un panno asciutto. Conservare sempre lo strumento in un posto asciutto. Mantenere pulite le fessure di ventilazione del motore.

DATI TECNICI

DICHIARAZIONE DI CONFORMITÀ

DATI TECNICI

Modello	CBL16-2Li
Carica nominale	16 V
Voltaggio del caricatore	220-240V~50Hz
Giri a vuoto	0-400/0-1400 RPM
Regolazione coppia di serraggio	20+1
Coppia di serraggio (duro/morbido)	45/30 Nm
Dimensione del mandrino (max.)	13 mm
Batteria	Li-Ion, 2 Ah
Tempo di carica	120 min
Peso	1 kg
Misurazione A del livello di pressione acustica LpA	<70 dB(A)
Misurazione A del livello di potenza acustica LwA	90 dB(A)
Valori di vibrazione ah	5,3 m/s ²
Include	Trapano avvitatore, caricabatterie, batteria (2 pezzi), manuale di istruzioni

L'azienda produttrice si riserva il diritto di apportare modifiche tecniche senza preavviso.

DICHIARAZIONE DI CONFORMITÀ

Noi dichiariamo sotto la nostra personale responsabilità, che il prodotto, descritto nella sezione "Dati tecnici" è in conformità a tutte le disposizioni pertinenti della presente direttive e norme armonizzate: EN 55014-1:2017, EN 55014-2:2015, EN ISO12100, EN 62841-1, EN 62841-2-1:2018; 2014/30/EU, 2006/42/EC. Il fascicolo tecnico viene custodito presso la STATUS ITALIA S.R.L., via Aldo Moro, 14/A, 36060 - Pianezze (VI), ITALY



Caron Giacinto
Director
STATUS ITALIA S.r.l.

ПРЕДНАЗНАЧЕНИЕ НА ИЗДЕЛИЕТО

ОСНОВНИ ПРАВИЛА ЗА БЕЗОПАСНОСТ

ПРЕДНАЗНАЧЕНИЕ НА ИЗДЕЛИЕТО

Този уред е предназначен за завинтване и развинтване на винтове, както и за пробиване на дърво, метал, керамика и пластмаса.

ОСНОВНИ ПРАВИЛА ЗА БЕЗОПАСНОСТ

Прочетете инструкцията до края. Неспазването на правилата за употреба, описани долу, може да доведе до травми или до излизането извън строя на изделието. Запазете дадената инструкция.

Работно място

- Работното място следва да бъде чисто и добре осветено.
- На работното място не трябва да има възпламеняеми течности, както и във въздуха не трябва да има прах или газове. Инструментите създават искри, които може да запалят праха или изпаренията.
- В зоната на работа не трябва да присъстват деца или странични лица.

Електрическа безопасност

- Аккумуляторните батерии на изделието трябва да се зареждат само със зарядното устройство от комплекта. Използването на други типове зарядни устройства може да доведе до повреда на батериите.
- Използвайте с изделието само батериите, предназначени за дадения модел. Опит за използване на батерии от други модели, може да доведе до повреда или възпламеняване на батерията.
- Пазете кабела на зарядното устройство. Не използвайте кабела за носене на зарядното устройство. Дръжте кабела далеч от топлина, масло, остри ръбове или движещи се части. Ако кабела е повреден, заменете го незабавно в специализиран сервиз.

Лична безопасност

- Бъдете бдителни, внимавайте какво правите и бъдете разумни при употреба на инструмента. Не използвайте инструмента, ако сте уморени или под влиянието на упойващи вещества, алкохол или лекарства.
- Обличайте се правилно. Избягвайте прекалено свободни дрехи, свалете и бижута от себе си. Ако сте с дълга коса, приберете я под работна шапка.
- Избягвайте случайното пускане. Уверете се, че ключът е в изключена позиция, преди да го включите в контакта.
- Преди включването на изделието, се убедете, че са махнати инструменти за регулиране, ключове и други

ОСНОВНИ ПРАВИЛА ЗА БЕЗОПАСНОСТ

- Изберете удобно и устойчиво положение за работа. Загуба на равновесието може да доведе до получаване на травми.
- Използвайте оборудване за лична безопасност. Винаги носете защита за очите. При необходимост носете и маска против прах, обувки с добро сцепление, и предпазна шапка.

Използване на инструмента

- Използвайте клещи или друг практичен начин да обезопасите и придържате работната част на стабилна платформа.
- Не претоварвайте инструмента. Използвайте правилния инструмент за работата си. Правилният инструмент ще свърши по-добре и по-безопасно работата, за която е предназначен.
- Не използвайте инструмент с неизправен пусков ключ-превключвател. Всеки инструмент, който не може да бъде контролиран с ключа, е опасен и трябва да бъде ремонтиран.
- Винаги изключвайте продукта от електрическата мрежа по време на операции на адаптирането му, или смяна на аксесоарите. Това ще предотврати случайно включване на изделието.
- Дръжте изделието далече от достъпа на деца и лица, които нямат необходимите работни навици.
- Грижете се добре за изделието, използваните аксесоари трябва да бъде чиста и в работно състояние. Добре наточен аксесоар примерно ще направи работата Ви по-бърза и ефективна.
- Проверявайте лекотата на въртене, цялостта както и липсата на повреди по движещите се части на корпуса и детайлите на изделието. При откриване на неизправност, спрете експлоатацията на продукта и незабавно го дайте за ремонт.
- Използвайте препоръчителните аксесоари и принадлежности за този вид продукт.

Използване и наблюдение на електроинструмент, храняване

С акумулаторна батерия

- Да се презарежда само със зарядно устройство, определено от производителя. Зарядно устройство, което е подходящо за един тип батериен блок, може да създаде риск, когато се използва с друг батериен блок.
- Да се използват електроинструменти само със специално проектирани батерийни блокове. Използването на каквито и да са други батерийни блокове може да създаде риск от нараняване и пожар.
- Когато не се използва, батерийният блок да се държи далече от други метални обекти, като кламери за хартия, монети, ключове, гвоздеи, винтове или други дребни метални предмети, които могат да свържат една клемма към друга. Свързването на клемите на акумулаторната батерия може да предизвика горене или пожар.

СПЕЦИАЛНИ ПРАВИЛА ЗА БЕЗОПАСНОСТ

- При неблагоприятни условия от акумулаторната батерия може да изтича течност; да се избягва допир. Ако случайно се получи допир, да се промие с вода. Ако попадне течност в очите, да се потърси допълнително медицинска помощ. Изтеклата от акумулаторната батерия течност може да предизвика възпаление или изгаряния.

Сервиз

- Сервизното обслужване на изделието следва да бъде правено само в оторизирани сервизни центрове. Обслужването от неквалифицирани лица може да доведе до травми или до излизането извън строй на изделието.

Допълнителни правила за безопасност при работа с акумулаторни бормашини/винтоверти

- Трябва да осъзнаете, че този електроинструмент винаги е в работно състояние, защото не е необходимо да бъде включен в мрежата. Винаги поставяйте прекъсвача в положение ИЗКЛЮЧЕНО, когато поставяте или сваляте батерията.
- Използвайте средства за защита на слуха при работа с ударни бормашини. Интензивният шум по време на работа може да предизвика слухови увреждания.
- Винаги използвайте допълнителната ръкохватка, ако е доставена с машината. Загубата на контрол може да предизвика трудова злополука.
- Дръжте електроинструмента за изолираните повърхности при извършване на операция, когато режещият инструмент или крепежният елемент може да попадне на скрити проводници под напрежение. При допир на режещия инструмент до проводник под напрежение металните части на електроинструмента може да попаднат под напрежение, което да доведе до поражение от електрически ток на оператора.
- Ако е възможно винаги използвайте скоби или менгеме, за да фиксирате обработвания материал.
- Не докосвайте свредлото непосредствено след работа с бормашината. То е много горещо.
- Когато работите с бормашина, използвайте защитна екипировка, включваща защитни очила и антифони. Носете маска против прах, ако при пробивната операция се произвежда прах.
- Прахът, отделян при обработването на материали, съдържащи кварц (силициев двуокис), е вреден за здравето. Да не се обработват материали, съдържащи азбест.
- Електроинструментът трябва да се използва само по предназначение. Всякаква друга употреба, различаваща се от описаната в тази инструкция, ще се счита за неправилна употреба.
- Отговорността за всякаква повреда или нараняване, произтичащи от неправилна употреба, ще се носи от потребителя, а не от производителя.

ЗАПОЗНАВАНЕ С ЕЛЕКТРОИНСТРУМЕНТА УКАЗАНИЯ ЗА РАБОТА

- За да експлоатирате правилно този електроинструмент, трябва да съблюдавате правилата за безопасност, общите инструкции и указанията за работа, посочени тук. Всички потребители трябва да са запознати с тази инструкция за експлоатация и информирани за потенциалните рискове при работата с електроинструмента. Деца и физически слаби хора не трябва да използват електроинструмента. Децата трябва да бъдат под непрекъснато наблюдение ако се намират в близост до място, където се работи с електроинструмента. Задължително е да предприемете и превантивни мерки за безопасност. Същото се отнася и за спазването на основните правила за професионалното здраве и безопасност.
- Производителят не носи отговорност за извършени от потребителя промени върху електроинструмента или за повреди, предизвикани от подобни промени. Дори когато електроинструментът се използва по предназначение, е невъзможно да се елиминират всички остатъчни рискови фактори. Изброените по-долу опасности могат да възникнат във връзка с конструктивните особености и дизайна на електроинструмента.
- Проблеми с белите дробове, ако не се използва ефективна маска против прах.
- Проблеми със слуха, ако не се използват ефективни предпазни мерки.

ЗАПОЗНАВАНЕ С ЕЛЕКТРОИНСТРУМЕНТА

1. Бързостягащ патронник
2. Превключвател на скоростните обхвати
3. Превключвател за смяна посоката на въртене
4. Бутон за освобождаване на батерията
5. Батерия
6. Прекъсвач
7. Светодиоден индикатор за батерията
8. Светодиодно осветление на работната зона
9. Регулатор на въртящия момент
10. Зарядно устройство*

УКАЗАНИЯ ЗА РАБОТА

Зареждане на батерията (вижте фигура 3)

Светлина	Състояние
Зелено свети	Включен / Напълно зареден
Червено свети	Зареждането е в ход

ПОСТАВЯНЕ И ИЗВАЖДАНЕ НА БАТЕРИЯ

За да извадите батерията: натиснете бутона за освобождаване на батерията (4) в указаната посока (А) и я издърпайте навън от корпуса на електроинструмента. (В)

ПРЕДУПРЕЖДЕНИЕ: Винаги поставяйте превключвателя за смяна посоката на въртене (3) в средно положение преди извършване на какви-то и да е дейности по електроинструмента, напр. поставяне и зареждане на батерия, смяна на накрайник, пренасяне, обслужване или съхраняване на електроинструмента. За да поставите батерията: Поставете батерията в основата на електроинструмента и я плъзнете докато се чуе характерно прищракване. (С)

ИНДИКАТОР ЗА СЪСТОЯНИЕТО НА БАТЕРИЯТА

Състоянието на батерията може да се провери на LED дисплея (7) чрез натискане на бутон прекъсвач (6).

В зависимост от броя на светещите светодиоди състоянието на батерията е както следва:

Светят 3 светодиода - нивото на зареждане е 100%.

Светят 2 светодиода - нивото на зареждане е 40-70%.

1 светодиод е на ниво на зареждане 25-30%.

СВЕТОДИОДНО ОСВЕТЛЕНИЕ НА РАБОТНАТА ЗОНА

Електроинструментът е снабден със светодиодно осветление (8) за повишаване осветеността на работната зона при работа в слабо осветени места.

Светодиодното осветление е включено докато прекъсвачът (6) е натиснат.

ИЗБОР НА ПОСОКАТА НА ВЪРТЕНЕ

Крайно дясно положение на превключвателя за смяна посоката на въртене (3) (гледано отзад) означава въртене обратно на посоката на часовниковата стрелка, а крайно ляво - по посока на часовниковата стрелка. При превключвател (3) поставен в неутрално положение, прекъсвач (6) не може да бъде натиснат и машината не може да бъде задействана.

ПРЕДУПРЕЖДЕНИЕ: Смяната на посоката на въртене да се извършва само когато вретеното не се върти.

Пробиване на отвори и завиване на винтове се извършва с превключвател, поставен в крайно ляво положение. Развиване на винтове се извършва при превключвател в крайно дясно положение.

ПУСК - СПИРАНЕ

Старт: натиснете ключа (6).

Стоп: освободете ключа (6)

Електрическият инструмент е оборудван с електрическа спирачка. Шпинделът спира да се върти веднага след пълното освобождаване на ключа.

РЕГУЛИРАНЕ НА ВЪРТЯЩИЯ МОМЕНТ

Завъртете пръстена зад патронника, за да поставите регулатора (9) в едно от 20 положения и зададете въртящ момент. Положенията на регулатора на въртящ момент (9) позволяват по-добър контрол над електроинструмента, когато се използва като отвертка, като по този начин се предотвратява прекомерно затягане на винтовете. Големината на въртящия момент се обозначава с едно от числата, маркирани около пръстена. Колкото по-голямо е числото, маркирано върху пръстена, толкова по-голям е въртящият момент. За да изберете подходящ момент, завъртете пръстена докато съответното число не застане пред стрелката върху корпуса на бормашината.

ПРЕВКЛЮЧВАТЕЛ НА СКОРОСТИ

Двустепенният превключвател на скорости (2) позволява избор на най-подходяща предавка с оптимална скорост и въртящ момент за конкретното приложение.

ПРЕДУПРЕЖДЕНИЕ: Сменяйте предавките само при изключена бормашина.

За да изберете ниска предавка (ниска скорост, голям въртящ момент) плъзнете превключвателя на скоростните обхвати (2) назад. Маркираната върху превключвателя цифра 1 показва избраната скорост.

За да изберете висока предавка (висока скорост, малък въртящ момент) плъзнете превключвателя на скорости (2) напред. Маркираната върху превключвателя цифра 2 показва избраната скорост.

ПОСТАВЯНЕ И СВАЛЯНЕ НА НАКРАЙНИК

ПРЕДУПРЕЖДЕНИЕ: Извадете батерията или поставете превключвателя за смяна посоката на въртене (3) в средно (неутрално) положение. Бормашината е оборудвана със самозакljučващо се вретено, което означава че ако се опитате да завъртите патронника ръчно, вретеното автоматично ще блокира. За да свалите или регулирате дължината на накрайника е необходимо само да стиснете здраво патронника и да завъртите корпуса му.

- Хванете машината с едната си ръка и завъртете патронника с другата.
- За да отворите патронника го завъртете в посока обратна на часовниковата стрелка.
- За да затворите патронника го завъртете в посока на часовниковата стрелка.
- Поставете накрайника.
- Затворете патронника.
- Изпълнете пробно пускане, за да проверите дали накрайникът е правилно закрепен в центъра на патронника.

ПОДДРЪЖКА ТЕХНИЧЕСКИ ДАННИ

ПОДДРЪЖКА

Вашият инструмент не изисква допълнителни смазки или поддръжка. Няма обслужващи се части в инструмента, батерията или зарядното устройство. Никога не използвайте вода или химикали почистващи препарати за почистване на вашия инструмент. Избършете само със суха кърпа. Винаги съхранявайте инструмента си в сухо място. Поддържайте чистите вентилационни отвори на двигателя.

ТЕХНИЧЕСКИ ДАННИ

Модел	CBL16-2Li
Номинално напрежение	16 V
Номинално напрежение зарядно устройство	220-240V~50Hz
Скорост на празен ход	0-400/0-1400 RPM
Регулиране на въртящия момент	20+1
Въртящ момент (твърд/мек)	45/30 Nm
Размер на патронника (макс.)	13 mm
Батерия	Li-Ion, 2 Ah
Време за зареждане	120 min
Тегло	1 kg
A-претеглено ниво на звуково налягане LpA	<70 dB(A)
A-претеглено ниво на звукова мощност LwA	90 dB(A)
Стойност на излъчените вибрации ah	5,3 m/s ²
Окомплектовка	Акумулаторна бормашина/винтоверт, зарядно устройство, батерия (2 бр.), Инструкция

Производителят си запазва правото да въвежда подобрения и промени в своите изделия и да променя спецификациите без предупреждение.

ДЕКЛАРАЦИЯ ЗА СЪОТВЕТСТВИЕ

ДЕКЛАРАЦИЯ ЗА СЪОТВЕТСТВИЕ

Ние декларираме на своя лична отговорност, че изделието, описано в раздел "Технически данни", отговаря на всички приложими изисквания на следните директиви и хармонизирани стандарти: EN 55014-1:2017, EN 55014-2:2015, EN ISO12100, EN 62841-1, EN 62841-2-1:2018; 2014/30/EU, 2006/42/EC.

Техническото досие се съхранява в STATUS ITALIA S.R.L., via Aldo Moro, 14/A, 36060 - Pianezze (VI), ITALY



Caron Giacinto
Director
STATUS ITALIA S.r.l.

Дистрибутор на територията на България: Спринтер ООД.

Адрес по регистрация: България, гр. София 1000, бул. Христо Ботев 28, ет. 7.

Адрес за кореспонденция: България, гр. София 1303, бул. Тодор Александров №28, магазин №4.

Уебсайт: www.status-tools.com, E-mail: office@status-tools.eu. Тел. 02 870 51 98

ПРЕДНАЗНАЧЕНИЕ ИЗДЕЛИЯ ОСНОВНЫЕ ТРЕБОВАНИЯ БЕЗОПАСНОСТИ

ПРЕДНАЗНАЧЕНИЕ ИЗДЕЛИЯ

Электроинструмент предназначен для закручивания и откручивания винтов, а также для сверления в древесине, металле, керамике и пластмассе.

ОСНОВНЫЕ ТРЕБОВАНИЯ БЕЗОПАСНОСТИ

РАБОЧЕЕ МЕСТО

- Содержите рабочее место чистым и свободным от посторонних предметов.
- Рабочее место должно быть хорошо освещено во избежание несчастных случаев.
- Не используйте изделие для работы во взрывоопасной атмосфере и вблизи от легковоспламеняющихся жидкостей. *Электродвигатель изделия при работе искрит и это может стать причиной пожара.*
- Во время работы не допускайте посторонних и детей к рабочему месту.

ЭЛЕКТРОБЕЗОПАСНОСТЬ

- Сетевая розетка должна соответствовать штепсельной вилке, установленной на сетевом кабеле изделия. Запрещается внесение изменений в конструкцию вилки и использование любых переходников.
- Во время работы избегайте контакта с заземленными предметами: водопроводными трубами, радиаторами отопления и т.д. *При контакте с заземленными предметами значительно возрастает риск поражения электрическим током.*
- Предохраняйте изделие от воздействия воды и повышенной влажности. *Попадание воды внутрь изделия может привести к поражению электрическим током.*
- Берегите сетевой кабель изделия. Не используйте кабель для переноски изделия, не тяните за кабель чтобы выключить изделие. Располагайте кабель во время работы вдали от источников тепла, подвижных частей изделия и предметов с острыми краями. *Поврежденный кабель может стать причиной поражения электрическим током.*
- При работе изделием вне помещения применяйте удлинитель, специально предназначенный для эксплуатации на открытом воздухе. *Использование специального удлинителя значительно снижает риск поражения электрическим током.*
- Параметры сети для подключения изделия должны соответствовать параметрам указанным на маркировочной табличке изделия. (220-240 В~, 50 Гц)

ЛИЧНАЯ БЕЗОПАСНОСТЬ

- Не работайте изделием в состоянии алкогольного или наркотического опьянения, под воздействием лекарств и в болезненном состоянии. *Кратковременная потеря контроля над изделием во время работы может стать причиной серьезной травмы.*

ОСНОВНЫЕ ТРЕБОВАНИЯ БЕЗОПАСНОСТИ

- Всегда применяйте средства индивидуальной защиты и защитные очки. К средствам индивидуальной защиты относятся: респиратор, нескользящая обувь и шумозащитные наушники. *Применение средств защиты сделает работу более комфортной и безопасной.*
- Внимательно следите за тем, чтобы при включении изделия в сеть, клавиша выключателя не была зафиксирована во включенном положении. *Это поможет избежать случайного включения изделия.*
- Следите за тем, чтобы перед включением изделия из него были удалены регулировочные инструменты, отвертки и т.п. *Попадание инструмента в подвижные части изделия при включении может стать причиной травмы и привести к выходу изделия из строя.*
- При работе занимайте устойчивое положение. Всегда стойте на устойчивой опоре. *Потеря равновесия во время работы может стать причиной серьезной травмы.*
- Не одевайте для работы излишне свободную одежду. Перед началом работы снимите ювелирные украшения. Если у Вас длинные волосы, спрячьте их под головной убор. *Попадание краев одежды, ювелирных изделий и волос в движущиеся части изделия может привести к травме.*
- Если в изделии предусмотрено подключение пылесоса обязательно подключите его перед работой. *Эффективное удаление пыли из рабочей зоны сделает работу более удобной и сохранит Ваше здоровье.*

БЕЗОПАСНОЕ ИСПОЛЬЗОВАНИЕ И ХРАНЕНИЕ ИЗДЕЛИЯ

- Не перегружайте изделие. Для каждого вида работ используйте только тот тип инструмента или оснастки, который для этого предназначен.
- Не используйте изделие с неисправным выключателем. *Если выключатель работает нечетко и включение/выключение изделия затруднено, выключатель подлежит немедленной замене.*
- Всегда отключайте изделия от сети перед тем как отрегулировать изделие или поменять оснастку. *Это поможет избежать случайного включения изделия во время работ по его обслуживанию.*
- Храните изделие в месте, недоступном детям и лицам не имеющим навыков работы с изделием. Лицо, ранее не работавшее таким типом инструмента обязано перед началом работы внимательно прочитать эту инструкцию полностью.
- Перед началом работы внимательно проверяйте состояние изделия: легкость перемещения подвижных частей, отсутствие повреждений корпусных деталей и оснастки. *Любая поврежденная часть изделия или оснастки должна быть заменена перед началом работы.*
- Содержите режущую оснастку в чистом виде, хорошо заточенной и смазанной.

ТРЕБОВАНИЯ БЕЗОПАСНОСТИ ПРИ ИСПОЛЬЗОВАНИИ АККУМУЛЯТОРНЫХ ДРЕЛЕЙ

- Используйте инструмент и оснастку только для производства тех видов работ, которые предусмотрены в инструкции по эксплуатации данного изделия. *Использование изделия не по прямому назначению может привести к его поломке и травмам.*

ПРИМЕНЕНИЕ И ОБСЛУЖИВАНИЕ АККУМУЛЯТОРНОГО ИНСТРУМЕНТА

- Заряжайте аккумуляторы только в зарядных устройствах, рекомендуемых изготовителем. Зарядное устройство, предусмотренное для определенного вида аккумуляторов, может привести к пожарной опасности при использовании его с другими аккумуляторами.
- Применяйте в электроинструментах только предусмотренные для этого аккумуляторы. Использование других аккумуляторов может привести к травмам и пожарной опасности.
- Защищайте неиспользуемый аккумулятор от канцелярских скрепок, монет, ключей, гвоздей, винтов и других маленьких металлических предметов, которые могут замкнуть полюса. Короткое замыкание полюсов аккумулятора может привести к ожогам или пожару.
- При неправильном использовании из аккумулятора может потечь жидкость. Избегайте соприкосновения с ней. При случайном контакте промойте соответствующее место водой. Если эта жидкость попадет в глаза, то дополнительно обратитесь за помощью к врачу. Вытекающая аккумуляторная жидкость может привести к раздражению кожи или к ожогам.

СЕРВИСНОЕ ОБСЛУЖИВАНИЕ

- Ремонт изделия должен осуществляться в авторизованном сервисном центре, квалифицированным персоналом и с использованием только оригинальных запасных частей. Использование при ремонте запасных частей не сертифицированных производителем данного изделия может привести к выходу изделия из строя и нарушению норм электробезопасности изделия.

ТРЕБОВАНИЯ БЕЗОПАСНОСТИ ПРИ ИСПОЛЬЗОВАНИИ АККУМУЛЯТОРНЫХ ДРЕЛЕЙ

- Электроинструмент всегда находится в рабочем состоянии, без необходимости подключения в электрическую сеть. При монтаже или демонтаже батареи выключатель всегда необходимо устанавливать в позицию ВЫКЛЮЧЕН.
- Пользуйтесь средствами защиты слуха при использовании ударных дрелей. Интенсивный шум во время работы может повредить слух.
- Всегда используйте дополнительную рукоятку, если она входит в комплектацию инструмента. Потеря контроля может привести к трудовому инциденту.
- Держите электроинструмент за изолированные поверхности, предназначенные

ТРЕБОВАНИЯ БЕЗОПАСНОСТИ ПРИ ИСПОЛЬЗОВАНИИ АККУМУЛЯТОРНЫХ ДРЕЛЕЙ

для этого, при выполнении операции, при которой режущий инструмент (крепежный элемент) может соприкоснуться со скрытой электропроводкой/инсталляцией. Соприкосновение режущего инструмента и проводки под напряжением может привести к тому, что открытые металлические части электроинструмента подвергнутся воздействию электрического тока, что кроет опасность поражения оператора электрическим током.

- Всегда, когда это возможно, используйте скобы или тиски для фиксации обрабатываемого материала.
- Не прикасайтесь к сверлу непосредственно после выключения дрели, т.к. оно очень горячее.
- Во время работы с дрелью пользуйтесь защитной одеждой, включительно защитными очками и антифонами. Используйте маску против пыли в случае, если при конкретных работах выделяется пыль.
- Пыль, выделяемая при обработке материалов, содержащих кварц (диоксид силиция), вредна для здоровья. Не обрабатывайте материалы, содержащие азбест.
- Электроинструмент необходимо использовать только по назначению. Любое другое употребление, различное от описанного в этой инструкции, считается неправильным употреблением. Ответственность за любую поломку или ранение в результате неправильного употребления несет потребитель, а не производитель.
- Для правильной эксплуатации электроинструмента необходимо соблюдать правила техники безопасности, общие инструкции и указания по работе, указанные здесь. Все потребители должны ознакомиться с инструкцией по эксплуатации и проинформироваться о всех возможных рисках, связанных с работой электроинструмента. Детям и физически ослабленным лицам запрещено использовать этот электроинструмент. Дети, находящиеся вблизи места работ с использованием электроинструмента, должны находиться под постоянным наблюдением. В обязательном порядке необходимо предпринять превентивные меры безопасности. Это же условие касается соблюдения основных правил профессионального здоровья и безопасности.
- Изготовитель не несет ответственность за внесенные потребителем изменения в электроинструмент, или поломки, вызванные подобными изменениями.

Даже при условии, что электроинструмент используется исключительно по назначению, невозможно предупредить все факторы риска. Перечисленные далее риски возможны по причинам конструктивных особенностей и дизайна электроинструмента.

- Проблемы с легкими, если не используется эффективная маска от пыли.
- Проблемы со слухом при отсутствии эффективных мер предосторожности.
- Электроинструментом не следует пользоваться под открытым небом в дождливую погоду, во влажной среде (после дождя) или вблизи легко воспламеняемых жидкостей и газов. Рабочее место должно быть хорошо освещено.

ОПИСАНИЕ УКАЗАНИЯ ПО РАБОТЕ

ОПИСАНИЕ

1. Быстрозажимной патрон
2. Переключатель скорости
3. Переключатель смены направления вращения
4. Кнопка фиксации батареи
5. Батарея
6. Выключатель
7. Светодиодный индикатор для батареи
8. Светодиодное освещение рабочей зоны
9. Регулятор момента вращения
10. Зарядное устройство

УКАЗАНИЯ ПО РАБОТЕ

Зарядка аккумулятора (Рис. 3)

Индикация	Значение
Зеленый горит	Готов к работе / Полностью заряжен
Красный горит	Идёт процесс зарядки

МОНТАЖ И ДЕМОНТАЖ БАТАРЕИ

Демонтаж батареи: Нажмите на кнопку освобождения батареи (4) в указанном направлении (А), и выньте батарею из корпуса электроинструмента (В).

ПРЕДУПРЕЖДЕНИЕ: Всегда устанавливайте выключатель смены направления вращения (3) в среднюю позицию перед тем, как выполнять любые действия с электроинструментом, напр. монтаж и подзарядку батареи, замену наконечника, перенос, обслуживание или хранение электроинструмента.

Монтаж батареи: Вставьте батарею в основу электроинструмента, продвинув ее до характерного щелчка (С).

ИНДИКАТОР СОСТОЯНИЯ БАТАРЕИ

Состояние батареи контролируется светодиодным индикатором (7) после нажатия на кнопку выключателя (6).

Количество светящихся светодиодов показывает состояние батареи:

3 светодиода - уровень заряда 100%.

2 светодиода - уровень заряда 40-70%.

1 светодиод - уровень заряда 25-30%.

СВЕТОДИОДНОЕ ОСВЕЩЕНИЕ РАБОЧЕЙ ЗОНЫ

Электроинструмент снабжен светодиодным освещением (8) для повышения освещенности рабочей зоны во время работ в недостаточно освещенных местах. Светодиодное освещение включено до тех пор, пока нажат выключатель (6).

НАСТРОЙКА НАПРАВЛЕНИЯ ВРАЩЕНИЯ

Крайнее правое положение переключателя смены направления вращения (3) (вид сзади) означает вращение против часовой стрелки, а крайнее левое - по направлению часовой стрелки. При нажатии выключателя (6) переключатель (3) не может быть задействован. Когда переключатель (3) установлен в нейтральное положение, выключатель (6) не может быть нажат и машина не может быть включена.

ПРЕДУПРЕЖДЕНИЕ: Изменение направления вращения осуществляется только при остановленном шпинделе.

При выполнении отверстий и закручивании шурупов выключатель установлен в крайнее левое положение. Для откручивания шурупов переключатель устанавливается в крайнее правое положение.

ПУСК - ОСТАНОВКА

Пуск: нажать выключатель (6).

Остановка: освободить выключатель (6).

Электроинструмент оборудован электрическим тормозом. После освобождения выключателя шпиндель немедленно прекращает вращаться.

РЕГУЛИРОВКА МОМЕНТА ВРАЩЕНИЯ

Поверните кольцо, расположенное под патронником, и установите регулятор (9) в одну из 20 позиций, для настройки момента вращения. Позиции регулятора момента (9) позволяют более эффективно контролировать электроинструмент, используя его в качестве отвертки, тем самым предотвращая слишком тугое закручивание шурупов.

Показатель момента вращения обозначен числами, маркированным возле кольца. Чем больше число, тем больше момент вращения. Для того, чтобы выбрать подходящий момент, вращайте кольцо до тех пор, пока соответствующее число не совпадет со стрелкой на корпусе дрели.

ПЕРЕКЛЮЧАТЕЛЬ ПЕРЕДАЧ

Двухскоростной переключатель (2) позволяет выбрать подходящую передачу, обеспечивающую оптимальную скорость и момент вращения в каждом отдельном случае.

ПРЕДУПРЕЖДЕНИЕ: Переключайте передачи только при выключенном шуруповерте. Для настройки низкой передачи (низкой скорости, высокого момента вращения), сдвиньте ползун передач (2) назад. Маркированная на ползуне цифра 1 показывает выбранную передачу.

Для настройки высокой передачи (высокая скорость, низкий момент вращения), сдвиньте ползун передач (2) вперед. Маркированная на ползуне цифра 2 показывает выбранную передачу.

МОНТАЖ И ДЕМОНТАЖ БИТ и СВЕРЛ

ПРЕДУПРЕЖДЕНИЕ: Выньте батарею, или установите выключатель смены направления вращения (3) в среднее (нейтральное) положение.

Шуруповерт оборудован самоблокирующимся шпинделем, и при попытке закрутить патронник вручную, шпиндель автоматически заблокируется.

ОБСЛУЖИВАНИЕ

ТЕХНИЧЕСКИЕ ХАРАКТЕРИСТИКИ

Чтобы снять или отрегулировать длину наконечника, необходимо лишь крепко удерживая патронник, повернуть его корпус.

- Удерживая одной рукой электроинструмент, другой поверните патрон.
- Чтобы открыть патрон, поверните его в сторону, противоположную часовой стрелке.
- Чтобы закрыть патрон, поверните его в сторону по часовой стрелке.
- Вставьте бит или сверло.
- Закройте патрон.
- Выполните пробный пуск для проверки правильности монтажа наконечника в центре патрона.

ОБСЛУЖИВАНИЕ

Данный инструмент не нуждается в дополнительной смазке или регулярном обслуживании. В нем нет узлов, которые пригодны для ремонта вне сервисной мастерской. Не используйте агрессивные очистители для чистки инструмента. Используйте для этого сухую ткань. Храните инструмент в сухом месте. Вентиляционные отверстия на корпусе не должны быть заблокированы.

ТЕХНИЧЕСКИЕ ХАРАКТЕРИСТИКИ

Модель	CBL16-2Li
Напряжение аккумулятора	16 В
Входное напряжение зарядного устройства	220-240 В~
Частота вращения	0-400/0-1400 об./мин.
Ступени регулировки момента	20+1
Крутящий момент (жесткий/мягкий)	45/30 Нм
Емкость патрона (макс.)	13 мм
Аккумулятор	Li-Ion, 2 Ач
Время зарядки	120 мин.
Масса	1 кг
A-взвешенный уровень звуковой нагрузки LpA	<70 дБ(A)
A- взвешенный уровень звуковой мощностиLwA	90 дБ(A)
Показатель замеренных вибраций ah	5,3 м/с ²
Комплектация	Дрель-шуруповерт, зарядное устройство, аккумулятор (2 шт.), инструкция.

ДЕКЛАРАЦИЯ СООТВЕТСТВИЯ

Производитель оставляет за собой право изменять технические параметры изделия и его комплектацию без предварительного уведомления.

ДЕКЛАРАЦИИ СООТВЕТСТВИЯ

STATUS ITALIA S.R.L. заявляет, что изделие торговой марки STATUS аккумуляторный дре-ли-шуруповерт CBL16-2Li изготовлена в соответствии со следующими директивами ЕС: **2014/30/EU, 2006/42/EC.**

Также соответствует нижеперечисленным стандартам: EN 55014-1:2017, EN 55014-2:2015, EN ISO12100, EN 62841-1, EN 62841-2-1:2018.

Техническа документация находится у производителя: STATUS ITALIA S.R.L., via Aldo Moro, 14/A, 36060 - Pianezze (VI), ITALY



Карон Джиасинто
Директор
STATUS Italia S.r.l.

Машины ручные аккумуляторные сверлильные марки «STATUS» соответствуют требованиям технических регламентов Таможенного союза и Евразийского экономического союза:

ТР ТС № 004/2011 «О безопасности низковольтного оборудования»,

ТР ТС № 010/2011 «О безопасности машин и оборудования»,

ТР ТС № 020/2011 «Об электромагнитной совместимости технических средств»

ТР ЕАЭС № 037/2016 «Об ограничении применения опасных веществ в изделиях электротехники и радиоэлектроники».

Документы, подтверждающие соответствие продукции, размещены на сайте:

www.status-tools.com. Сделано в Китае.

Изготовитель: STATUS ITALIA S.R.L.

Адрес местонахождения:

via Aldo Moro, 14/A, 36060 - Pianezze (VI), ITALY

Уполномоченное лицо изготовителя: ООО «СТАТУС ТУЛС»

Адрес: 143085, Московская область, Одинцовский район, р/п Заречье, территория 12 месяцев ЖК, стр. 13.

Дата изготовления: см. маркировку изделия

