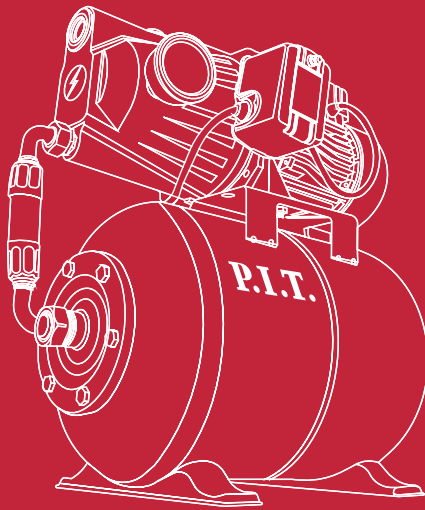


# P.I.T.

POG900-P1



**SELF-PRIMING PUMP**  
ПОВЕРХНОСТНЫЙ НАСОС

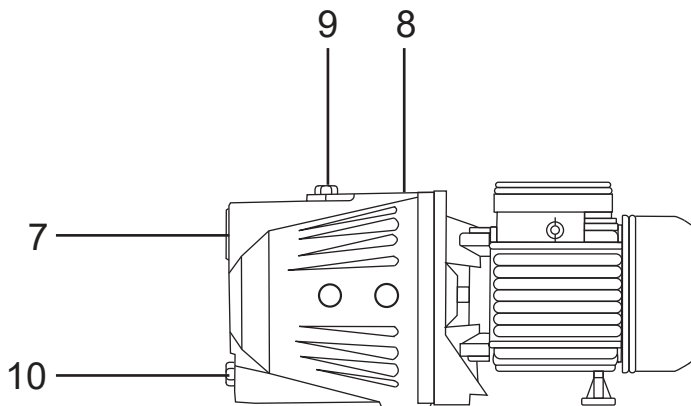
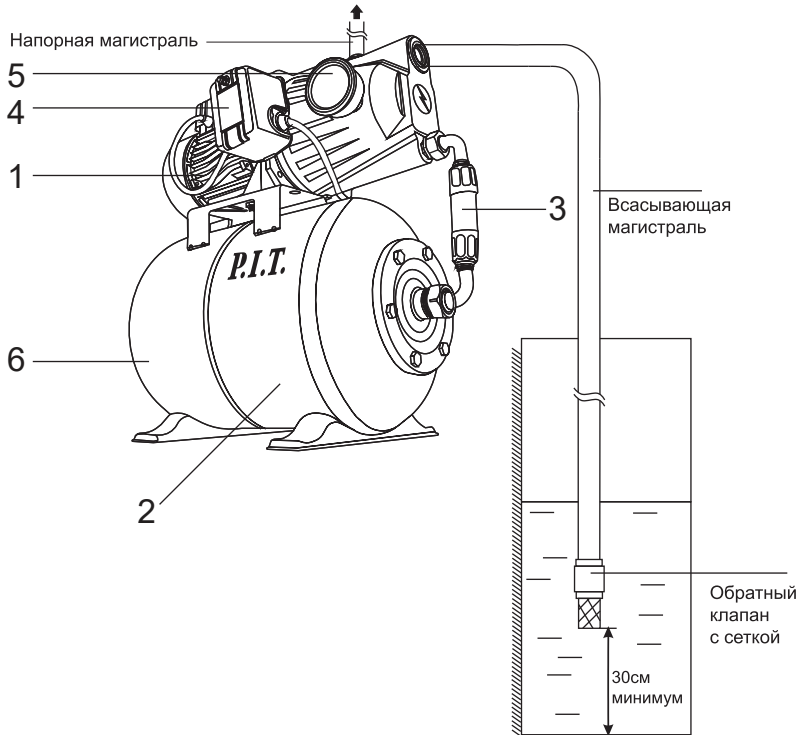
**900W**

**Powerful  
Efficient**

Please read the instruction manual carefully before use!

Пожалуйста, внимательно прочтите инструкцию перед использованием!





## English Safety instructions

### General power tool safety warnings



**WARNING** Read all safety warnings and all instructions.

Failure to follow the warnings and instructions may result in electric shock, fire and/or serious injury.

### Retain these instructions and directions for future use.

The term "power tool" as used in these instructions and instructions applies to both mains operated power tools (with mains lead) and cordless power tools (without mains lead).

### Precautions

- ▶ **Do not use pumping equipment for any purpose other than those specified in this manual.**
- ▶ **Do not allow the use of pumping equipment by unskilled persons, minors or people with insufficient physical data to use the pumping equipment.** In case of transfer of pumping equipment to other persons, tell us in detail about the rules for its use and let you familiarize yourself with this manual.
- ▶ **Do not use pumping equipment where there is a risk of fire or explosion, for example, near flammable liquids or gases.**
- ▶ **Do not use a power cable to transport or secure the pump.**
- ▶ **Carry pumping equipment by the handle.**
- ▶ **Do not carry pumping equipment while it is switched on.** Make sure that the network parameters correspond to those indicated on the pumping equipment and in this manual.
- ▶ **Do not operate pumping equipment without grounding.**
- ▶ **All electrical connections must be located in a place protected from moisture.**
- ▶ **Wear personal protective equipment when working on pumping equipment.**
- ▶ **It is recommended to wear suitable clothing when working to prevent any parts from coming into contact with the equipment.** Also make sure that there is nothing on you that could interfere with your work or cause unwanted consequences.
- ▶ **For your safety, it is strongly recom-**

**mended that you operate the equipment on a level surface.**

- ▶ **It is strictly forbidden to use the pumping equipment for pumping motor fuel, cleaning agents and other chemical liquids!**
- ▶ **Pumping equipment may only be operated at temperatures above freezing.**
- ▶ **Before long-term storage (especially before winter storage) it is necessary to drain the water from the pumping equipment and dry it.**
- ▶ **If using an extension cord, be sure the extension cord is rated for the capacity of the pumping equipment.**
- ▶ **Do not leave switched on electrical equipment unattended.**
- ▶ **It is forbidden to operate this pumping equipment without water.**
- ▶ **It is forbidden to operate pumping equipment in a body of water where people and living organisms are.**
- ▶ **Always completely unwind the mains cable of the pumping equipment before use.**
- ▶ **When installing pumping equipment, make sure that the water intake holes do not enter the silt or dirt.**
- ▶ **When using, make sure that the particle size contained in the water does not exceed the maximum allowable particle size specified in the instruction manual.**
- ▶ **Keep the power cord away from heat, oil and sharp objects.**
- ▶ **Keep children, animals, or bystanders out of the work area.**
- ▶ **When disconnecting the pumping equipment from the mains, grasp the plug of the mains cable.**
- ▶ **Always disconnect the pumping equipment from the mains when you are not using it, and also:**
  - In case of any malfunctions;
  - Before immersion in water and extraction;
  - Before carrying out technical or service maintenance;
  - After the end of the work.
- ▶ **Do not use pumping equipment after it has been dropped or if it shows any signs of damage.** Contact an authorized service center to diagnose or repair the equipment.
- ▶ **If the power cable is damaged, it must be replaced by the manufacturer, his agent or similarly qualified person to avoid a hazard.** The replacement of the

network cable is carried out at an authorized service center according to the current tariff.

- ▶ **Operation and maintenance must be carried out strictly in accordance with this manual.**
- ▶ **Do not use cleaning agents that can damage the pumping equipment (gasoline and other aggressive substances).**
- ▶ **Keep children away from pumping equipment.**

**ATTENTION!** In no case should you use the pumping equipment in a state of alcoholic or drug intoxication or in other conditions that interfere with an objective perception of reality, and you should not trust the pumping equipment to people in such a state or in such conditions!

## Service

Have your power tool repaired only by qualified personnel and only with original spare parts. This ensures the safety of the power tool.

## Product description and specifications



### Read all the safety and general instructions.

Failure to observe the safety and general instructions may result in electric shock, fire and/or serious injury.

Please observe the illustrations at the beginning of this operating manual.

## Intended use

The submersible drainage pump is designed for pumping both clean and contaminated water from reservoirs, wells, open reservoirs and mines, drying boats and yachts, suitable for use in irrigation systems, as well as for pumping out waste water and the contents of septic tanks for domestic needs.

The use of the pump for other purposes is the basis for refusal of warranty repair.

## Pump device

The general view of the tool is presented on the page with illustrations.

- 1.pump
- 2.Hydraulic accumulator
- 3.connecting hose
- 4.pressure switch
- 5.manometer
- 6.pneumatic valve

## Technical data

Model	POG900-P1
Rated voltage	220 V~/50 Hz
Rated power	900 W
Performance	3.0 m <sup>3</sup> /h
lifting height	50 m
Accumulator volume	24 L
Suction depth	8 m
The weight	17 Kg

## Contents of delivery

- Self-priming Pump 1 pc.
- User manual 1 pc.

## Note

As the product is constantly being improved, P.I.T. reserves the right to make changes to the specifications and equipment of the product specified here without prior notice.

## Preparation for work

The station consists of a pump (1), a hydraulic accumulator (2), a connecting hose (3) and an automation unit, consisting of a pressure switch (4) and a pressure gauge (5). The accumulator has a food-grade rubber membrane in the inner cavity and a pneumatic valve (6) for adjusting the air pressure.

The pump has inlet (7) and outlet (8) openings, as well as filler (9) and drain (10) openings. For JS series pumps, water is filled through the pump outlet (8).

The principle of the station is that the water supply network is always under pressure. If you turn on a tap or other device, the pressure in the system will begin to drop. When the pressure drops below 0.15 MPa (1.5 atm.), The pressure switch will automatically turn on the pump, and it compensates for the water flow. When you close the tap, the pump will run for a while.

Water will fill the accumulator, and when the pressure in the system rises to the initial state of 0.3 MPa (3 atm.), The pump will automatically turn off using a pressure switch.

## Station installation and commissioning

Before connecting, be sure to check the compliance of the electrical and pressure data of the product with the parameters of your electrical and water supply network.

It is desirable that the installation and commissioning of the station be carried out by a specialized installation organization. The station should be secured to a rigid base.

To reduce noise and vibration during the op-

eration of the station, its fastening to the base should be carried out through rubber washers and gaskets.

**ATTENTION!** A prerequisite for the operation of the station is the presence of a 1" check valve at the inlet of the suction line (not included in the set).

Connect a suction pipe with a 1" check valve at the end to the station inlet (7). Connect a standpipe to the station outlet (8). The suction line is made from an incompressible hose or pipe.

**ATTENTION!** The diameter of the hose or pipe must exactly match the diameter of the pump inlet - 1 inch.

Avoid connections that narrow or widen the flow area of the hose or pipe. The installation of filter elements on the suction line is strictly prohibited.

**ATTENTION!** All connections of the suction and pressure pipelines must be tight.

Installing a suction line with a length of more than 10 meters horizontally is not advisable, as this will lead to a decrease in the suction lift. When installing the suction line, it is necessary to ensure a continuous angle of inclination from the station to the water intake source of at least one degree to the horizon, reverse angles on the suction line are not allowed.

### Electrical connection

**ATTENTION!** The electrical connection should only be carried out after all hydraulic connections have been completed. The electrical connection must be carried out by a qualified technician. The station should be installed in such a way that easy access to the electrical outlet is provided. The socket should only be used for powering the station, be grounded and connected to a high sensitivity (30 mA) differential circuit breaker. The installation location of the socket must be protected from splashing water.

**ATTENTION!** It is forbidden to operate the station with a damaged electric cable. In case of damage to the electrical cable, you must contact the service center to replace it.

### Commissioning

At the initial start-up, it is necessary to pre-fill the pump and the suction line with water through the filler hole (9). To do this, unscrew the plug and fill with water until water begins to flow out of the filler hole without air bubbles, then screw the filler plug. Before starting the station, it is necessary to check the air

pressure in the accumulator using a car pressure gauge by connecting it to the pneumatic valve (6), it should be 0.15 MPa (1.5 atm). If necessary, pump air into the accumulator using a car pump, otherwise the diaphragm may rupture.

After opening all water intake taps to remove air from the pressure line, connect the station to the power grid. The station pump will start to deliver water.

### Storage and maintenance

Be sure to flush the pump with clean water after each use.

#### Storage

**ATTENTION!** It is necessary to store the equipment at an ambient temperature of 0 ° C to + 40 ° C and a relative humidity of no more than 80% in a place inaccessible to children.

Check regularly that all screws are secure. If you find a loose screw, tighten it immediately. Otherwise, you put yourself at risk of injury.

Store and handle accessories with care.

If it is necessary to change the cord, to avoid a hazard, contact an Authorized P.I.T. Power Tool Service Center.

### Description of product date

The date of manufacture of the product is encrypted in the serial number printed on the body of the instrument. The first 2 digits indicate the year of manufacture, the next 2 digits are the month and the next 2 digits are the day.

### Recycling

When disposing of a damaged pump, take all measures to avoid harm to the environment. Do not attempt to dispose of the pump yourself. It is highly recommended that you contact the dedicated.

### Maintenance and cleaning


► **Before any work on the machine itself (e. g. maintenance, tool change, etc.) as well as during transport and storage, remove the battery from the power tool.**

There is danger of injury when unintentionally actuating the On / Off switch.

► **For safe and proper working, always keep the machine and ventilation slots clean.**

When the battery is no longer operative, please refer to an authorised after-sales service agent for P.I.T. power tools.

## Dispose of waste

 Damaged power tools, batteries, accessories and waste packaging materials must be recycled and reused in an environmentally friendly manner.

Do not throw power tools and accumulators / batteries into general household waste!

## Product serial number interpretation

No. 

17	07	30	0395
----	----	----	------

Year month day

The first and second digits of the product serial number from left to right

Year of production, the third and fourth digits indicate the month of production, the fifth and sixth digits indicate the production day.

## TERMS OF WARRANTY SERVICE

1. This Warranty Certificate is the only document that confirms your right to free warranty service. Without presenting this certificate, no claims are accepted. In case of loss or damage, the warranty certificate is not restored.

2. The warranty period for the electric machine is 12 months from the date of sale, during the warranty period the service department eliminates manufacturing defects and replaces parts that have failed due to the fault of the manufacturer free of charge. In the warranty repair, an equivalent operable product is not provided. Replaceable parts become property of service providers.

P.I.T. is not liable for any damage that may be caused by operation of the electric machine.

3. Only clean tool accompanied with the following duly executed documents: this Warranty Certificate, Warranty Card, with all fields filled out, bearing the stamp of the trade organization and the signature of the buyer, shall be accepted for warranty repair.

4. Warranty repair is not performed in the following cases:

- in the absence of a Warranty Certificate and a Warranty Card or their incorrect execution;
- with failure of both a rotor and a stator of the electric engine, charring or melting of primary winding of the welding machine transformer, charging or starting-charging device, with internal parts melting, burn down of electronic circuit boards;
- if a Warranty Certificate or a Warranty Card does not correspond to this electric machine

- or to the form established by the supplier;
- upon expiration of the warranty period;
- at attempts of opening or repair of the electric machine outside the warranty workshop; making constructive changes and lubrication of the tool during the warranty period, as evidenced, for example, by the creases on the spline parts of the fasteners of non-rotational parts.

- when using electric tools for production or other purposes connected with making a profit, as well as in case of malfunctions related to instability of the power network parameters exceeding the norms established by GOST;
- in the events of improper operation (use the electric machine for other than intended purposes, attachments to the electric machine of attachments, accessories, etc. not provided by the manufacturer);

- with mechanical damage to the case, power cord and in case of damages caused by aggressive agents and high and low temperatures, ingress of foreign objects in the ventilation grids of the electric machine, as well as in case of damage resulting from improper storage (corrosion of metal parts);

- natural wear and tear on the parts of the electric machine, as a result of long-term operation (determined on the basis of the signs of full or partial depletion of the specified mean life, great contamination, presence of rust outside and inside the electric machine, waste lubricant in the gearbox);

- use of the tool the purposes for other than specified in the operating instructions.

- mechanical damages to the tool;

- in the event of damages due to non-observance of the operating conditions specified in the instruction (see chapter "Safety Precautions" of the Manual).

- damage to the product due to non-observance of the rules of storage and transportation.

Preventive maintenance of electric machines (cleaning, washing, lubrication, replacement of anthers, piston and sealing rings) during the warranty period is a paid service.

The service life of the product is 3 years. Shelf life is 2 years. It is not recommended for operation after 2 years of storage from the date of manufacture, which is indicated in the serial number on the label of the instrument, without preliminary verification (for the definition of the date of manufacture, see the User's Manual earlier).

The owner is notified of any possible viola-

tions of the above terms of warranty service upon completion of diagnostics in the service center.

The owner of the tool entrusts the diagnostic procedure to be conducted in the service center in his absence.

Do not operate the electric machine when there are signs of excessive heat, sparking, or noise in the gearbox. To determine the cause of the malfunction, the buyer should contact the warranty service center.

Malfunctions caused by late replacement of carbon brushes of the engine are eliminated at the expense of the buyer.

5. The warranty does not cover:

- replacement accessories (accessories and components), for example: batteries, discs, blades, drill bits, borers, chucks, chains, sprockets, collet clamps, guide rails, tension and fastening elements, trimming device heads, base of grinding and belt sander machines, hexagonal heads, etc.,
- fast wearing parts, for example: carbon brushes, drive belts, seals, protective covers, guiding rollers, guides, rubber seals, bearings, toothed belts and wheels, shanks, brake belts, starter ratchets and ropes, piston rings, etc. Their replacement during the warranty period is a paid service;
- power cords, in case of damage to the insulation, power cords are subject to mandatory replacement without the consent of the owner (paid service);
- tool case.

## Русский

Указания по технике безопасности

Общие указания по технике безопасности для электроинструментов

### ПРЕДУПРЕЖДЕНИЕ



Прочтите все указания и инструкции по технике безопасности.

Несоблюдение указаний и инструкций по технике безопасности может стать причиной поражения электрическим током, пожара и тяжелых травм.

**Сохраняйте эти инструкции и указания для будущего использования.**

Использованное в настоящих инструкциях и указаниях понятие «электроинструмент» распространяется на электроинструмент с питанием от сети (с сетевым шнуром) и на аккумуляторный электроинструмент (без сетевого шнура).

### Меры предосторожности

- ▶ Не используйте насосное оборудование для любых иных целей, кроме указанных в данном руководстве.
- ▶ Не допускайте использования насосного оборудования неквалифицированными, несовершеннолетними лицами или людьми с недостаточными данными для использования насосного оборудования физическими данными. В случае передачи насосного оборудования другим лицам подробно расскажите о правилах его использования и дайте ознакомиться с настоящим руководством.
- ▶ Не используйте насосное оборудование, если есть риск возгорания или взрыва, например, вблизи легко воспламеняющихся жидкостей или газов.
- ▶ Не используйте сетевой кабель для транспортировки или крепления насоса.
- ▶ Переносите насосное оборудование, держа его за рукоятку.
- ▶ Не переносите насосное оборудование во включенном состоянии.
- ▶ Убедитесь в том, что параметры сети соответствуют параметрам, указанным на насосном оборудовании и в настоящем руководстве. Не допускайте эксплуатацию насосного оборудования без заземления.
- ▶ Все электрические соединения должны находиться в месте, защищенном от влаги.

- ▶ При работе с насосным оборудованием пользуйтесь средствами индивидуальной защиты.
- ▶ При работе рекомендуется надевать подходящую одежду, чтобы никакие части не контактировали с оборудованием. Также убедитесь, что на Вас нет ничего, что могло бы помешать работе или вызвать нежелательные последствия.
- ▶ В целях Вашей безопасности настоятельно рекомендуется работать с оборудованием, установленным на ровную поверхность.
- ▶ Категорически запрещается использовать насосное оборудование для перекачивания моторного топлива, чистящих средств и прочих химических жидкостей!
- ▶ Насосное оборудование можно эксплуатировать только при температуре выше нуля.
- ▶ Перед длительным хранением (особенно перед зимней консервацией) необходимо слить из насосного оборудования воду и просушить.
- ▶ При использовании удлинителя убедитесь, что параметры удлинителя рассчитаны на мощность насосного оборудования.
- ▶ Не оставляйте включенное электрооборудование без внимания.
- ▶ Запрещено эксплуатировать данное насосное оборудование без воды.
- ▶ Запрещено эксплуатировать насосное оборудование в водоеме, где находятся люди и живые организмы.
- ▶ Перед использованием всегда полностью разматывайте сетевой кабель насосного оборудования.
- ▶ При установке насосного оборудования убедитесь, что водозаборные отверстия не попадают в ил или грязь.
- ▶ При использовании убедитесь, что размер частиц, содержащихся в воде, не превышает максимально допустимый размер частиц, указанный в руководстве по эксплуатации.
- ▶ Держите сетевой кабель вдали от источника нагрева, масла и острых предметов.
- ▶ Не допускайте присутствия детей, животных или посторонних в рабочей зоне.
- ▶ При отключении насосного оборудования от сети держитесь за штекер

сетевого кабеля.

- ▶ Всегда отключайте насосное оборудование от сети, когда Вы его не используете, а также:
  - в случае любых неполадок;
  - перед погружением в воду и извлечением;
  - перед проведением технического или сервисного обслуживания;
  - после окончания работ.
- ▶ Не пользуйтесь насосным оборудованием после его падения или если на нем видны какие-либо следы повреждения. Обратитесь в авторизованный сервисный центр для диагностики или ремонта оборудования.
- ▶ При повреждении сетевого кабеля во избежание опасности его должен заменить изготовитель, его агент или аналогичное квалифицированное лицо. Замена сетевого кабеля осуществляется в авторизованном сервисном центре согласно действующему тарифу.
- ▶ Работа и техобслуживание должны осуществляться строго в соответствии с данным руководством.
- ▶ Не используйте чистящие средства, которые могут повредить насосное оборудование (бензин и прочие агрессивные вещества).
- ▶ Не разрешайте детям контактировать с насосным оборудованием.
- ▶ **ВНИМАНИЕ!** Ни в коем случае не следует использовать насосное оборудование в состоянии алкогольного или наркотического опьянения или в иных условиях, мешающих объективному восприятию действительности, и не следует доверять насосное оборудование людям в таком состоянии или в таких условиях!

## Сервис

- ▶ Ремонт Вашего электроинструмента поручайте только квалифицированному персоналу и только с применением оригинальных запасных частей. Этим обеспечивается безопасность электроинструмента.

## Описание продукта и услуг



Прочтите все указания и инструкции по технике безопасности.

Несоблюдение указаний по технике безопасности и инструкций может привести к поражению электрическим током, пожару и/или тяжелым травмам.

Пожалуйста, соблюдайте иллюстрации в начале руководства по эксплуатации.

## Применение по назначению

Насос погружной дренажный предназначен для перекачки как чистой, так и загрязненной воды из резервуаров, колодезев, открытых водоемов и шахт, осушки лодок и яхт, подходит для применения в системах орошения, а так же для откачивания сточных вод и содержимого септиков в рамках бытовых нужд.

Использование насоса не по назначению является основанием для отказа в гарантийном ремонте.

## Устройство насоса

Общий вид инструмента представлен на странице с иллюстрациями.

- 1.насос
- 2.гидроаккумулятор
- 3.соединительный шланг
- 4.реле давления
- 5.манометр
- 6.пневмоклапан

## Технические данные

Модель	POG900-P1
Номинальные напряжение/частота	220 В / 50 Гц
Номинальная мощность	900 Вт
Производительность	3.0 м <sup>3</sup> / ч
высота подъема	50 м
Объем гидроаккумулятора	24 L
Глубина всасывания	8 м
Вес	17 кг

## Комплект поставки

Поверхностный Насос 1 шт.  
Инструкция пользователя 1 шт.

## Примечание

Так как изделие постоянно совершенствуется, P.I.T. оставляет за собой право на внесение изменений в указанные здесь технические характеристики и комплектацию изделия без предварительного уведомления.

## Устройство и принцип работы станции

Станция состоит из насоса (1), гидроаккумулятора (2), соединительного шланга (3) и блока автоматики, состоящего из реле давления (4) и манометра (5). Гидроаккумулятор имеет во внутренней полости мембрану из пищевой резины и пневмоклапан

(6) для регулировки давления воздуха. Насос имеет входное (7) и выходное (8) отверстия, а также заливное (9) и сливное (10) отверстия. У насосов серии JS залив воды осуществляется через выходное отверстие насоса (8).

Принцип действия станции заключается в том, что водопроводная сеть всегда находится под давлением. Если Вы откроете кран или другое устройство, давление в системе начнет падать. Когда давление упадет ниже 0,15 МПа (1,5 атм.), реле давления автоматически включит насос, и он компенсирует расход воды. Когда Вы закроете кран, насос будет работать еще некоторое время.

Вода заполнит гидроаккумулятор, и, когда давление в системе возрастет до первоначального состояния 0,3 МПа (3 атм.), насос с помощью реле давления автоматически отключится.

### Монтаж станции и ввод в эксплуатацию

Перед подключением обязательно проверьте соответствие электрических и напорных данных изделия параметрам Вашей электрической и водонапорной сети.

Желательно, чтобы монтаж и ввод станции в эксплуатацию осуществлялись специализированной монтажной организацией. Станцию следует закрепить на жестком основании.

Для уменьшения шума и вибрации при работе станции, ее крепление к основанию следует выполнять через резиновые шайбы и прокладки.

**ВНИМАНИЕ!** Обязательным условием работы станции является наличие обратного клапана 1" на входе всасывающей магистрали (в комплект не входит).

Присоедините всасывающую трубу с обратным клапаном 1" на конце к входному отверстию станции (7). Присоедините напорную трубу к выходному отверстию станции (8). Всасывающая магистраль выполняется из несжимаемого шланга или трубы.

**ВНИМАНИЕ!** Диаметр шланга или трубы должен точно соответствовать диаметру входного отверстия насоса - 1 дюйм.

Исключайте соединения, сужающие или расширяющие проходное сечение шланга, или трубы. Категорически запрещается установка фильтрующих элементов на всасывающей магистрали.

**ВНИМАНИЕ!** Все соединения трубопроводов всасывающей и напорной магистралей должны быть выполнены герметично.

Монтаж всасывающей магистрали длиной более 10 метров по горизонтали не желателен, так как это приведет к уменьшению высоты всасывания. При монтаже всасывающей магистрали необходимо обеспечить непрерывный угол наклона от станции к источнику водозабора не менее одного градуса к горизонту, обратные углы на всасывающей магистрали не допускаются.

### Электроподключение

**ВНИМАНИЕ!** Электроподключение следует выполнять только после окончательного выполнения всех гидравлических соединений.

Электроподключение должно быть выполнено квалифицированным специалистом. Станцию следует устанавливать таким образом, чтобы был обеспечен легкий доступ к электрической розетке. Розетка должна использоваться только для питания станции, иметь заземление и быть подключенной к дифференциальному автоматическому выключателю высокой чувствительности (30 мА). Место установки розетки должно быть защищено от брызг воды.

**ВНИМАНИЕ!** Запрещается эксплуатировать станцию с поврежденным электрокабелем. В случае повреждения электрокабеля, для его замены необходимо обратиться в сервисный центр.

### Ввод в эксплуатацию

При первоначальном пуске необходимо предварительно залить насос и всасывающую магистраль водой через заливное отверстие (9). Для этого следует вывернуть пробку и заливать воду до тех пор, пока из заливного отверстия не начнет вытекать вода без пузырьков воздуха, после чего завернуть пробку заливного отверстия. Перед запуском станции необходимо с помощью автомобильного манометра проверить давление воздуха в гидроаккумуляторе, подсоединив его к пневмоклапану (6), оно должно быть 0,15 МПа (1,5 атм). При необходимости подкачайте воздух в гидроаккумулятор с помощью автомобильного насоса, в противном случае мембрана может разорваться.

Открыв все водозаборные краны для удаления воздуха из напорной магистрали, включите станцию в электросеть. Насос

станции начнет подавать воду.

## Хранение и техническое обслуживание

После каждого использования обязательно промывайте насос чистой водой.

### Хранение


При длительном бездействии Фекальный Насос С Измельчителем, а также в зимний период, хранение необходимо осуществлять в сухом отапливаемом помещении. Предварительно необходимо слить из него и труб остатки воды, промыть чистой водой и высушить.

Насос не требует консервации. Его следует хранить при температуре от +1°C до +35°C, вдали от нагревательных приборов и избегая попадания прямых солнечных лучей.

### Транспортировка

Транспортировать продукцию можно любым видом закрытого транспорта в упаковке производителя или без нее, с сохранением изделия от механических повреждений, атмосферных осадков.

### Утилизация

 При утилизации пришедшего в негодность насоса примите все меры, чтобы не нанести вреда окружающей среде.

Не стоит самостоятельно пытаться утилизировать насос. Настоятельно рекомендуется обратиться в специальную службу.

### РАСШИФРОВКА ДАТЫ ИЗГОТОВЛЕНИЯ ИЗДЕЛИЯ

№. 

1	7	0	7	3	0	0	3	9	5
---	---	---	---	---	---	---	---	---	---

год    месяц    день

Дата изготовления изделия зашифрована в серийном номере, напечатанном на корпусе инструмента. Первые 2 цифры обозначают год выпуска, следующие 2 цифры – месяц и следующие 2 цифры - день.

### УСЛОВИЯ ГАРАНТИЙНОГО ОБСЛУЖИВАНИЯ

1. Настоящее гарантийное свидетельство является единственным документом, подтверждающим ваше право на бесплатное гарантийное обслуживание. Без предъявления данного свидетельства претензии не принимаются. В случае утери или порчи гарантийное свидетельство не восстанавли-

вается.

2. Гарантийный срок на электроинструмент, а также зарядные устройства и аккумуляторные батареи серии OnePower составляет 12 месяцев со дня продажи, в течение гарантийного срока сервисная служба бесплатно устраняет производственные дефекты и производит замену деталей, вышедших из строя по вине изготовителя. На период гарантийного ремонта эквивалентный исправный инструмент не предоставляется. Заменяемые детали переходят в собственность служб сервиса.

Компания P.I.T. не несет ответственности за вред, который может быть причинен при работе с электроинструментом.

3. В гарантийный ремонт инструмент принимается в чистом виде, при обязательном наличии надлежащим образом оформленных документов: настоящего гарантийного свидетельства, гарантийного талона, с полностью заполненными полями, штампом торговой организации и подписью покупателя.

4. Гарантийный ремонт не производится в следующих случаях:

- при отсутствии гарантийного свидетельства и гарантийного талона или неправильном их оформлении;
- при совместном выходе из строя якоря и статора электродвигателя, при обугливание или оплавлении первичной обмотки трансформатора сварочного аппарата, зарядного или пуско-зарядного устройства, при оплавлении внутренних деталей, прожиге электронных плат;
- если гарантийное свидетельство или талон не принадлежат данному электроинструменту или не соответствует установленному поставщиком образцу;
- по истечении срока гарантии;
- при попытках самостоятельного вскрытия или ремонта электроинструмента вне гарантийной мастерской;
- внесения конструктивных изменений и смазки инструмента в гарантийный период, о чем свидетельствуют, например, заломы на шлицевых частях крепежа корпусных деталей.
- при использовании электроинструмента в производственных или иных целях, связанных с получением прибыли, а также при возникновении неисправностей связанных с нестабильностью параметров электросети, превышающих нормы, установленные ГОСТ;

- при неправильной эксплуатации (использование электроинструмента не по назначению, установки на электроинструмент не предназначенных заводом-изготовителем насадок, дополнительных приспособлений и т.п.;

- при механических повреждениях корпуса, сетевого шнура и при повреждениях, вызванных воздействиями агрессивных средств и высоких и низких температур, попадании инородных предметов в вентиляционные решетки электроинструмента, а также при повреждениях, наступивших в результате неправильного хранения (коррозия металлических частей);

- при выходе из строя электродвигателя, вследствие заклинивания крыльчатки насоса.

- при естественном износе деталей электроинструмента, в результате длительной эксплуатации (определяется по признакам полной или частичной выработки ресурса, сильного загрязнения, ржавчины снаружи и внутри электроинструмента, отработанной смазки в редукторе);

- использование инструмента не по назначению, указанному в инструкции по эксплуатации.

- при механических повреждениях инструмента;

- при возникновении повреждений в связи с несоблюдением предусмотренных инструкцией условий эксплуатации (см. главу «Указание по технике безопасности» в инструкции).

- повреждение изделия вследствие несоблюдения правил хранения и транспортировки.

Профилактическое обслуживание электроинструмента (чистка, промывка, смазка, замена пыльников, поршневых и уплотнительных колец) в гарантийный период является платной услугой.

Срок службы изделия составляет 3 года. Срок хранения – 2 года. Не рекомендуется к эксплуатации по истечении 2 лет хранения с даты изготовления, которая указана в серийном номере на этикетке инструмента, без предварительной проверки (определение даты выпуска смотрите ранее в Руководстве пользователя).

О возможных нарушениях, изложенных выше условий гарантийного обслуживания, владельцу сообщается после проведения диагностики в сервисном центре.

Владелец инструмента доверяет проведе-

ние диагностики в сервисном центре в свое отсутствие.

Запрещается эксплуатация электроинструмента при проявлении признаков повышенного нагрева, искрения, а также шума в редукторной части. Для выяснения причин неисправности покупателю следует обратиться в гарантийную мастерскую.

Неисправности, вызванные несвоевременной заменой угольных щеток двигателя, устраняются за счет покупателя.

5.Гарантия не распространяется на:

- сменные принадлежности (аксессуары и оснастка), например: аккумуляторы, диски, ножи, сверла, буры, патроны, цепи, звездочки, цанговые зажимы, шины, элементы натяжения и крепления, головки триммеров, подошвы шлифовальных и ленточных машин, фильтры, головки шестигранные сменные насадки и т.п.

- быстроизнашивающиеся детали, например: угольные щетки, приводные ремни, сальники, защитные кожухи, направляющие ролики, направляющие, резиновые уплотнения, подшипники, зубчатые ремни и колеса, стволы, ленты тормоза, храповики и тросы стартеров, поршневые кольца и т.п.

Замена их в течение гарантийного срока является платной услугой.

-шнуры питания, в случае повреждения изоляции, шнуры питания подлежат обязательной замене без согласия владельца (услуга платная), в т.ч. корпуса инструмента.

# P.I.T. WARRANTY CERTIFICATE

Product Name \_\_\_\_\_

Product Serial Number

Charger Serial Number

Sale Date \_\_\_\_\_

Trade Organization Name \_\_\_\_\_



Dear customer!

Thank you for purchasing the P.I.T. tool, and we hope that you will be satisfied with your choice. In the process of manufacturing the P.I.T. tools pass multilevel quality control, if nevertheless your product will need maintenance, please contact the authorized P.I.T. service centers.

Attention!

When buying, ask a seller to check the completeness and operability of the tool, to fill out the Warranty Certificate, the Warranty Card (the boxes shall be filled out by a seller) and to affix the seal of the trade organization in the Guarantee Certificate and the Warranty Card.

Warranty

By this Warranty Certificate, P.I.T. company guarantees the absence of defects of the production nature.

In the event any of the above defects are detected during the warranty period, the specialized P.I.T. service centers shall repair the product and replace the defective spare parts free of charge.

The warranty period for P.I.T. electric machines is 12 months from the date of sale.

“The warranty maintenance terms acknowledged and accepted. The operability and completeness of the product are checked in my presence. No claims on quality and appearance.”

Buyer's Signature \_\_\_\_\_ Surname (legibly) \_\_\_\_\_

Phone \_\_\_\_\_

**ГАРАНТИЙНОЕ СВИДЕТЕЛЬСТВО НА ИНСТРУМЕНТ P.I.T.**

Наименование изделия \_\_\_\_\_

Серийный номер изделия □□□□□□□□□□

Серийный номер зарядного устройства □□□□□□□□□□

Дата продажи « \_\_\_\_ » \_\_\_\_\_

Наименование торговой организации \_\_\_\_\_

Уважаемый покупатель!

М.П.

Благодарим Вас за покупку инструмента P.I.T. и надеемся, что Вы останетесь довольны своим выбором.

При необходимости обслуживания Вашего изделия обращайтесь в авторизованные сервисные центры P.I.T. Все сервисные центры представлены на сайте [www.pittools.ru](http://www.pittools.ru)

**Внимание!**

При покупке требуйте у продавца проверки работоспособности инструмента и его комплектности, а также заполнения гарантийного свидетельства, гарантийного талона (графы «Заполняются продавцом») и простановки печати торговой организации в гарантийном свидетельстве и гарантийных талонах.

**Гарантия**

На основании данного гарантийного свидетельства компания P.I.T. гарантирует отсутствие дефектов производственного характера.

Если в течение гарантийного срока в Вашем изделии обнаружатся указанные дефекты, то специализированные сервисные центры P.I.T. бесплатно отремонтируют изделие и заменят дефектные запасные части.

Гарантийный срок на электроинструменты P.I.T. составляет 12 месяцев со дня продажи.

«С условиями гарантийного обслуживания ознакомлен(а). Работоспособность и комплектность изделия проверены в моем присутствии. Претензий к качеству и внешнему виду не имею».

Подпись покупателя \_\_\_\_\_ Фамилия (разборчиво) \_\_\_\_\_

Телефон \_\_\_\_\_

# P.I.T. WARRANTY CARD

Name _____ Serial Number _____ Sale Date _____ 20__ Date of Receipt from Repair _____ 20__	<b>P.I.T.</b>	<b>№ 1</b>
	Name _____	
	Serial Number _____	
	Sale Date _____ 20__	
	Place of Seal	
	(Filled out by a Seller)	
	WARRANTY REPAIR CARD	
	Date of Acceptance for Repair _____ 20__	
	Application for Repair _____	
	Customer _____	
	Phone (Address) _____	
	Cause of Application _____	
Date of Receipt from Repair _____ 20__		
The Tool is checked in my presence _____		
(The Order shall be performed in a Service Center) (Signature)		

Name _____ Serial Number _____ Sale Date _____ 20__ Date of Receipt from Repair _____ 20__	<b>P.I.T.</b>	<b>№ 2</b>
	Name _____	
	Serial Number _____	
	Sale Date _____ 20__	
	Place of Seal	
	(Filled out by a Seller)	
	WARRANTY REPAIR CARD	
	Date of Acceptance for Repair _____ 20__	
	Application for Repair _____	
	Customer _____	
	Phone (Address) _____	
	Cause of Application _____	
Date of Receipt from Repair _____ 20__		
The Tool is checked in my presence _____		
(The Order shall be performed in a Service Center) (Signature)		

Name _____ Serial Number _____ Sale Date _____ 20__ Date of Receipt from Repair _____ 20__	<b>P.I.T.</b>	<b>№ 3</b>
	Name _____	
	Serial Number _____	
	Sale Date _____ 20__	
	Place of Seal	
	(Filled out by a Seller)	
	WARRANTY REPAIR CARD	
	Date of Acceptance for Repair _____ 20__	
	Application for Repair _____	
	Customer _____	
	Phone (Address) _____	
	Cause of Application _____	
Date of Receipt from Repair _____ 20__		
The Tool is checked in my presence _____		
(The Order shall be performed in a Service Center) (Signature)		

## ГАРАНТИЙНЫЙ ТАЛОН P.I.T.

P.I.T.

Талон № 1

Наименование \_\_\_\_\_  
 Серийный номер \_\_\_\_\_  
 Дата продажи « \_\_\_\_ » \_\_\_\_\_ 20\_\_ Place of Seal  
 (Заполняется продавцом)  
 КАРТА ГАРАНТИЙНОГО РЕМОНА  
 Дата приема ремонт \_\_\_\_\_ 20\_\_  
 Заявка на ремонт \_\_\_\_\_  
 Заказчик \_\_\_\_\_  
 Телефон (адрес) \_\_\_\_\_  
 Причина обращения \_\_\_\_\_  
 Дата получения от ремонта \_\_\_\_\_ 20\_\_  
 Инструмент проверен в моем присутствии \_\_\_\_\_  
 (Заказ заполняется в Сервисном Центре) (Подпись)

Наименование \_\_\_\_\_  
 Серийный номер \_\_\_\_\_  
 Дата продажи \_\_\_\_\_ 20\_\_  
 Дата получения от ремонта \_\_\_\_\_ 20\_\_

P.I.T.

Талон № 2

Наименование \_\_\_\_\_  
 Серийный номер \_\_\_\_\_  
 Дата продажи « \_\_\_\_ » \_\_\_\_\_ 20\_\_ Place of Seal  
 (Заполняется продавцом)  
 КАРТА ГАРАНТИЙНОГО РЕМОНА  
 Дата приема ремонт \_\_\_\_\_ 20\_\_  
 Заявка на ремонт \_\_\_\_\_  
 Заказчик \_\_\_\_\_  
 Телефон (адрес) \_\_\_\_\_  
 Причина обращения \_\_\_\_\_  
 Дата получения от ремонта \_\_\_\_\_ 20\_\_  
 Инструмент проверен в моем присутствии \_\_\_\_\_  
 (Заказ заполняется в Сервисном Центре) (Подпись)

Наименование \_\_\_\_\_  
 Серийный номер \_\_\_\_\_  
 Дата продажи \_\_\_\_\_ 20\_\_  
 Дата получения от ремонта \_\_\_\_\_ 20\_\_

P.I.T.

Талон № 3

Наименование \_\_\_\_\_  
 Серийный номер \_\_\_\_\_  
 Дата продажи « \_\_\_\_ » \_\_\_\_\_ 20\_\_ Place of Seal  
 (Заполняется продавцом)  
 КАРТА ГАРАНТИЙНОГО РЕМОНА  
 Дата приема ремонт \_\_\_\_\_ 20\_\_  
 Заявка на ремонт \_\_\_\_\_  
 Заказчик \_\_\_\_\_  
 Телефон (адрес) \_\_\_\_\_  
 Причина обращения \_\_\_\_\_  
 Дата получения от ремонта \_\_\_\_\_ 20\_\_  
 Инструмент проверен в моем присутствии \_\_\_\_\_  
 (Заказ заполняется в Сервисном Центре) (Подпись)

Наименование \_\_\_\_\_  
 Серийный номер \_\_\_\_\_  
 Дата продажи \_\_\_\_\_ 20\_\_  
 Дата получения от ремонта \_\_\_\_\_ 20\_\_



www.pit-tools.com

# P.I.T.

**Поставщик / производитель:** Xinjiang Longbo Industrial Co., Ltd./Синьцзян Лонгбо Индастриал Ко., Лтд.

**Адрес производства:** Rm. 602, 6th Floor, No. 531, Weixing Road, Economic And Technological Development Zone, Urumqi, Xinjiang, China / Оф.602, 6 этаж, №531, Вейшинг Роад, Экономик Энд Технолоджикал Девелопмент Зон, Урумчи, Синьцзян, Китай

**Импортер/ организация, уполномоченная принимать претензии:** ООО «Турбо-Тулс»

**Юридический адрес:** 117246, г. Москва, ул. Херсонская, 43 - 670

**Вопросы и предложения направляйте по адресу:** 614058, г. Пермь, ул. Фоминская, 36

**Горячая линия по сервисному обслуживанию:**



**\* 2445**

Звонок с мобильного  
бесплатный

[info@pittools.ru](mailto:info@pittools.ru)

Сделано в КНР / Made in China

